

---

# GENERAL CATALOGUE

---

PREMIUM HYDRAULIC VALVES





## GENERAL TERMS

### 1. Technical Modifications

Technical specifications and drawings are subject to change without notice.

### 2. Warranty

Products are covered by warranty for a period of 12 months with effect from the date of shipment from OMPI srl premises.

### 3. Jurisdiction

Sole jurisdiction for the settlement of any disputes involving OMPI srl lies with the Law Court of Reggio Emilia, Italy.

## TECHNICAL SPECIFICATIONS

### 1. Seals

Standard seals are made of Acryl-Nitrile Butadiene NBR (BUNA-N), their working temperature range is between -20°C and +90°C.

### 2. Storage

Valves are supposed to be stored in their original packing and not exposed to the direct sun light or sources of heat or ozone.

Recommended storage temperature is between -10°C and +50°C.

### 3. Fluid Filtration

Statistically over 70% of the hydraulic failures are due to fluid contamination.

We recommend the following filtration levels:

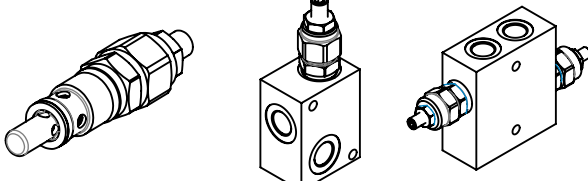
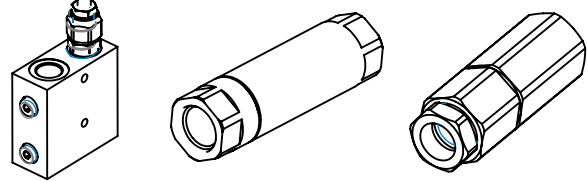
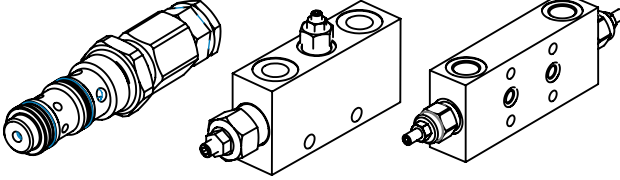
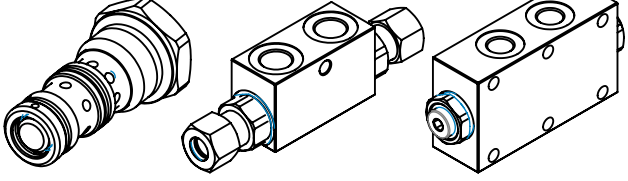
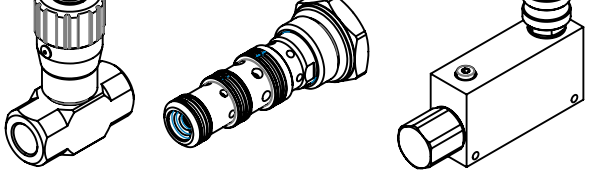
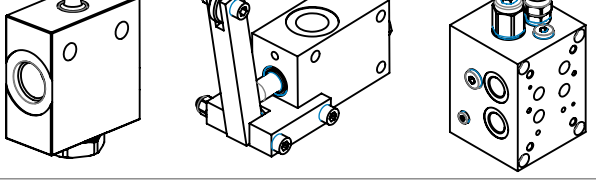
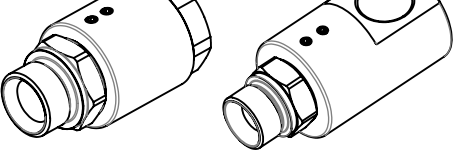
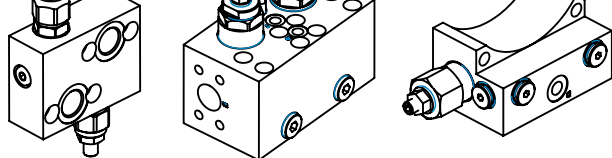
SYSTEM WORKING PRESSURE	NOMINAL FILTRATION	CONTAMINATION CLASS
> 250 bar	10 µm	<b>ISO 4406:</b> 17/14 <b>NAS 1638:</b> 8
between 100-250 bar	15 µm	<b>ISO 4406:</b> 18/14 <b>NAS 1638:</b> 9
< 100 bar	25 µm	<b>ISO 4406:</b> 19/15 <b>NAS 1638:</b> 10-11

### 4. Internal Leakage

Under the normal run of things our valves have a leak proof seat design allowing a max leakage of 15/20 drops per minute with 46 cSt oil at 40°C. Leakages tend to decrease considerably or vanish totally after few seconds of rest of the valve.

### 5. Pressure Setting

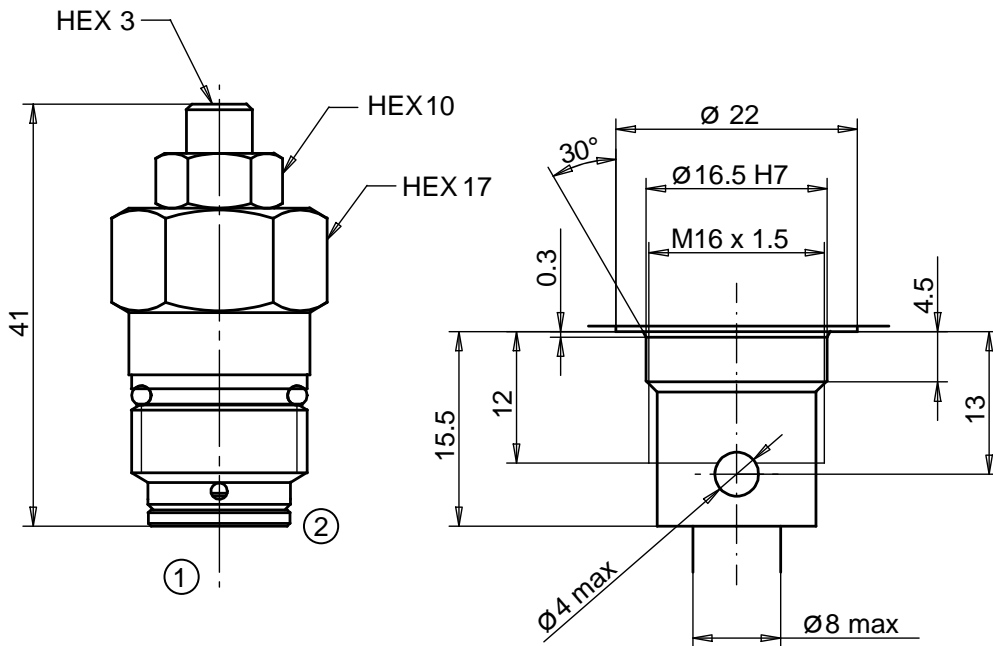
Basically valves are set at standard values. Whenever the application requires a specific setting make sure not to exceed the pressure range indicated.

SECTION		PAGE
<b>PRESSURE CONTROL VALVES</b>		<b>005/00</b>
<b>SEQUENCE VALVES</b>		<b>041/00</b>
<b>COUNTERBALANCE VALVES</b>		<b>050/00</b>
<b>CHECK VALVES</b>		<b>070/00</b>
<b>FLOW CONTROL VALVES</b>		<b>120/00</b>
<b>SPECIAL APPLICATIONS</b>		<b>150/00</b>
<b>SWIVEL JOINTS</b>		<b>160/00</b>
<b>MOTOR MOUNTED VALVES</b>		<b>170/00</b>

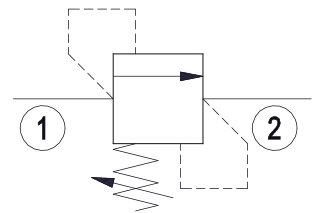


SECTION		PAGE
<b>CETOP VALVES</b>		<b>200/00</b>
<b>ROTATION CONTROL VALVES</b>		<b>210/00</b>
<b>MOTION CONTROL VALVES</b>		<b>220/00</b>
<b>REGENERATIVE CIRCUIT VALVES</b>		<b>230/00</b>
<b>PURGE VALVES</b>		<b>240/00</b>
<b>DIRECTIONAL CONTROL VALVES</b>		<b>250/00</b>
<b>FLOW SELECTORS</b>		<b>260/00</b>
<b>ANCILLARY PRODUCTS</b>		<b>285/00</b>

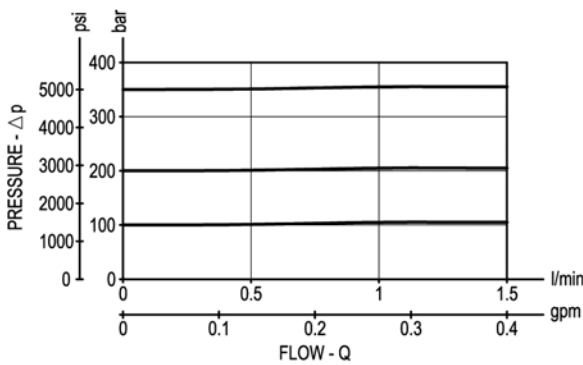
Dimensions



Hydraulic Symbol



Curves



Features

Max Pressure	400 bar
Max Flow	1,5 lpm
Installation torque	35-44 Nm


**Materials:** Zinc plated steel cartridge, hardened steel inner parts.

Ordering Code

PRC 1 -- -

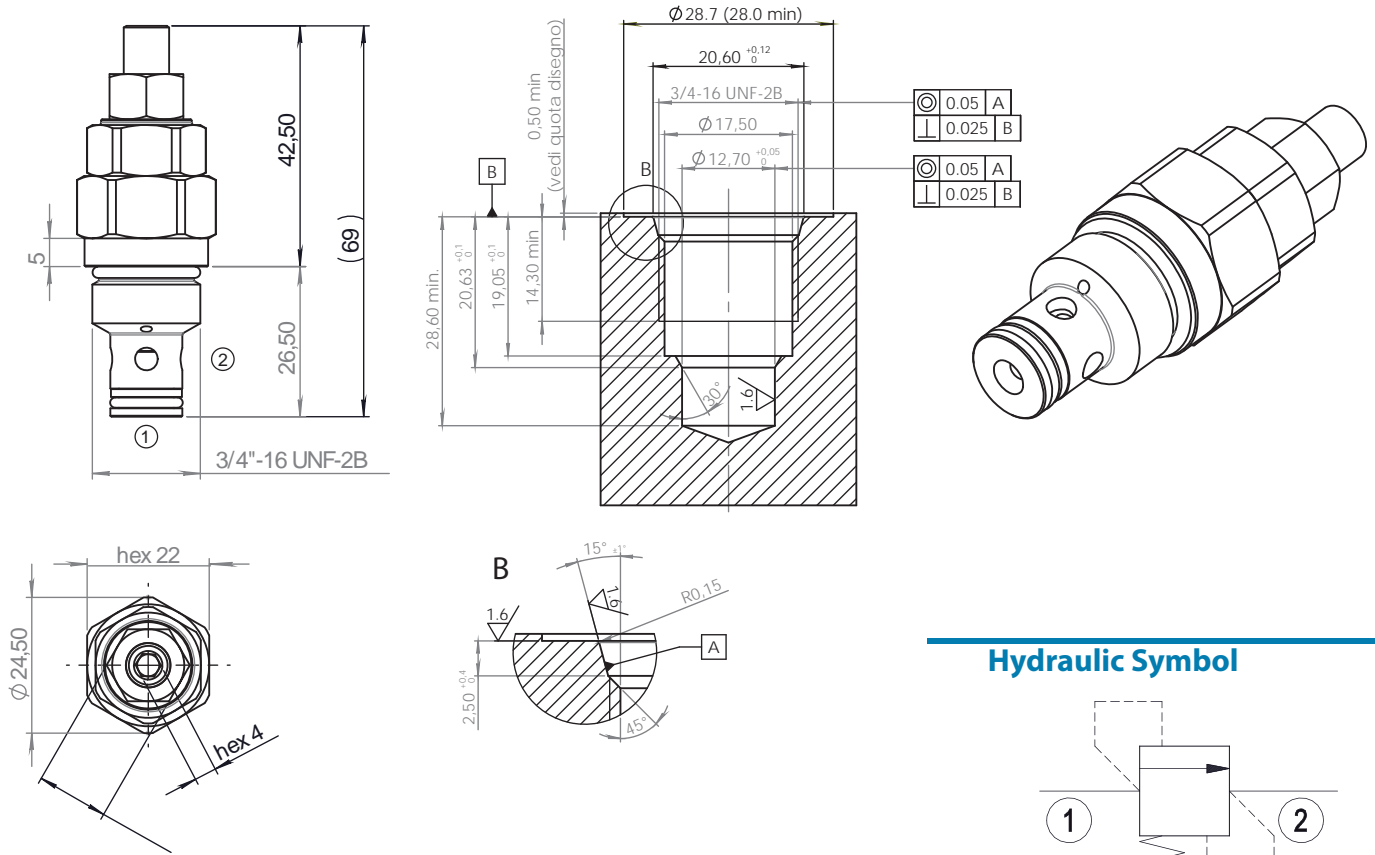
	Spring (bar)
20	100-210
30	200-400

Adjustments

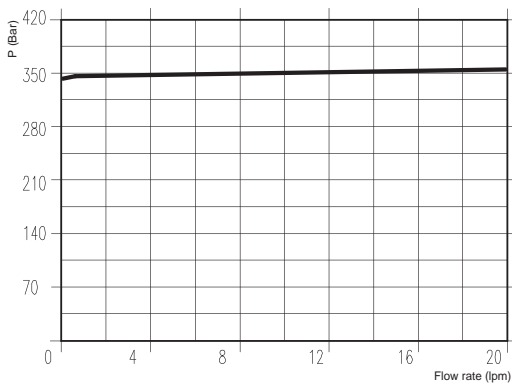
A	 Socket Screw
---	--

Ordering Code Example: PRC120A = 100-210 bar setting range, Socket Screw adjustment.

Dimensions



Curves



Features

Max Flow	20 lpm
Max Pressure	350 bar
Installation Torque	45-50 Nm

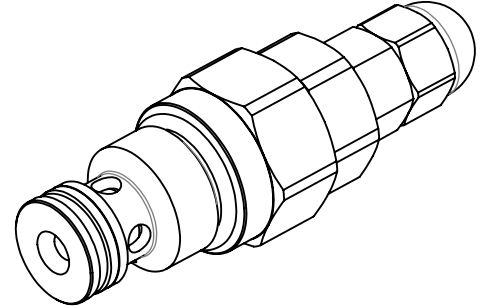
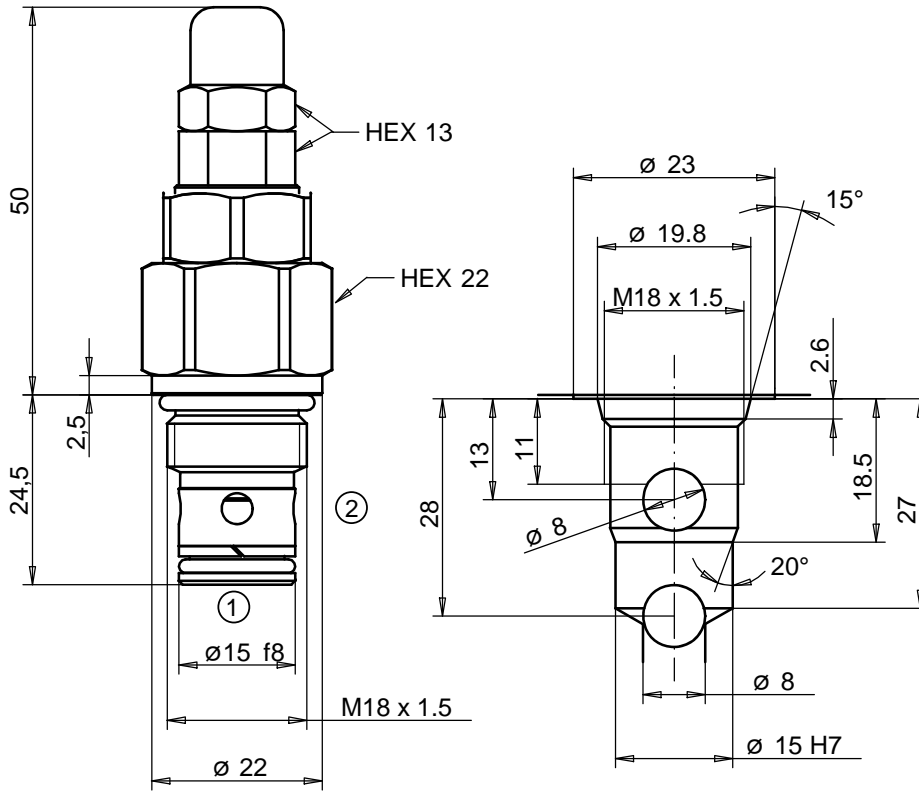
**Materials:** Zinc plated steel cartridge, hardened steel inner parts.

Ordering Code

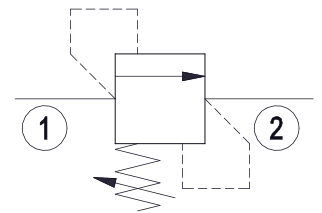
PRC 20		--	-
	Spring (bar)		Adjustments
10	5-100	A	Socket Screw
30	50-350		

**Ordering Code Example:** PRC2030A = 50-350 bar setting range, Socket screw adjustment.

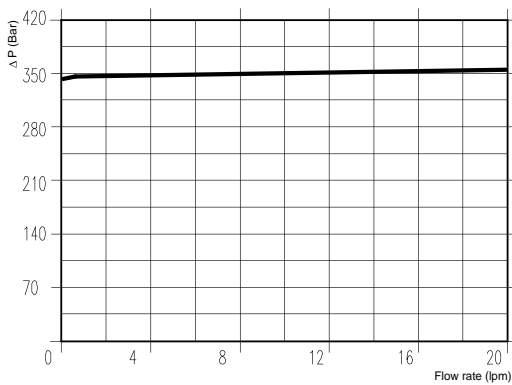
Dimensions



Hydraulic Symbol



Curves



Features

Max Pressure	350 bar
Max Flow	20 lpm
Installation torque	35-40 Nm

**Materials:** Zinc plated steel cartridge, hardened steel inner parts.

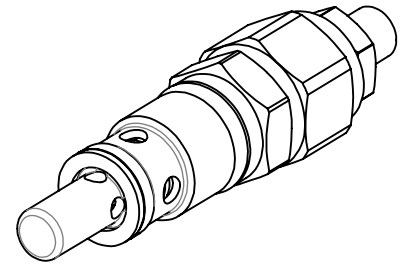
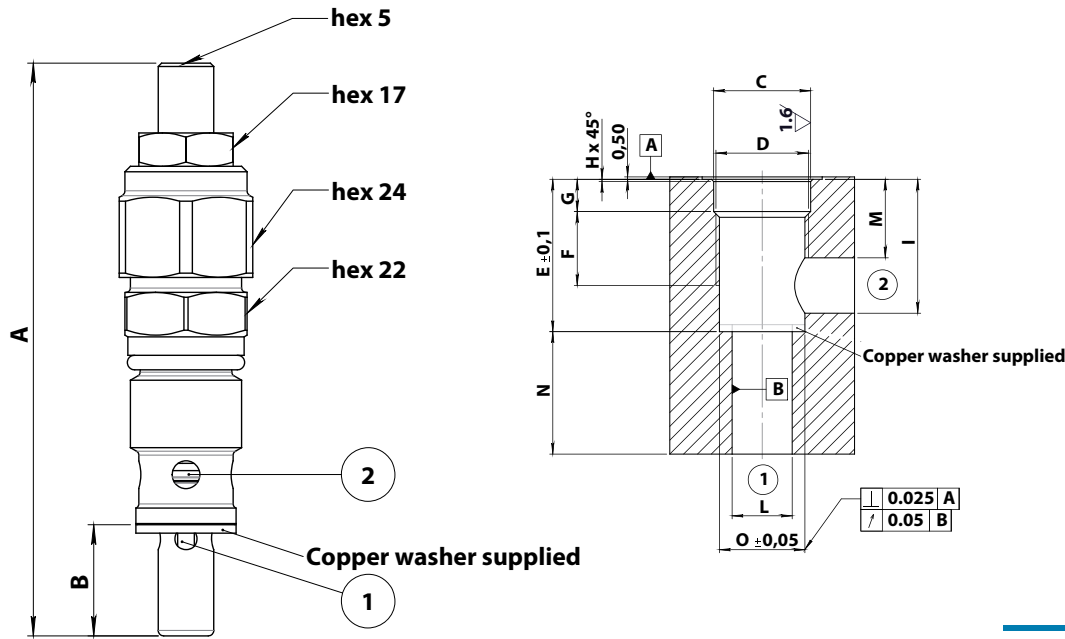
Ordering Code

PRC 20M18 --

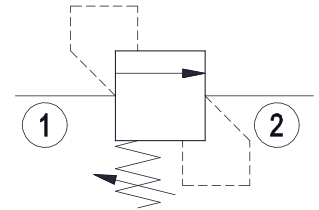
	Spring (bar)
10	5-50
30	10-210

**Ordering Code Example:** PRC20M1830 = 10-210 bar setting range, Socket Screw adjustment.

Dimensions

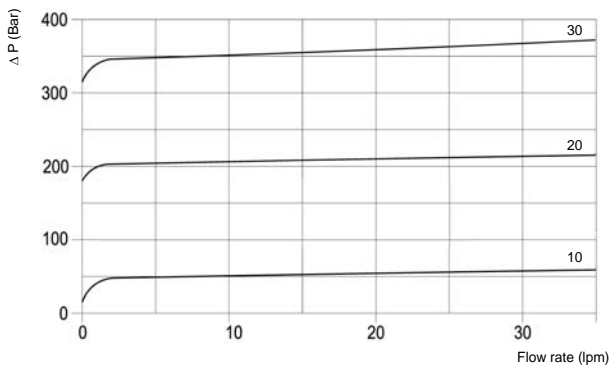


Hydraulic Symbol



Size	A max	B	C	D	E	F	G	H	I max	L max	M max	N min	O min	Weight kg
35	103	20	21 H7	M20x1,5	33	16	7	0,5	29	13	17	20	18,5	0,16

Curves



Features

Rated Flow	35 lpm
Max Pressure	350 bar
Installation Torque	45-50 Nm

**Materials:** Zinc plated steel cartridge, hardened steel inner parts.

Ordering Code

PRC 35

--

-

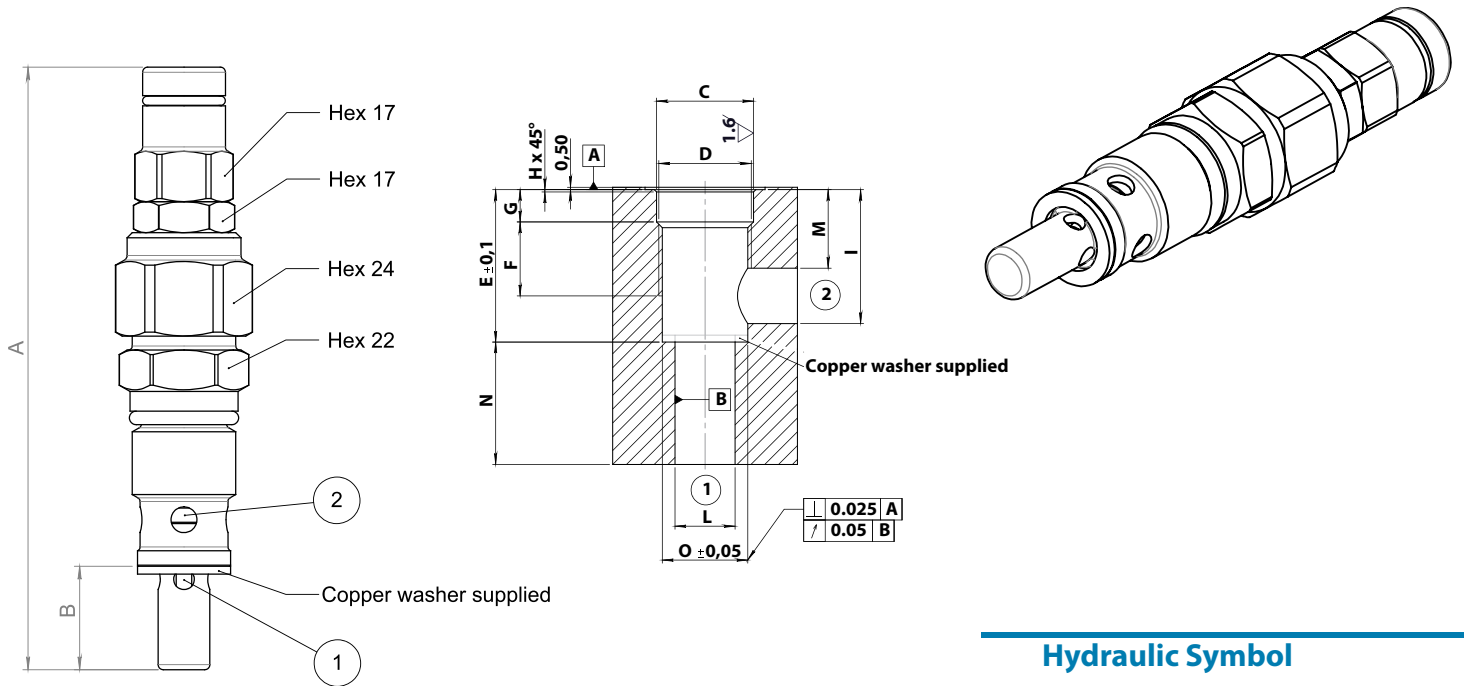
	Spring (bar)
10	5-50
20	40-210
30	100-350

Adjustments

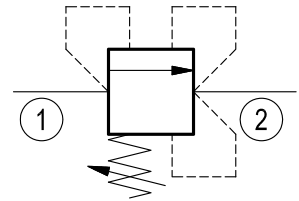
A		Socket Screw
B		Handknob
C		Tamperproof Cap

**Ordering Code Example:** PRC3520A - 40-210 bar setting range, Socket screw adjustment.

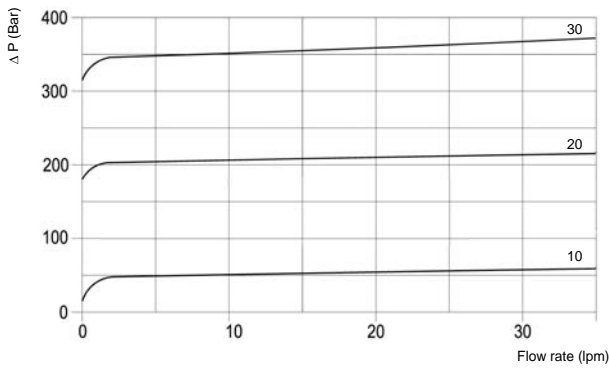
Dimensions



Hydraulic Symbol



Curves



Features

Rated Flow	35 lpm
Max Pressure	350 bar
Installation Torque	45-50 Nm

**Materials:** Zinc plated steel cartridge, hardened steel inner parts.

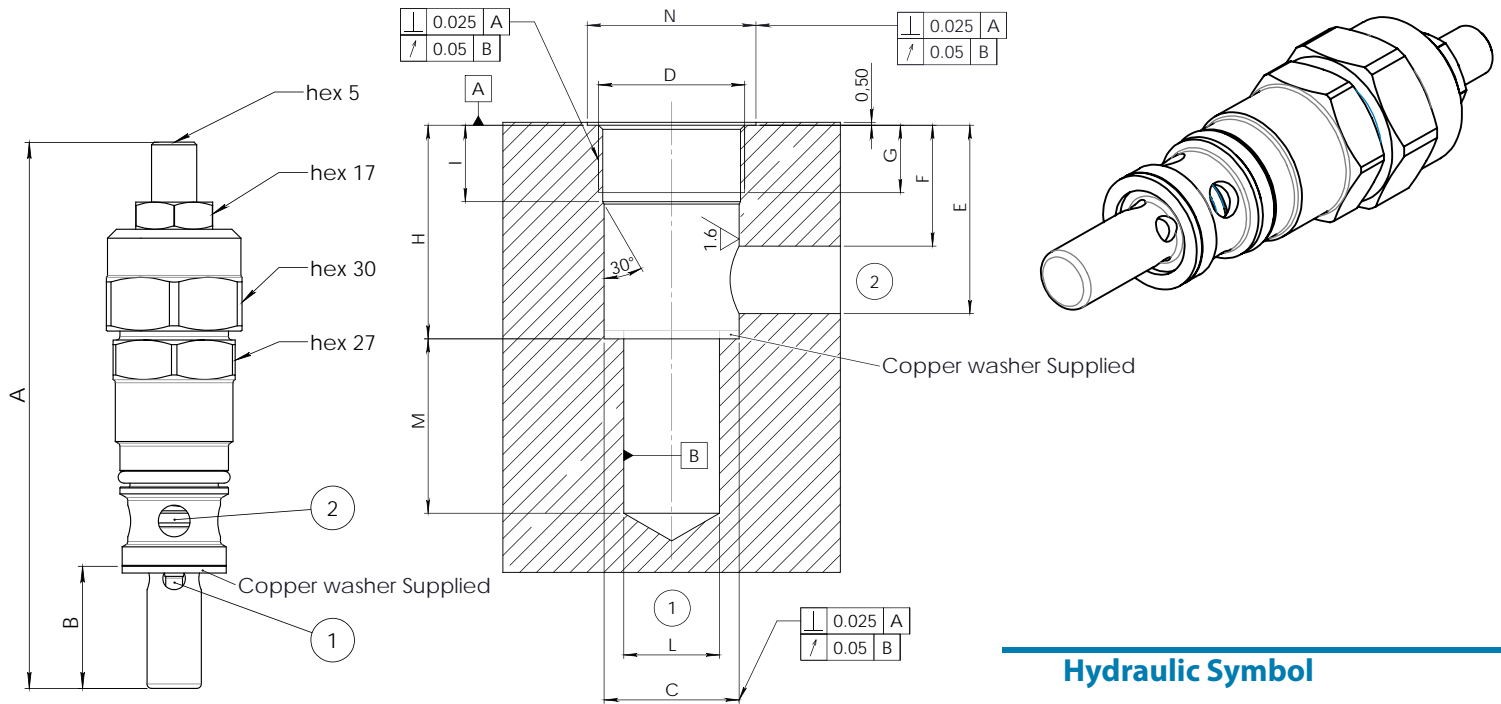
Ordering Code

PRC 35CC --

	Spring (bar)
10	5-50
20	40-210
30	100-350

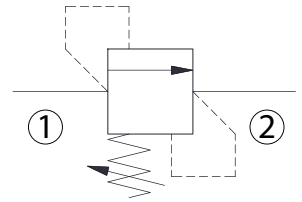
Ordering Code Example: PRC35CC20 - 40-210 bar setting range.

Dimensions

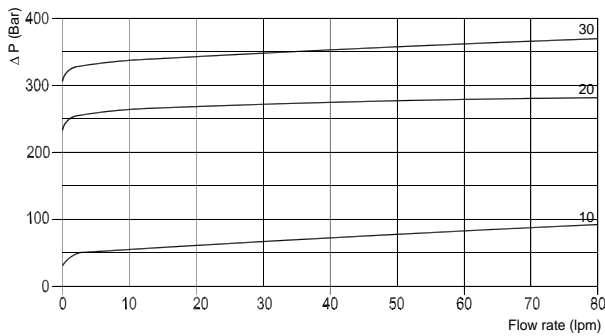


Size	A max	B	C	D	E	F	G	H	I	L	M min	N	Weight kg
80	120	27	24 H7	M26x1,5	33,5	21,5	12	38	13,6	17	28	30	0,29

Hydraulic Symbol



Curves



Features

Rated Flow	80 lpm
Max Pressure	350 bar
Installation Torque	70-80 Nm

**Materials:** Zinc plated steel cartridge, hardened steel inner parts.

Ordering Code

PRC 80 -- -

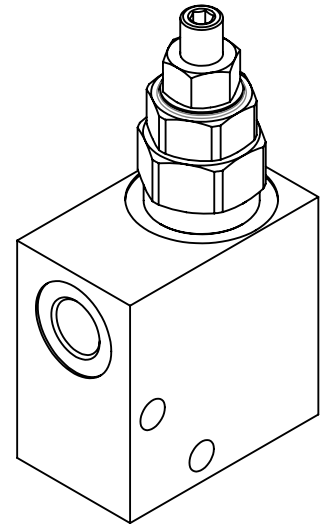
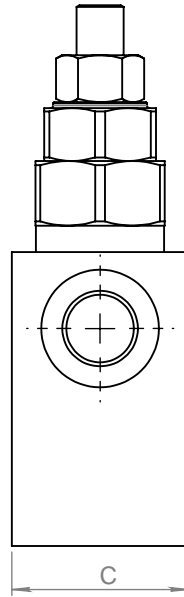
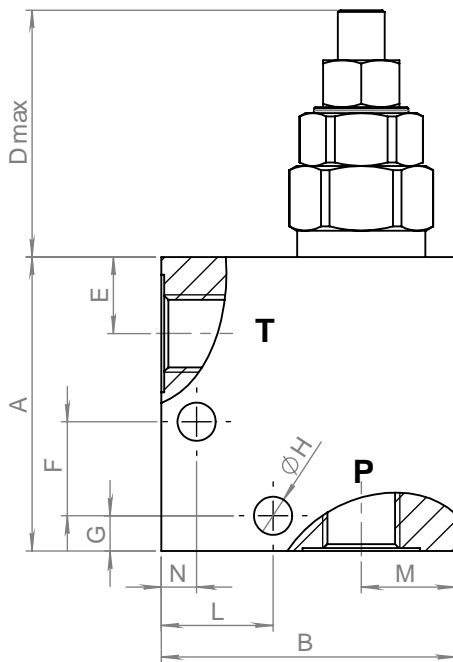
	Spring (bar)
10	5-50
20	30-260
30	130-350

Adjustments

A		Socket Screw
B		Handknob
C		Tamperproof Cap

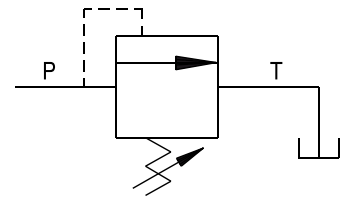
**Ordering Code Example:** PRC8020A - 30-260 bar setting range, Socket screw adjustment.

### Dimensions

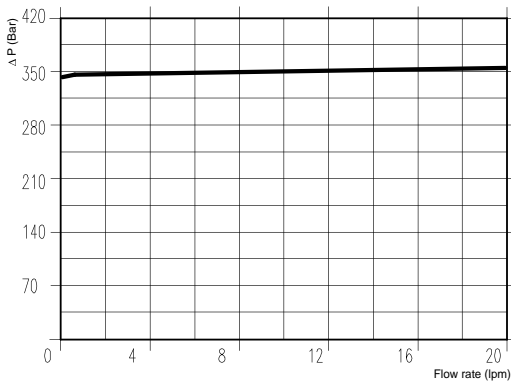


Size	A	B	C	D	E	F	G	H	L	M	N	P-T BSP	Weight kg
<b>01</b>	50	50	30	40	13	16	6	6,5	19	16	6	1/4	0,53
<b>02</b>	50	50	30	40	13	16	6	6,5	19	16	6	3/8	0,51

### Hydraulic Symbol



### Curves



### Features

<b>Rated Flow</b>	20 lpm
<b>Max Pressure</b>	350 bar

**Materials:** Zinc plated steel cartridge, hardened steel inner parts.  
Aluminium manifold.

### Ordering Code

**PRL 20**    --    --    -

Port Size BSP		Spring (bar)	
<b>01</b>	1/4	<b>10</b>	5-100
<b>02</b>	3/8	<b>30</b>	50-350

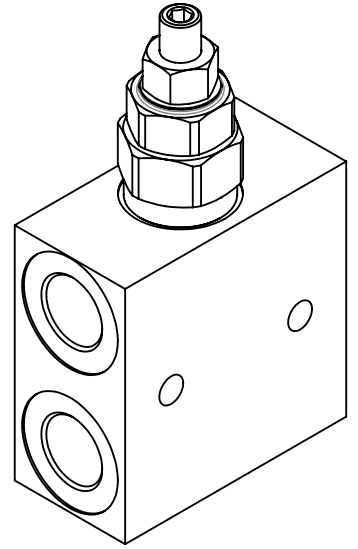
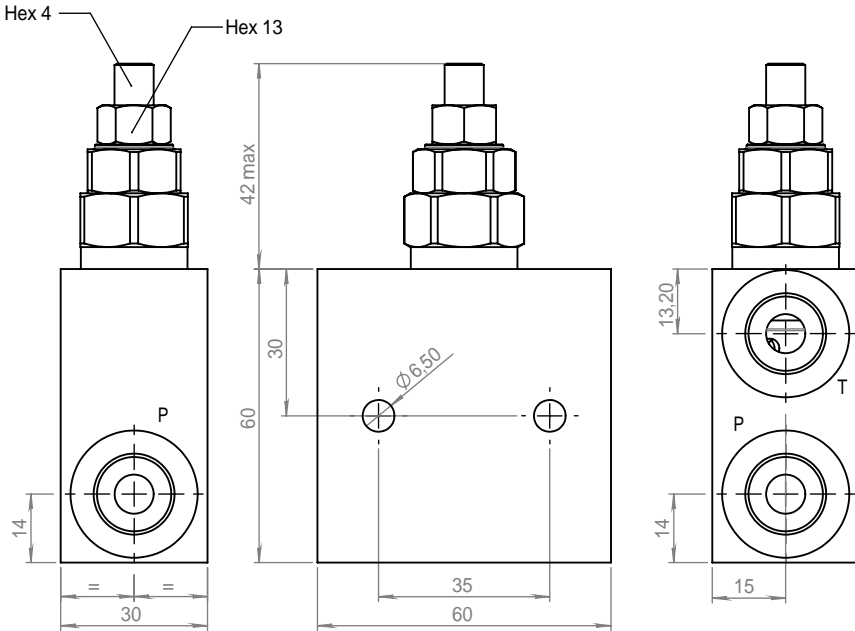
### Adjustments

<b>A</b>		Socket Screw
----------	--	--------------

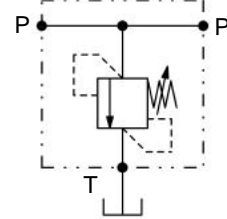
**Ordering Code Example:** PRL200230A - 3/8 BSP - 50-350 bar setting range, Socket screw adjustment.



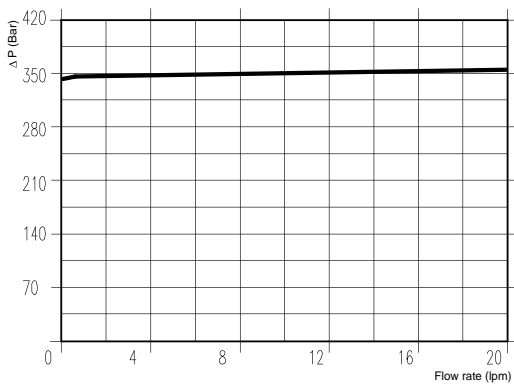
Dimensions



Hydraulic Symbol



Curves



Features

Max Pressure	350 bar
Max Flow	20 lpm

**Materials:** Zinc plated steel cartridge, hardened steel inner parts.  
Aluminium manifold.

Ordering Code

PRL 20LN -- -- -

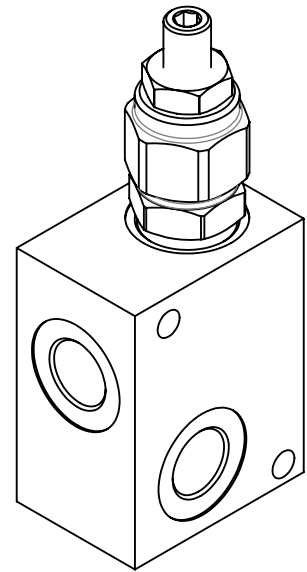
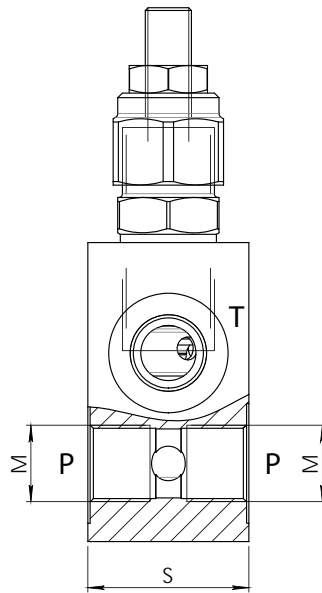
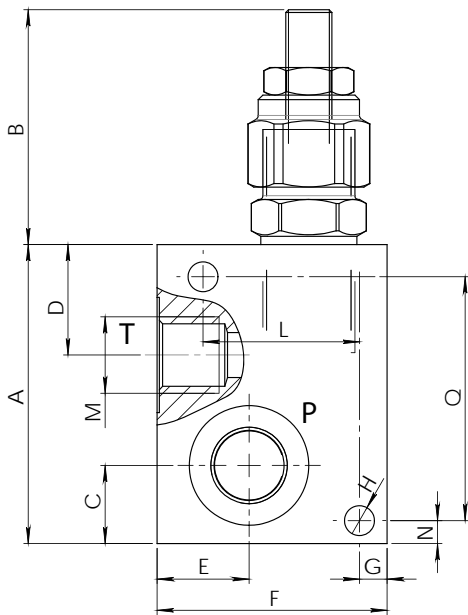
Port Size BSP		Spring (bar)	
02	3/8	10	5-100
		30	50-350

Adjustments

A		Socket Screw
---	--	--------------

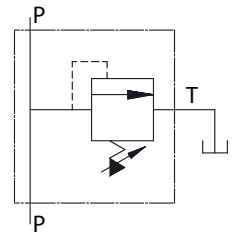
Ordering Code Example: PRC20LN0230A = 3/8 Port Size - 50- 350 bar setting range, Socket screw adjustment.

### Dimensions

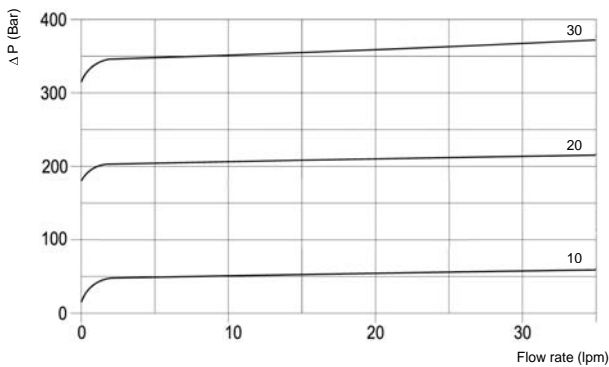


Size	A	B	C	D	E	F	G	H	L	M BSP	N	Q	S	Weight kg
01										1/4				
02	65	51	17	24	20	50	6	6,5	34	3/8	6	53	35	0,40
03	65	51	17	24	20	50	6	6,5	34	1/2	6	53	35	0,38

### Hydraulic Symbol



### Curves



### Features

Rated Flow	35 lpm
Max Pressure	350 bar

**Materials:** Zinc plated steel cartridge, hardened steel inner parts.  
Aluminium manifold.

### Ordering Code

**PRL 35** -- -- -

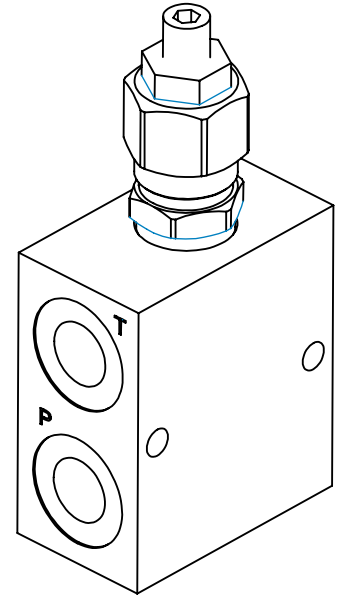
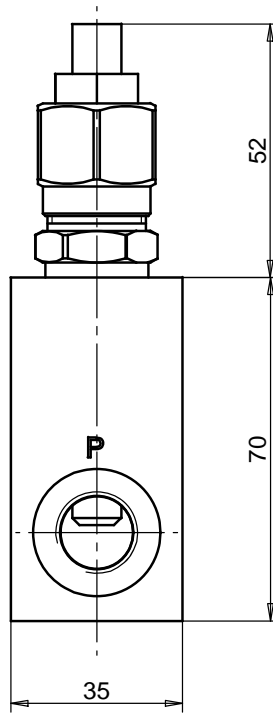
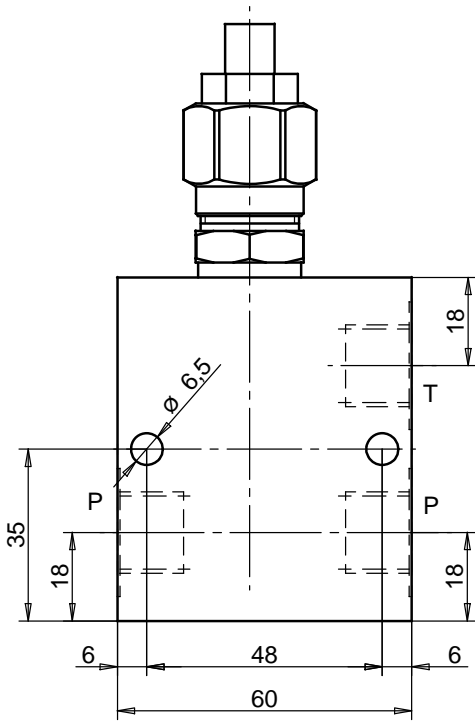
Port Size BSP		Spring (bar)	
02	3/8	10	5-50
03	1/2	20	40-210
		30	100-350

### Adjustments

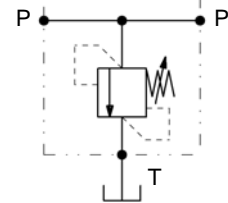
A		Socket Screw
B		Handknob
C		Tamperproof Cap

**Ordering Code Example:** PRL350220A = 3/8 Port Size - 40-210 bar setting range, Socket screw adjustment.

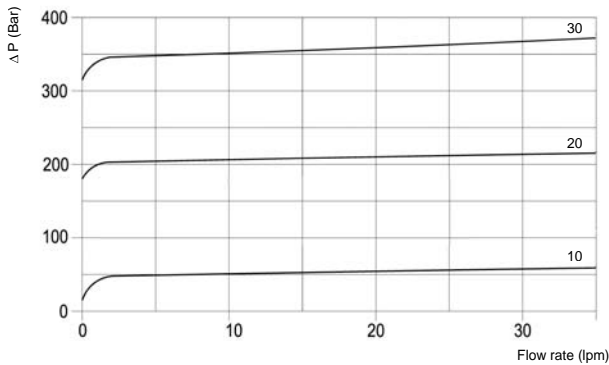
### Dimensions



### Hydraulic Symbol



### Curves



### Features

Max Flow	35 lpm
Max Pressure	350 bar

**Materials:** Zinc plated steel cartridge, hardened steel inner parts.  
Aluminium manifold.

### Ordering Code

**PRL 350S** -- -- -

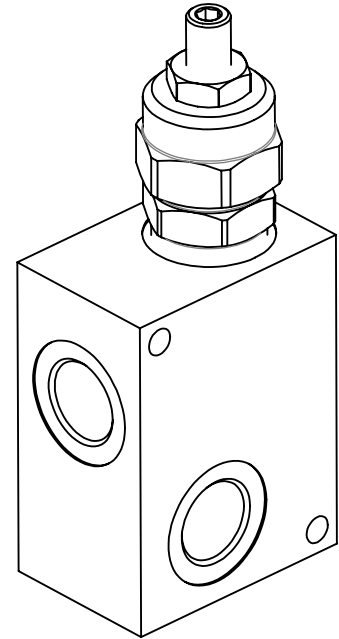
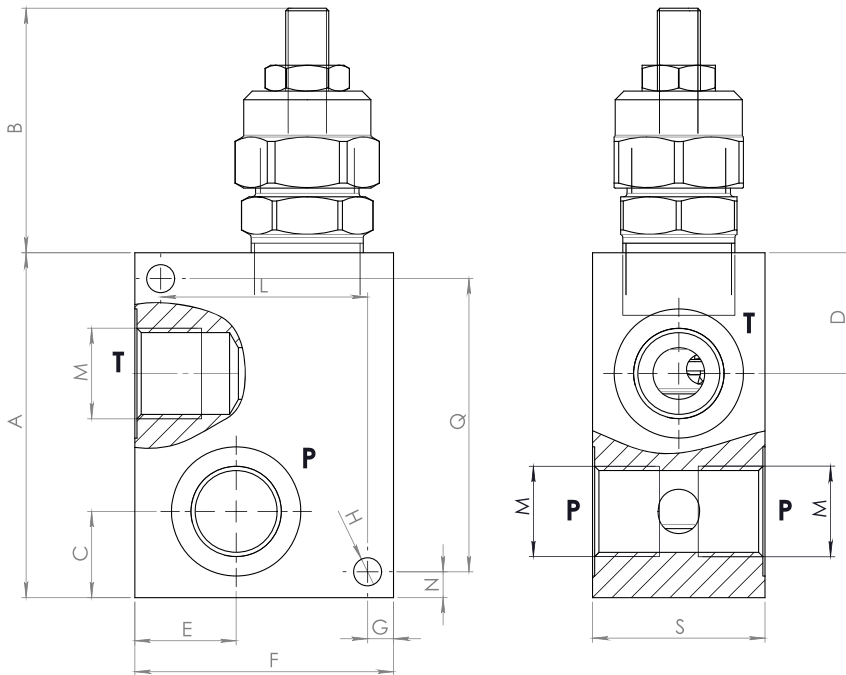
Port Size BSP		Spring (bar)	
<b>02</b>	3/8	<b>10</b>	5-50
		<b>20</b>	40-210
		<b>30</b>	100-350

### Adjustments

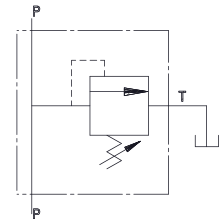
<b>A</b>		Socket Screw
<b>B</b>		Handknob
<b>C</b>		Tamperproof Cap

**Ordering Code Example:** PRL350S0220A = 3/8 Port Size - 40-210 bar setting range, Socket screw adjustment.

### Dimensions

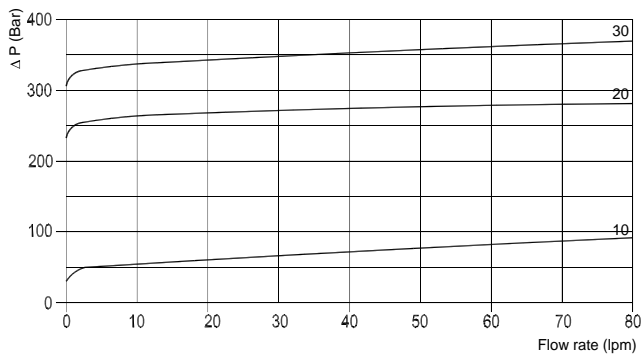


### Hydraulic Symbol



Size	A	B max	C	D	E	F	G	H	L	M BSP	N	Q	S	Weight kg
<b>03</b>	80	57	20	28	23,5	60	6	6,5	48	1/2	6	68	40	0,70
<b>04</b>	80	57	20	28	23,5	60	6	6,5	48	3/4	6	68	40	0,67

### Curves



### Features

<b>Rated Flow</b>	80 lpm
<b>Max Pressure</b>	350 bar

**Materials:** Zinc plated steel cartridge, hardened steel inner parts.  
Aluminium manifold.

### Ordering Code

**PRL 80**    --    --    -

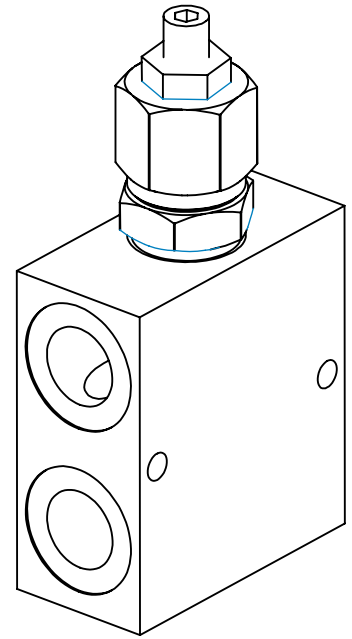
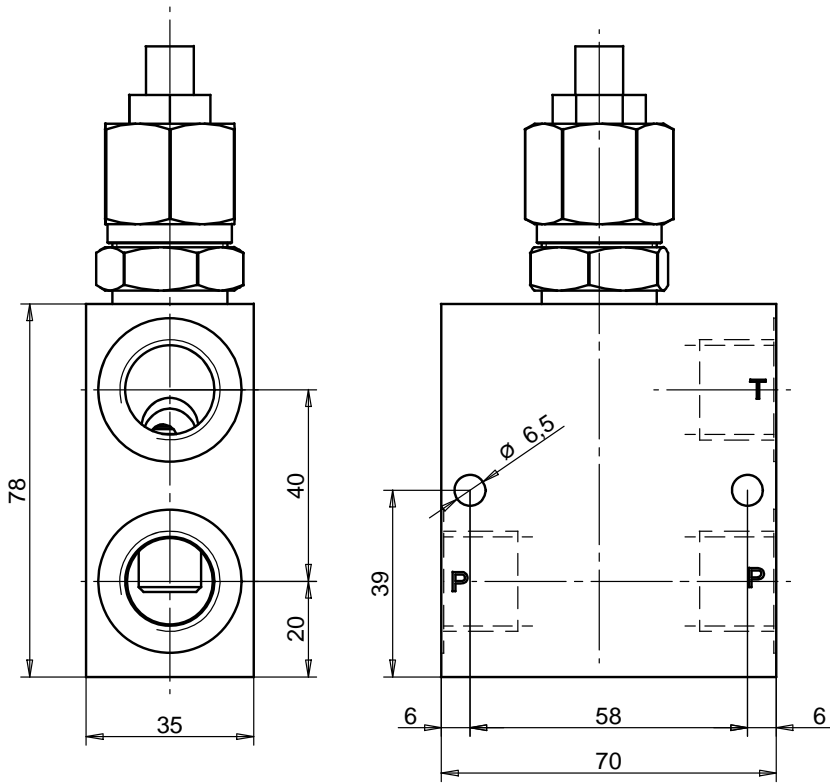
Port Size BSP		Spring (bar)	
<b>03</b>	1/2	<b>10</b>	5-50
<b>04</b>	3/4	<b>20</b>	30-260
		<b>30</b>	130-350

### Adjustments

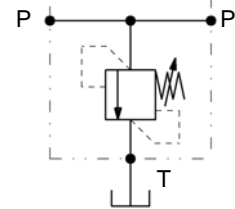
<b>A</b>		Socket Screw
<b>B</b>		Handknob
<b>C</b>		Tamperproof Cap

**Ordering Code Example:** PRL800420A = 3/4 Port Size - 30-260 bar setting range, Socket screw adjustment.

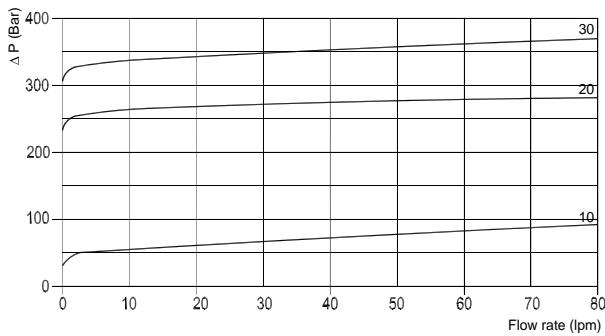
Dimensions



Hydraulic Symbol



Curves



Features

Max Flow	80 lpm
Max Pressure	350 bar

**Materials:** Zinc plated steel cartridge, hardened steel inner parts.  
Aluminium manifold.

Ordering Code

PRL 800S -- -- -

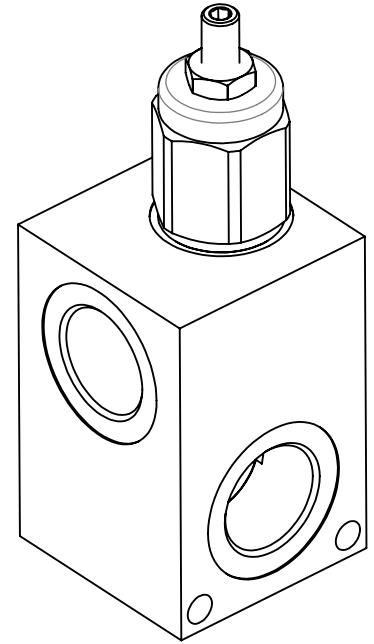
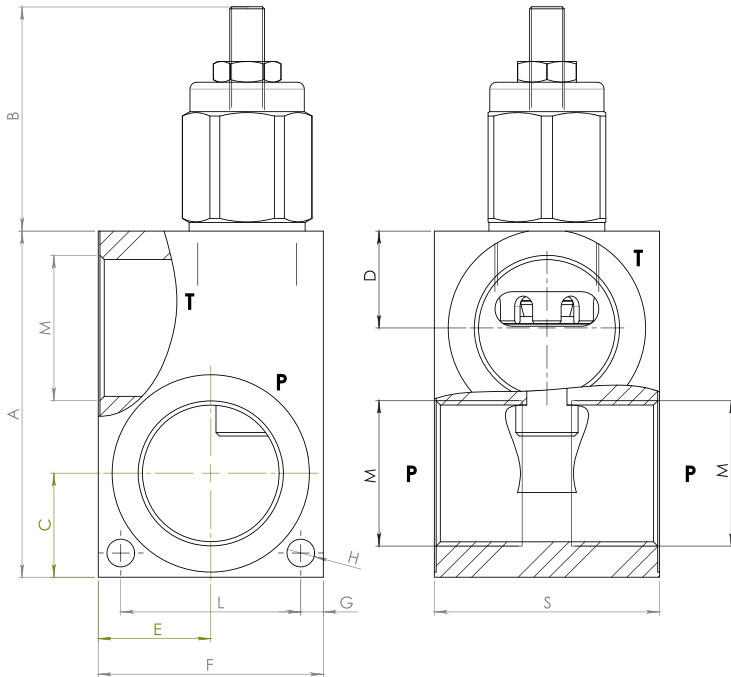
Port Size BSP		Spring (bar)	
03	1/2	10	5-50
		20	30-260
		30	130-350

Adjustments

A		Socket Screw
B		Handknob
C		Tamperproof Cap

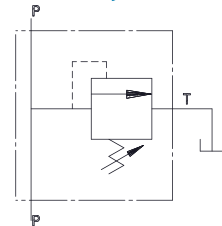
**Ordering Code Example:** PRL800S0320A = 1/2 Port Size - 30-260 bar setting range, Socket screw adjustment.

### Dimensions

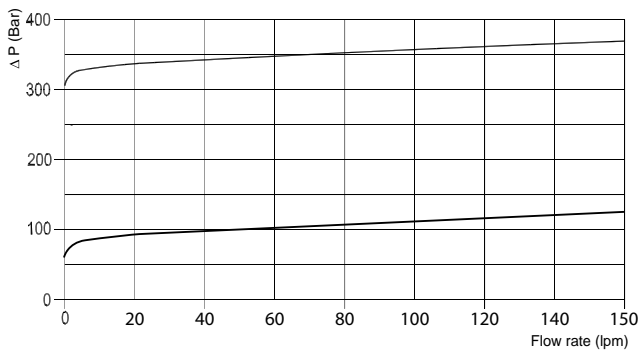


Size	A	B max	C	D	E	F	G	H	L	M BSP	N	S	Weight kg
05	100	65	30	28	32,5	65	6,5	8	52	1	7	65	2,86
06	100	65	30	28	32,5	65	6,5	8	52	1 1/4	7	65	2,54

### Hydraulic Symbol



### Curves



### Features

Rated Flow	150 lpm
Max Pressure	350 bar

**Materials:** Zinc plated steel cartridge, hardened steel inner parts. Steel manifold.

### Ordering Code

**PRL 150** -- -- -

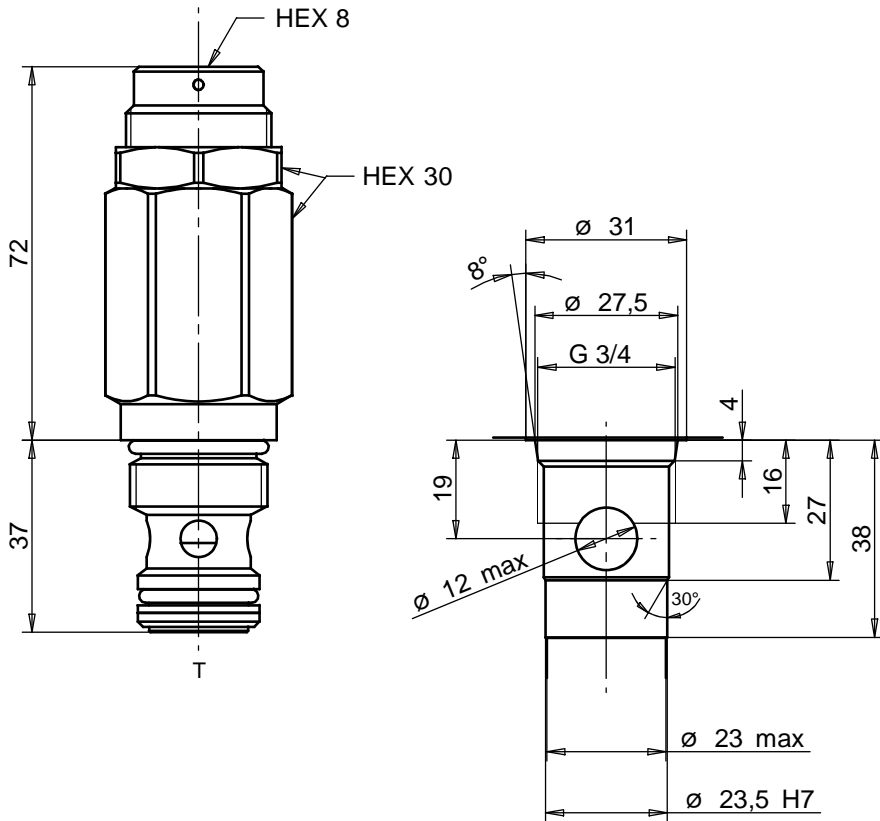
Port Size BSP		Spring (bar)	
05	1	10	5-120
06	1 1/4	30	50-350

### Adjustments

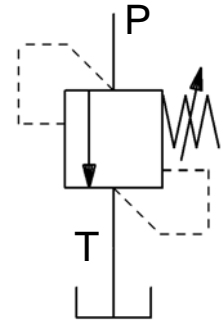
A		Socket Screw
B		Handknob
C		Tamperproof Cap

**Ordering Code Example:** PRL1500530A = 1 BSP Port Size - 50-350 bar setting range, Socket screw adjustment.

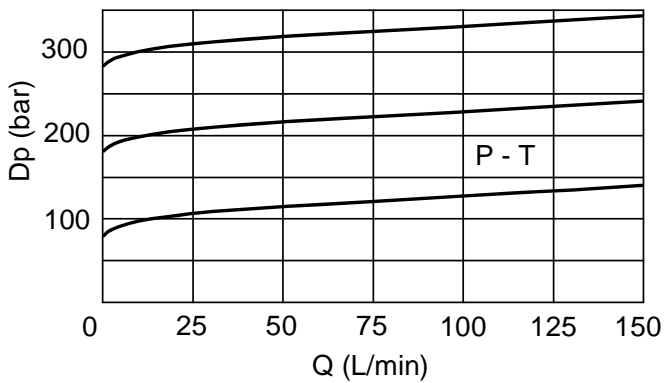
## Dimensions



## Hydraulic Symbol



## Curves



## Features

Max Flow	150 lpm
Max Pressure	350 bar
Installation torque	150-160 Nm

**Materials:** Zinc plated steel cartridge, hardened steel inner parts.

## Ordering Code

PRCD 150

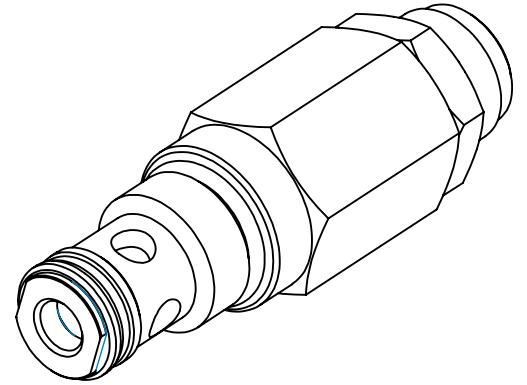
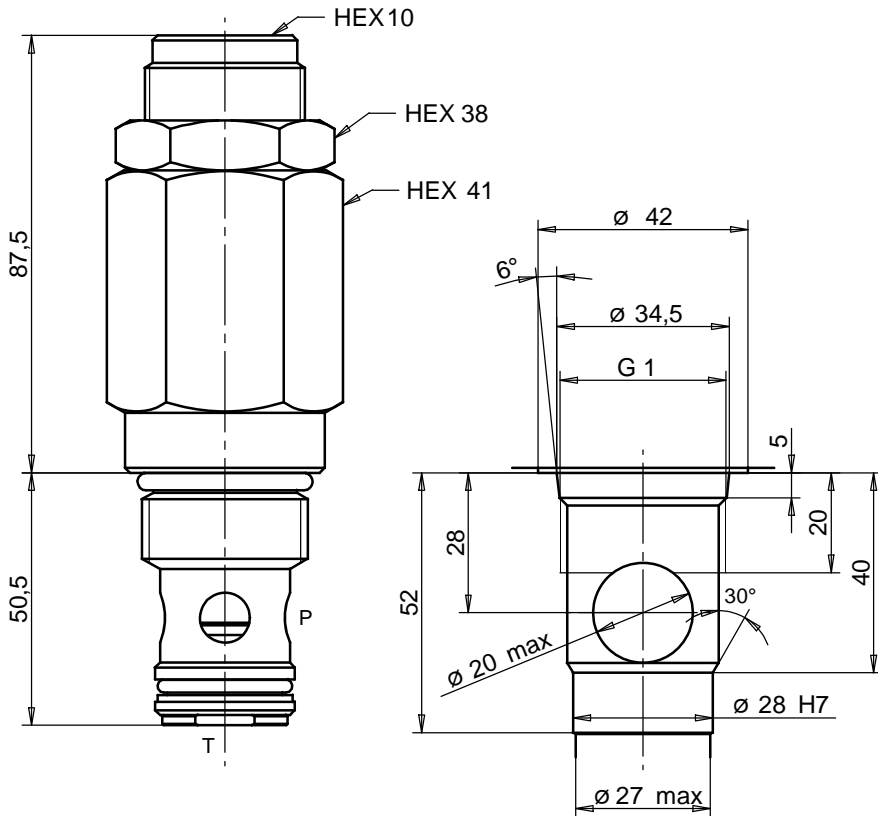
--

Spring (bar)

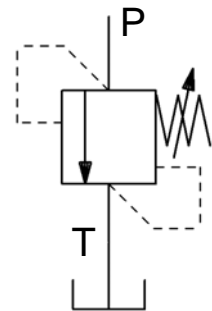
30

100-350

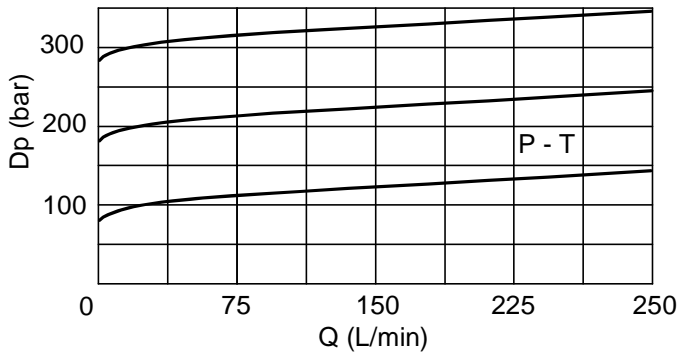
Dimensions



Hydraulic Symbol



Curves



Features

Max Flow	240 lpm
Max Pressure	350 bar
Installation torque	200-230 Nm

**Materials:** Zinc plated steel cartridge, hardened steel inner parts.

Ordering Code

PRCD 250

--

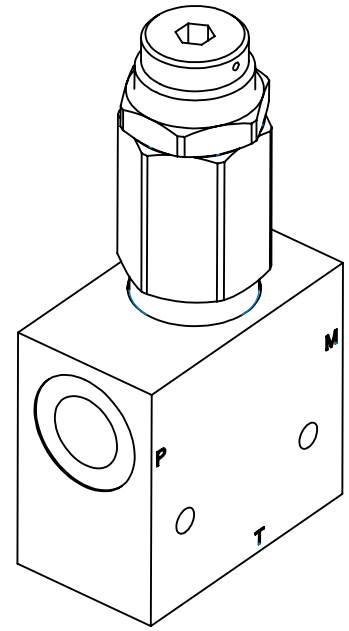
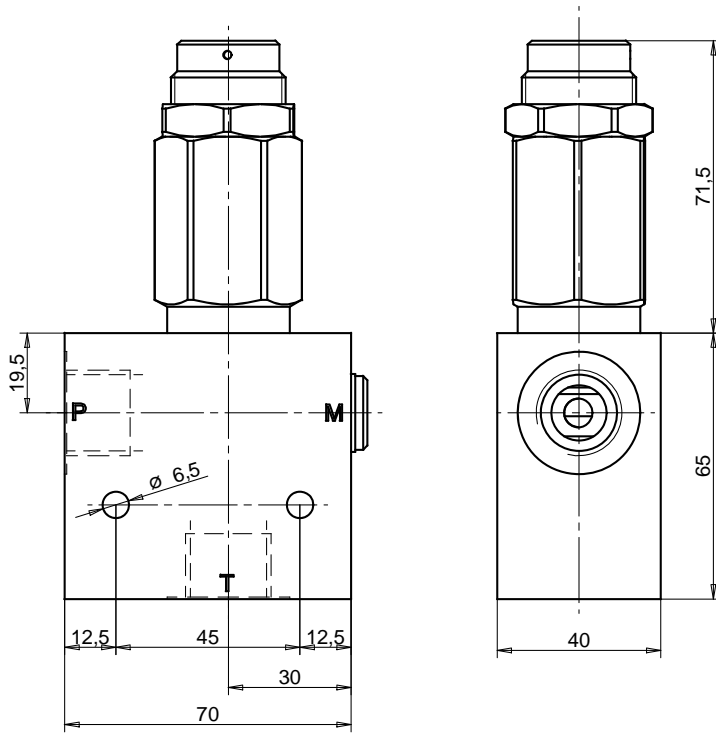
Spring (bar)

30

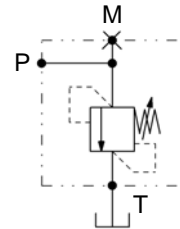
120-350



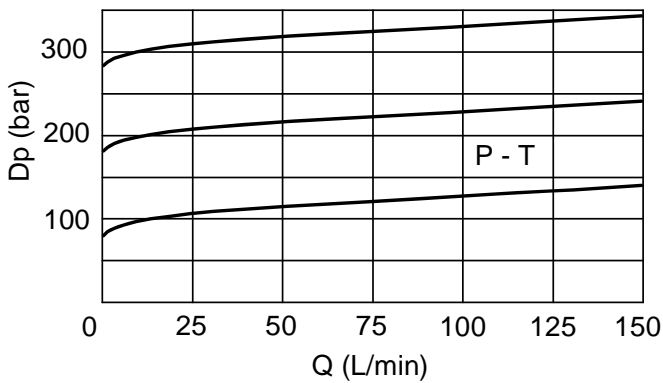
Dimensions



Hydraulic Symbol



Curves



Features

Max Flow	150 lpm
Max Pressure	350 bar

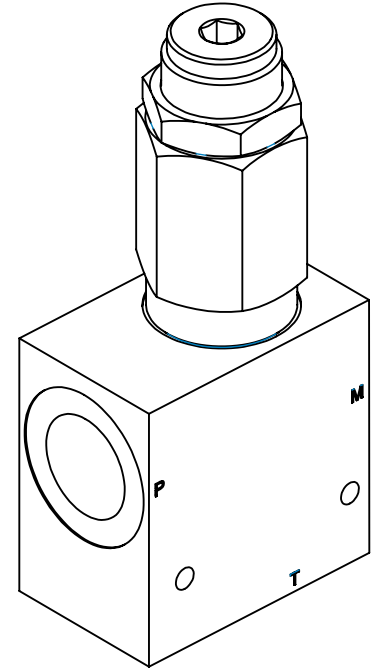
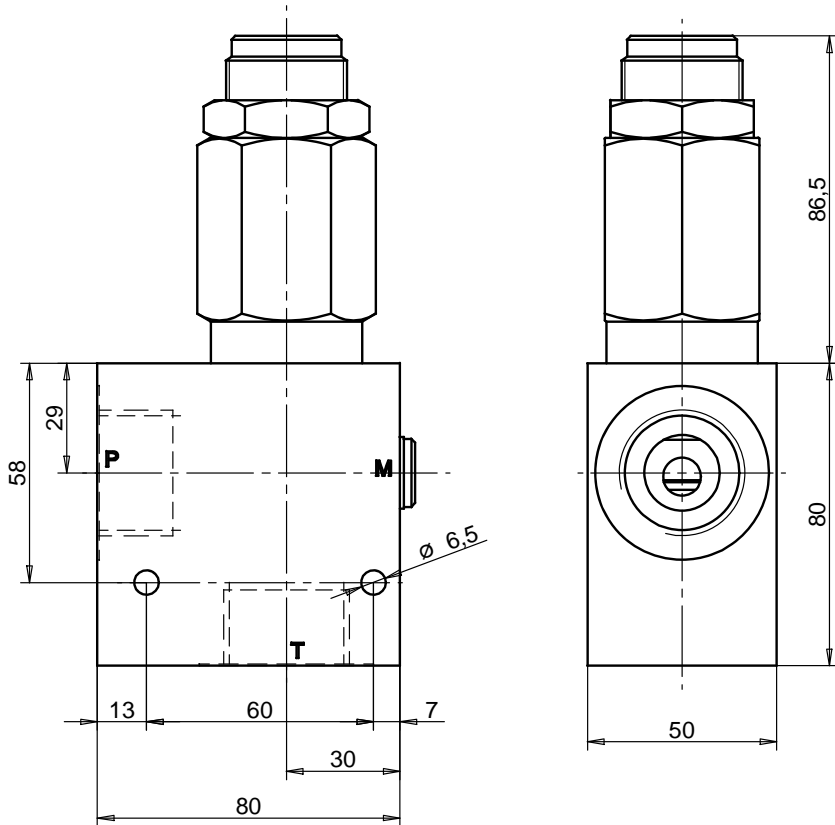
**Materials:** Zinc plated steel cartridge, hardened steel inner parts.  
Aluminium manifold.

Ordering Code

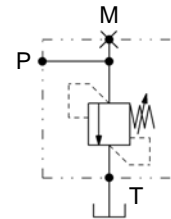
PRCDL 150 -- --

Port Size BSP		Spring (bar)	
03	1/2	30	100-350
04	3/4		

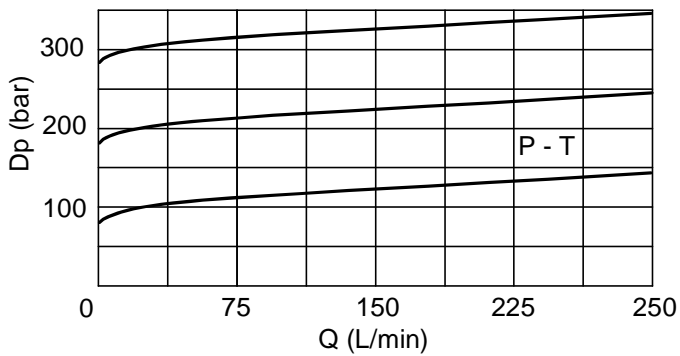
### Dimensions



### Hydraulic Symbol



### Curves



### Features

Max Flow	240 lpm
Max Pressure	350 bar
Installation torque	150-160 Nm

**Materials:** Zinc plated steel cartridge, hardened steel inner parts.  
Aluminium manifold.

### Ordering Code

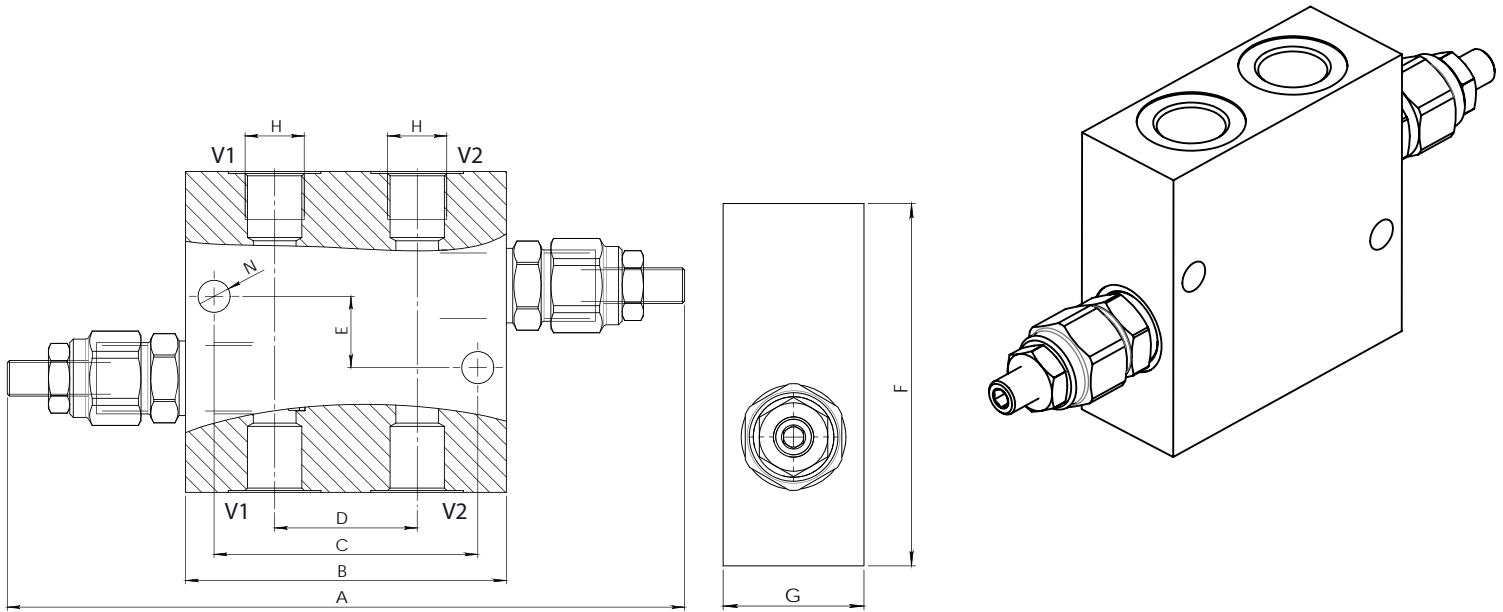
**PRCDL 250**

--

--

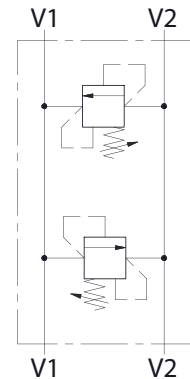
Port Size BSP		Spring (bar)	
<b>04</b>	3/4	<b>30</b>	120-350
<b>05</b>	1		

### Dimensions

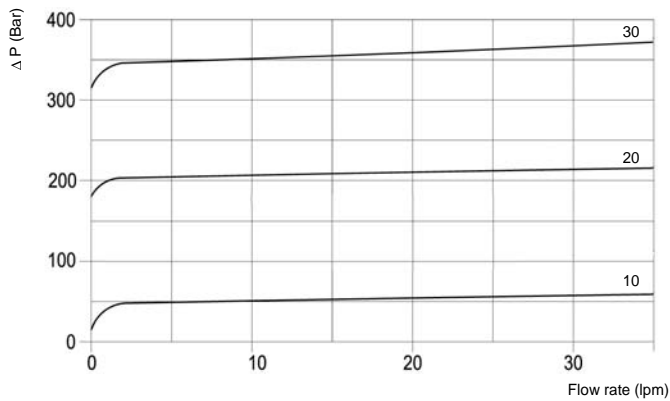


Size	A	B	C	D	E	F	G	H BSP	N	Weight kg
<b>02</b>	190	90	74	40	20	90	35	3/8	9	0,95
<b>03</b>	190	90	74	40	20	90	35	1/2	9	0,93

### Hydraulic Symbol



### Curves



### Features

<b>Rated Flow</b>	35 lpm
<b>Max Pressure</b>	350 bar

**Materials:** Zinc plated steel cartridge, hardened steel inner parts.  
Aluminium manifold.

### Ordering Code

**DPRL 35**    --    --    -

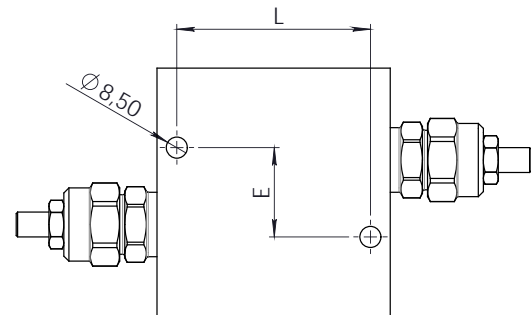
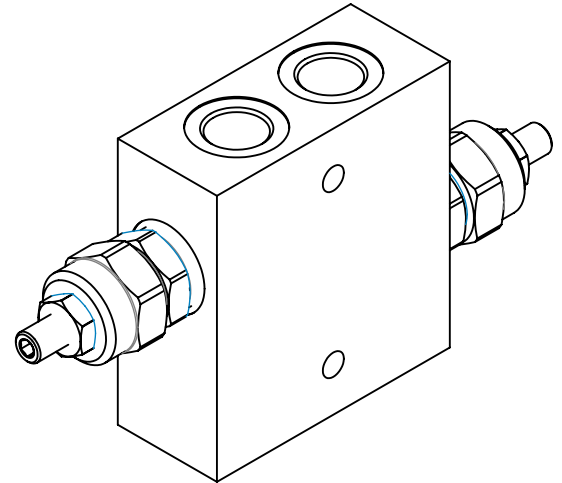
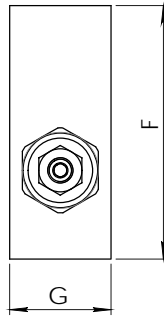
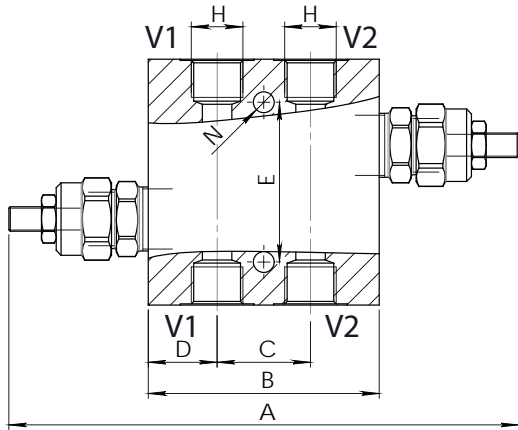
Port Size BSP		Spring (bar)	
<b>02</b>	3/8	<b>10</b>	5-50
<b>03</b>	1/2	<b>20</b>	40-210
		<b>30</b>	100-350

### Adjustments

<b>A</b>		Socket Screw
<b>B</b>		Handknob
<b>C</b>		Tamperproof Cap

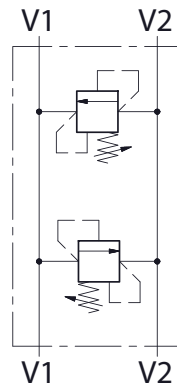
**Ordering Code Example:** DPRL350220A = 3/8 Port Size - 40-210 bar setting range, Socket screw adjustment.

### Dimensions

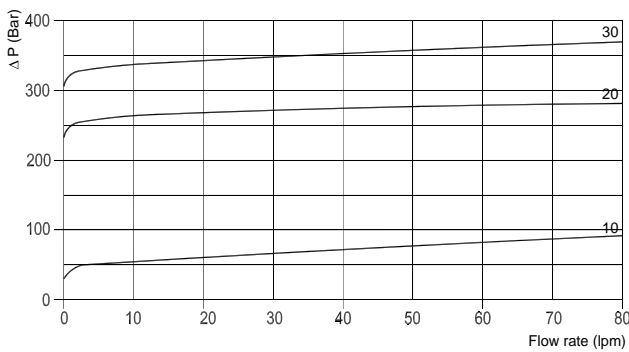


Size	A max	B	C	D	E	F	G	H BSP	L	N	Weight kg
03	207	94	38	28	65	100	40	1/2	-	8,5	1,41
04	207	94	38	28	36	100	40	3/4	78	8,5	1,36

### Hydraulic Symbol



### Curves



### Features

Rated Flow	80 lpm
Max Pressure	260 bar

**Materials:** Zinc plated steel cartridge, hardened steel inner parts.  
Aluminium manifold.

### Ordering Code

**DPRL 80**    --    --    -

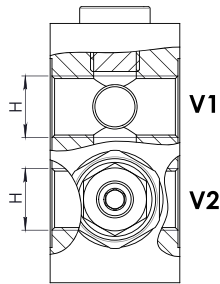
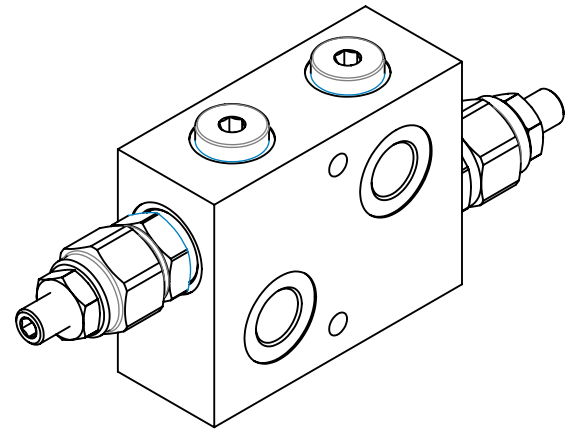
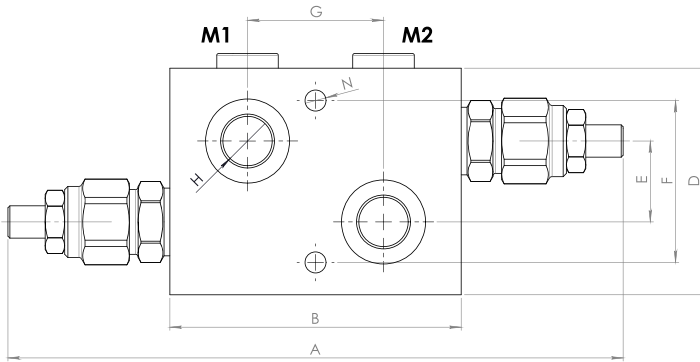
Port Size BSP		Spring (bar)	
03	1/2	10	5-50
04	3/4	20	30-260
		30	130-350

### Adjustments

A		Socket Screw
B		Handknob
C		Tamperproof Cap

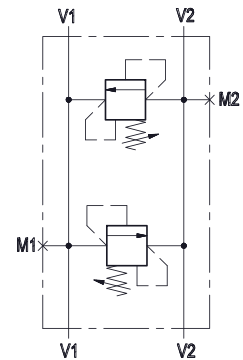
**Ordering Code Example:** DPRL800320A = 1/2 Port Size - 40-210 bar setting range, Socket screw adjustment.

### Dimensions

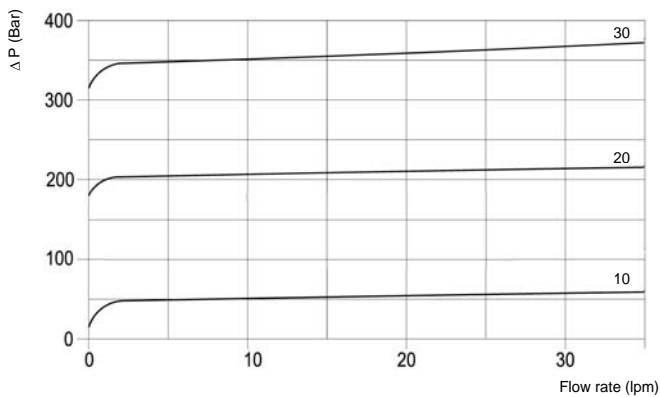


Size	A max	B	C	D	E	F	G	H BSP	M1 BSP	M2 BSP	N	Weight kg
02	190	90	35	70	25	50	42	3/8	1/4	1/4	6,5	0,84
03	190	90	35	70	25	50	42	1/2	1/4	1/4	6,5	0,82

### Hydraulic Symbol



### Curves



### Features

Rated Flow	35 lpm
Max Pressure	350 bar

**Materials:** Zinc plated steel cartridge, hardened steel inner parts.  
Aluminium manifold.

### Ordering Code

**DPRF 35**    --    --    -

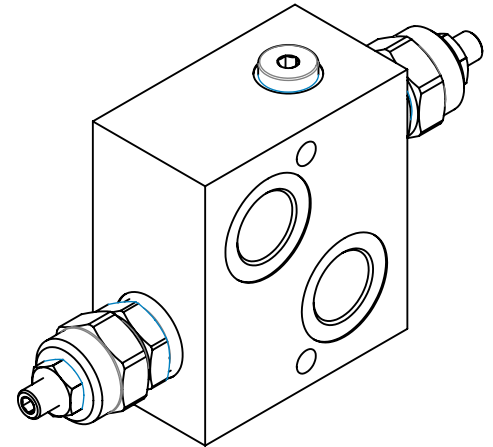
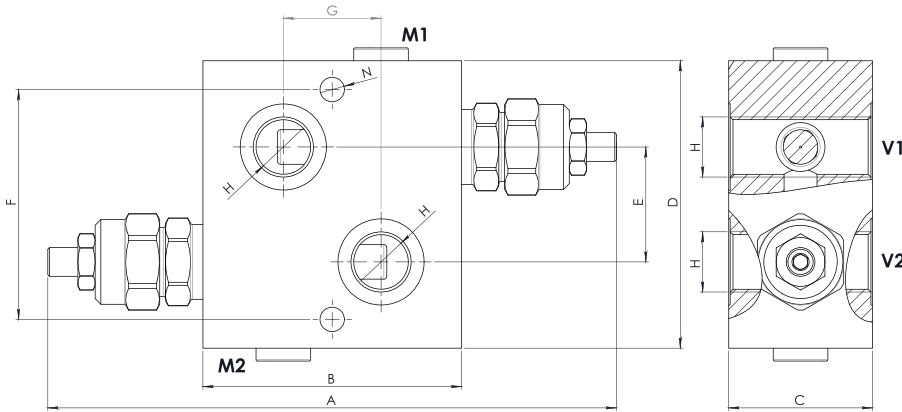
Port Size BSP		Spring (bar)	
02	3/8	10	5-50
03	1/2	20	40-210
		30	100-350

### Adjustments

A		Socket Screw
B		Handknob
C		Tamperproof Cap

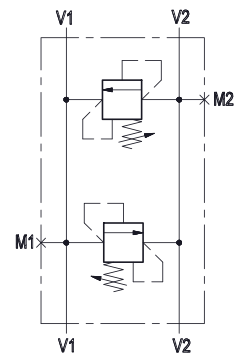
**Ordering Code Example:** DPRF350220A = 3/8 Port Size - 40-210 bar setting range, Socket screw adjustment.

### Dimensions

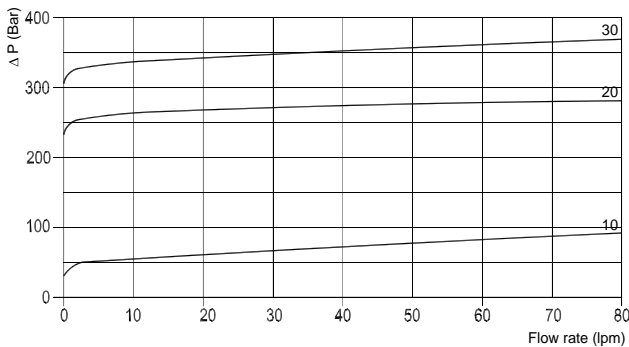


Size	A max	B	C	D	E	F	G	H BSP	M1 BSP	M2 BSP	N	Weight kg
03	198	90	50	100	40	80	32	1/2	1/4	1/4	8,5	1,64
04	198	90	50	100	40	80	32	3/4	1/4	1/4	8,5	1,59

### Hydraulic Symbol



### Curves



### Features

Rated Flow	80 lpm
Max Pressure	260 bar

**Materials:** Zinc plated steel cartridge, hardened steel inner parts.  
Aluminium manifold.

### Ordering Code

**DPRF 80**    --    --    -

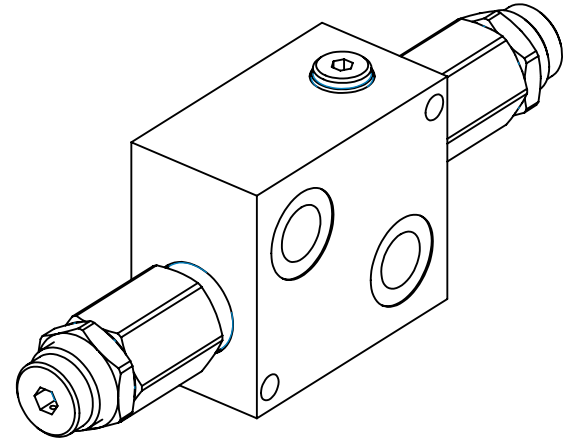
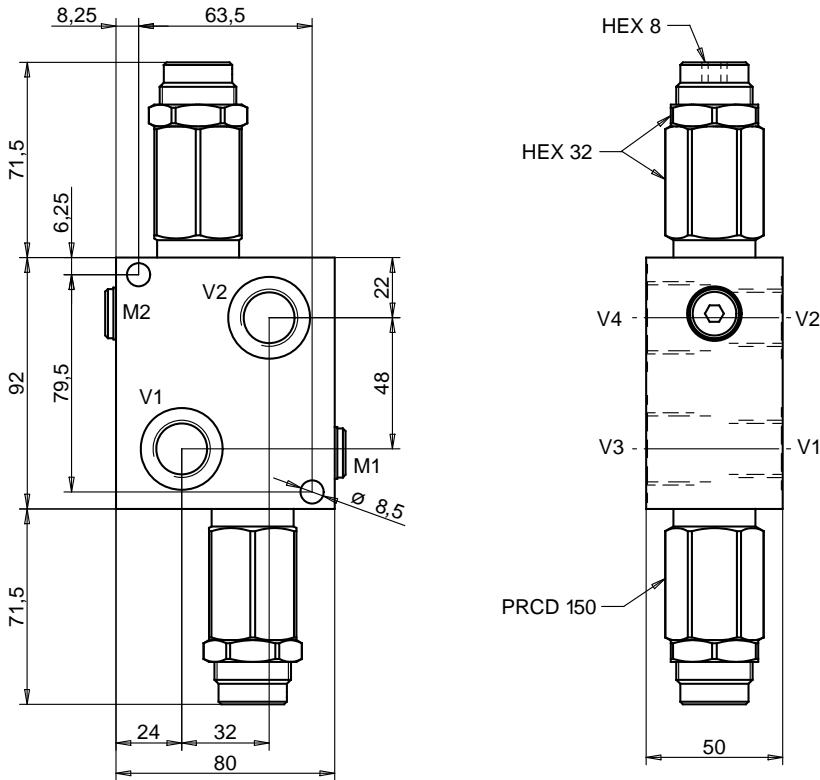
Port Size BSP		Spring (bar)	
03	1/2	10	5-50
04	3/4	20	30-260
		30	130-350

### Adjustments

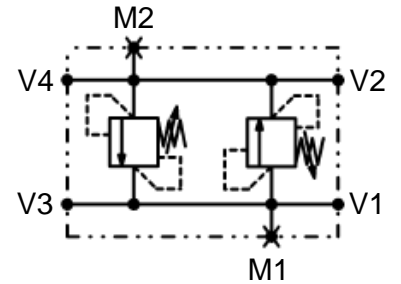
A		Socket Screw
B		Handknob
C		Tamperproof Cap

**Ordering Code Example:** DPRF800320A = 1/2 Port Size - 40-210 bar setting range, Socket screw adjustment.

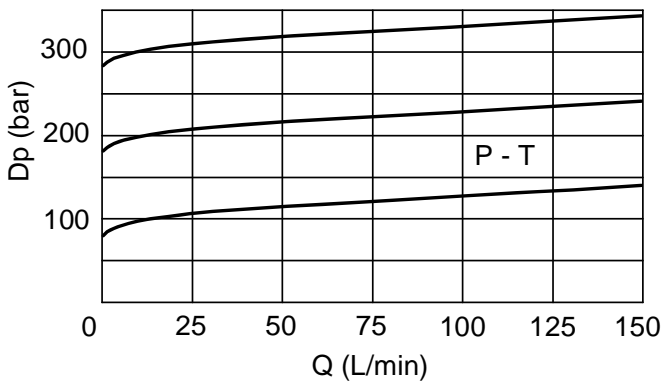
## Dimensions



## Hydraulic Symbol



## Curves



## Features

Max Pressure	270 bar
Max Flow	150 lpm
Ports	V1-V2: G 1/2 V3-V4: G 3/4 M1-M2: G 1/4

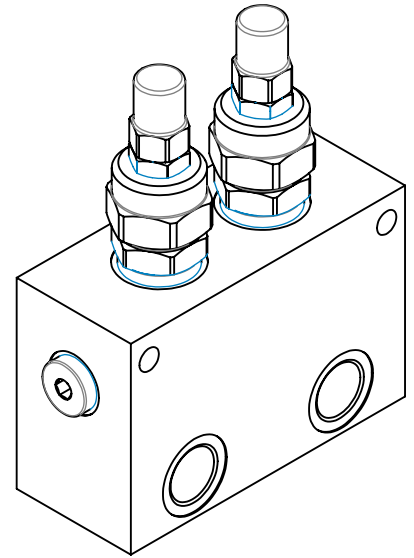
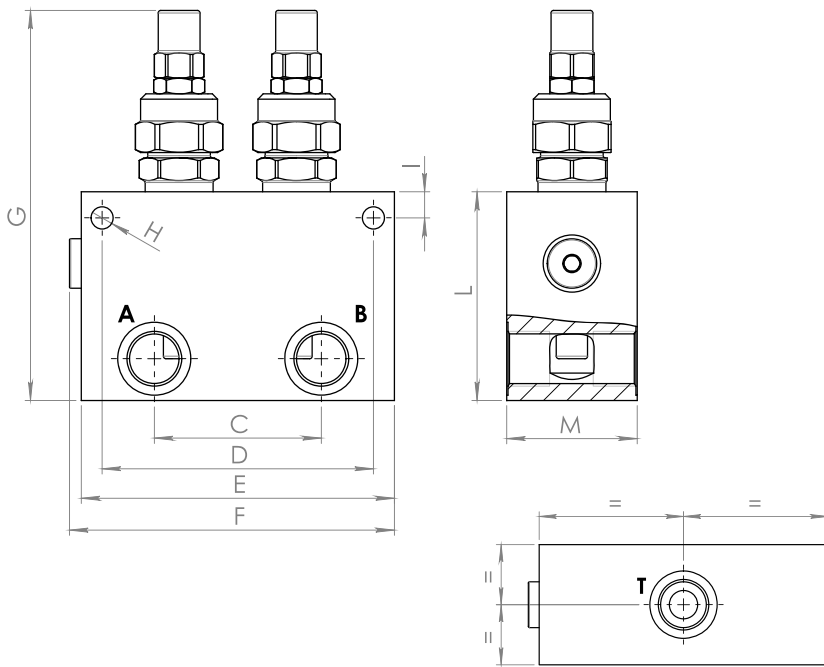
**Materials:** Zinc plated steel cartridge, hardened steel inner parts.  
Aluminium manifold.

## Ordering Code

**DPCDIH 0304** --

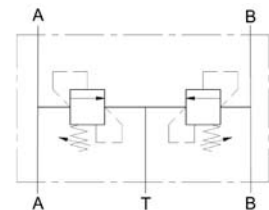
Spring (bar)	
30	100-350

### Dimensions

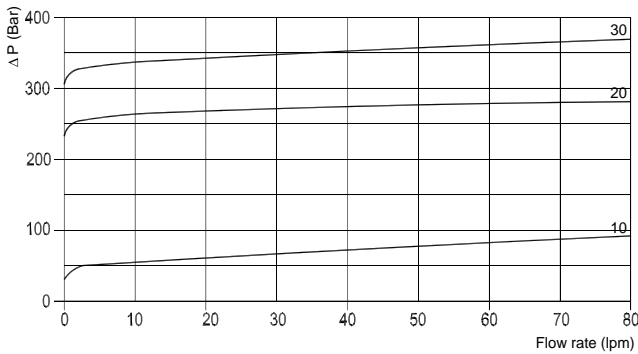


Size	A-B-T	C	D	E	F	G	H	I	L	M	Weight kg
<b>03</b>	1/2	64	104	120	124,5	149,5	8,5	10	80	50	1,78

### Hydraulic Symbol



### Curves



### Features

<b>Rated Flow</b>	80 lpm
<b>Max Pressure</b>	260 bar

**Materials:** Zinc plated steel cartridge, hardened steel inner parts.  
Aluminium manifold.

### Ordering Code

**DPRSU 80**

--

--

-

**Port Size BSP**

**03**

1/2

**Spring (bar)**

**10**

5-50

**20**

30-260

**30**

130-350

**Adjustments**

**A**



Socket Screw

**C**

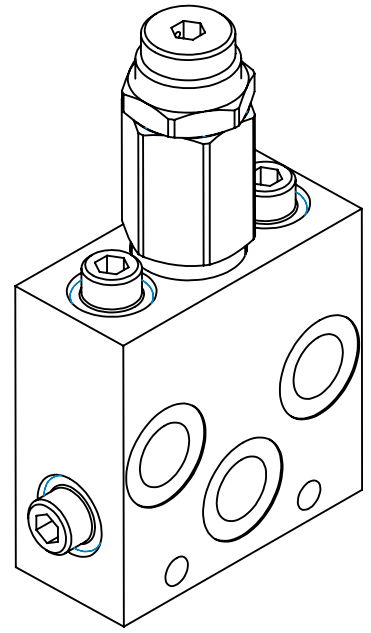
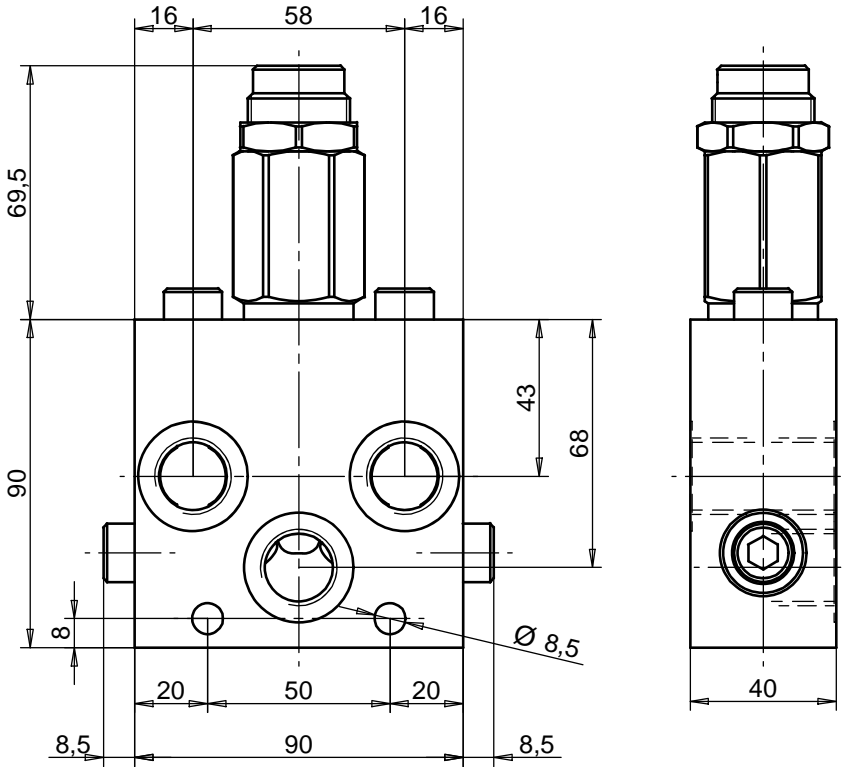


Tamperproof Cap

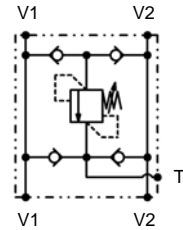
**Ordering Code Example:** DPRSU800320A = 1/2 Port Size - 30-260 bar setting range, Socket screw adjustment.



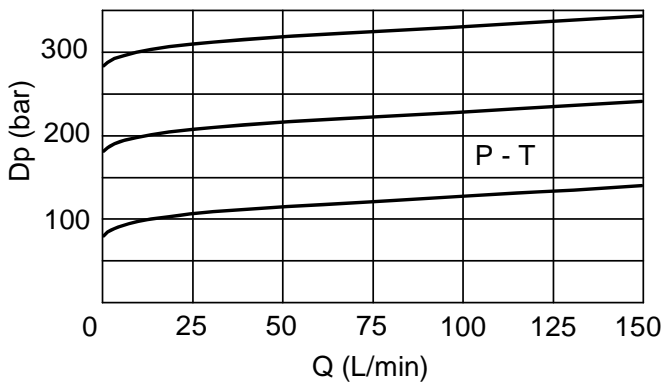
## Dimensions



## Hydraulic Symbol



## Curves



## Features

Max Pressure	280 bar
Max Flow	60 lpm
Ports	V1-V2: G 1/2 T: G 1/2

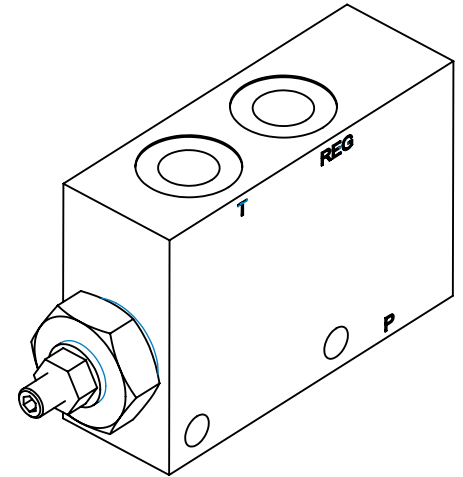
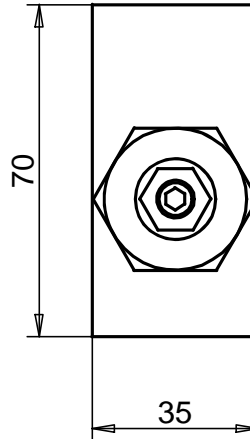
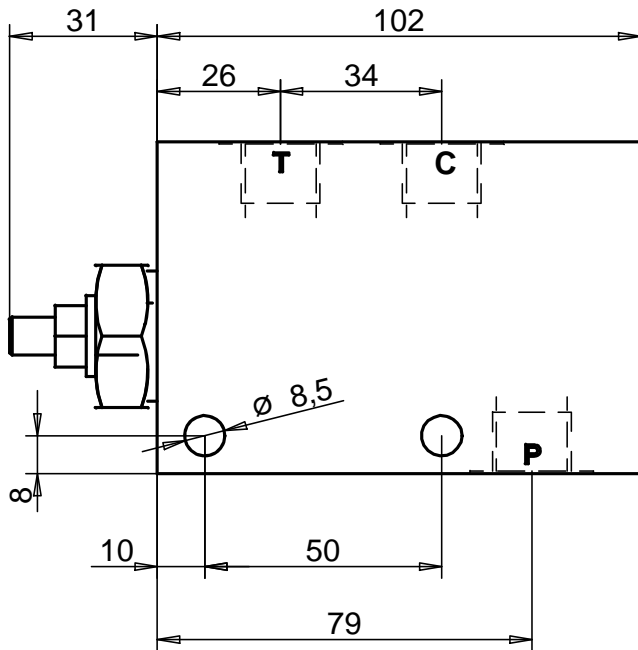
**Materials:** Zinc plated steel cartridge, hardened steel inner parts.  
Aluminium manifold.

## Ordering Code

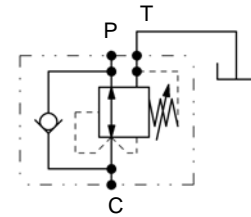
**VARUCD 03** --

Spring (bar)	
30	100-350

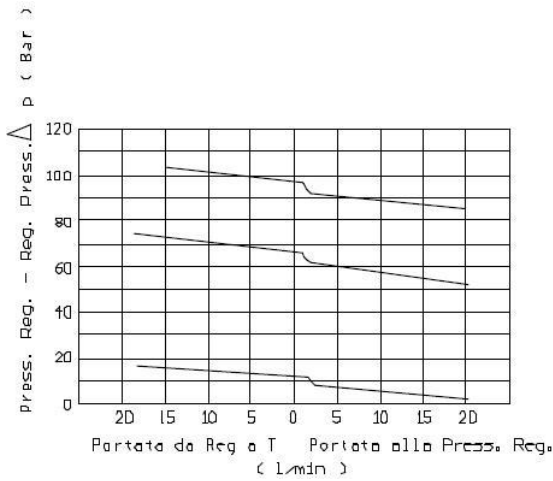
Dimensions



Hydraulic Symbol



Curves



Features

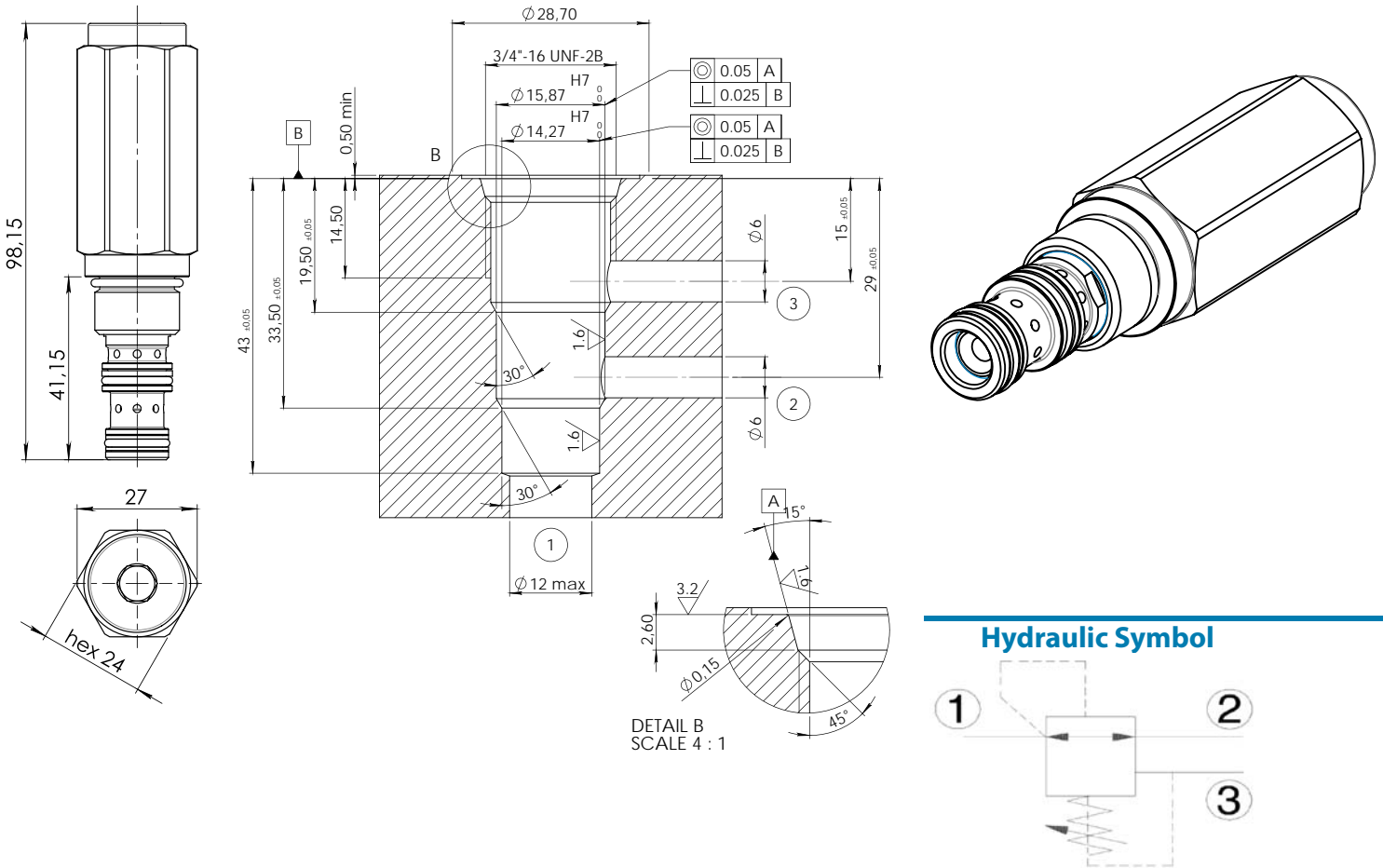
Max Pressure	260 bar
Max Flow	20 lpm
Std. Pressure range	15 - 105 bar

**Materials:** Zinc plated steel cartridge, hardened steel inner parts.  
Aluminium manifold.

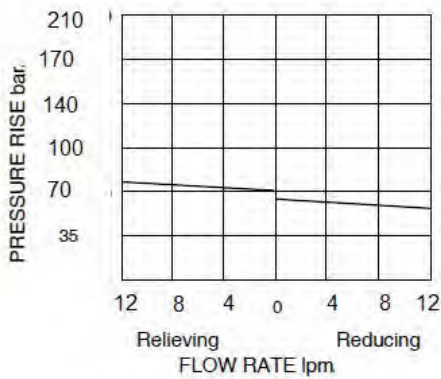
Ordering Code

VARP		--
Port Size BSP		
02		3/8

Dimensions



Curves



Features

Max Pressure	350 bar
Max Flow	12 lpm

Materials: Zinc plated steel cartridge, hardened steel inner parts.

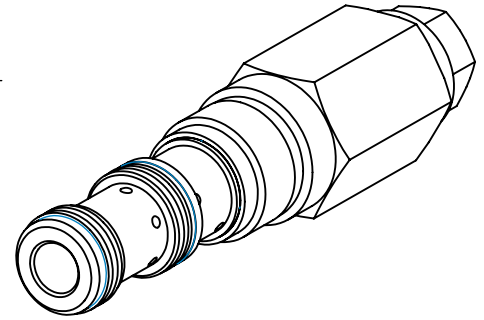
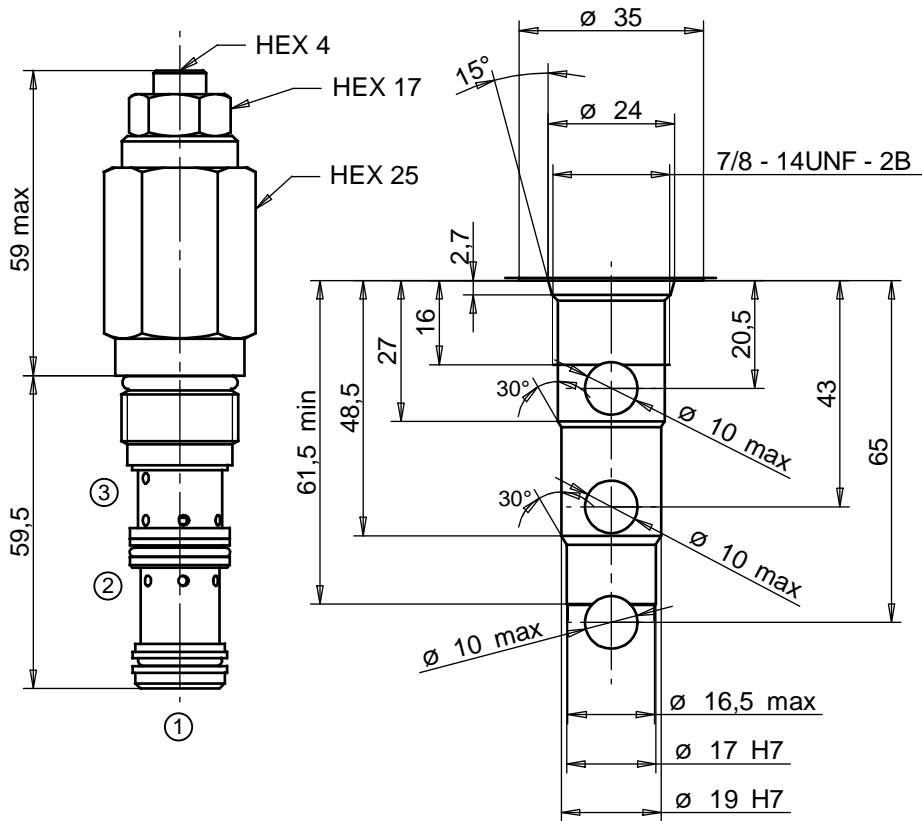
Ordering Code

VPRDC02 --

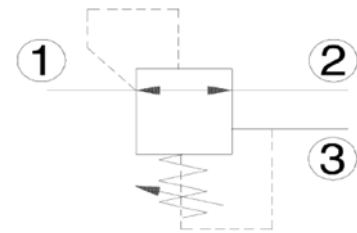
Port Size BSP	
10	10-100

Ordering Code Example: VPRDC0210 = 10-100 bar setting range.

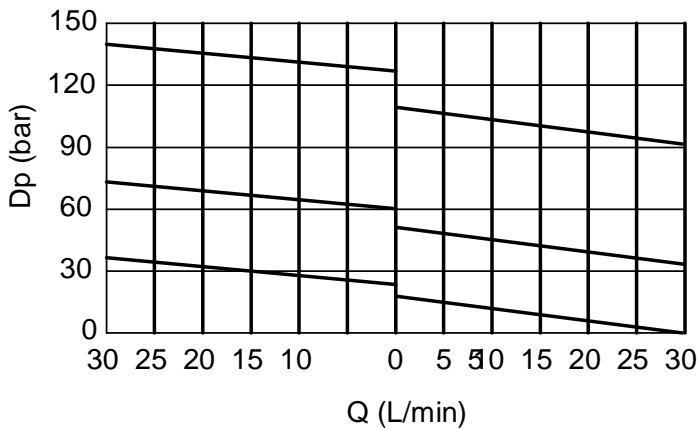
Dimensions



Hydraulic Symbol



Curves



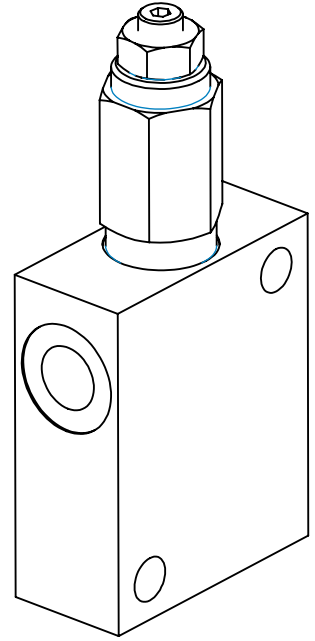
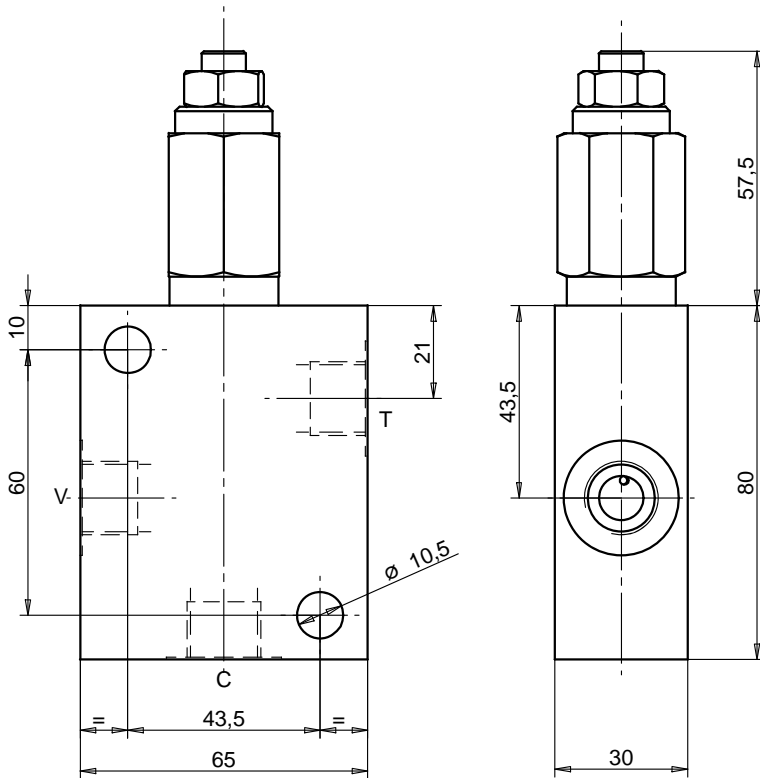
Features

Max Pressure REG	140 bar
Max Pressure IN	350 bar
Max Flow	30 lpm
Installation torque	53-58 Nm

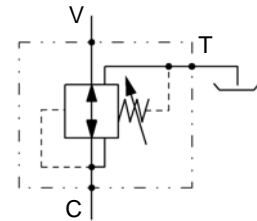
Ordering Code

VPREDC 03

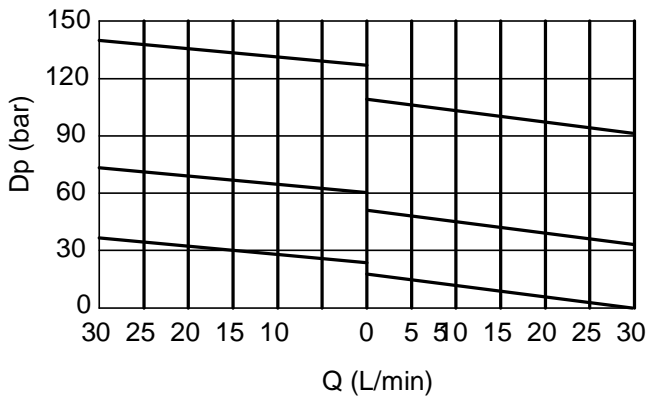
Dimensions



Hydraulic Symbol



Curves



Features

Max Pressure REG	140 bar
Max Pressure IN	350 bar
Max Flow	30 lpm

**Materials:** Zinc plated steel cartridge, hardened steel inner parts.  
Aluminium manifold.

Ordering Code

VPREDAD

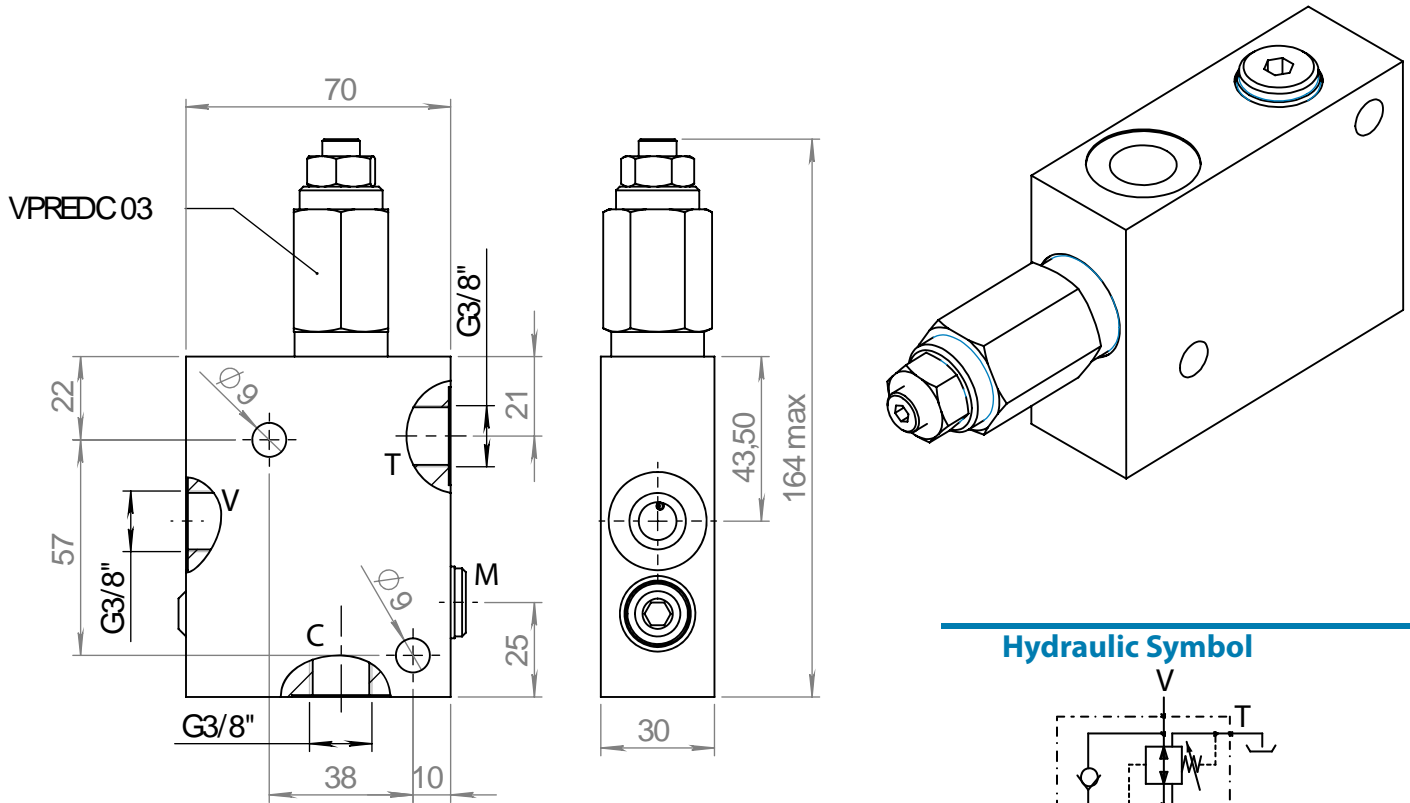
--

Port Size BSP

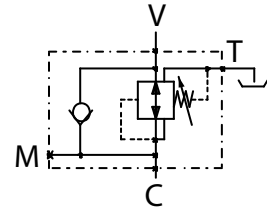
02

3/8

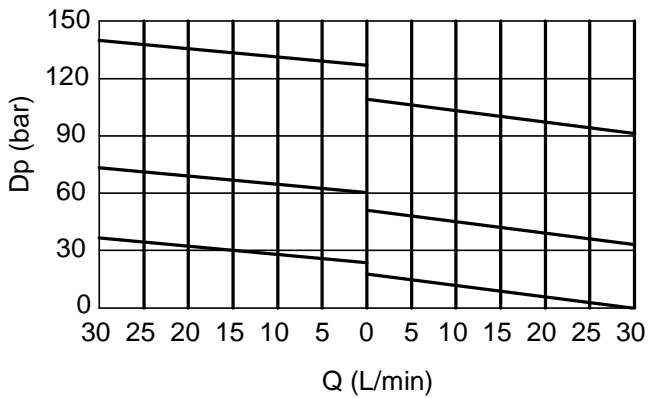
Dimensions



Hydraulic Symbol



Curves



Features

Max Pressure REG	140 bar
Max Pressure IN	350 bar
Max Flow	30 lpm

**Materials:** Zinc plated steel cartridge, hardened steel inner parts.  
Aluminium manifold.

Ordering Code

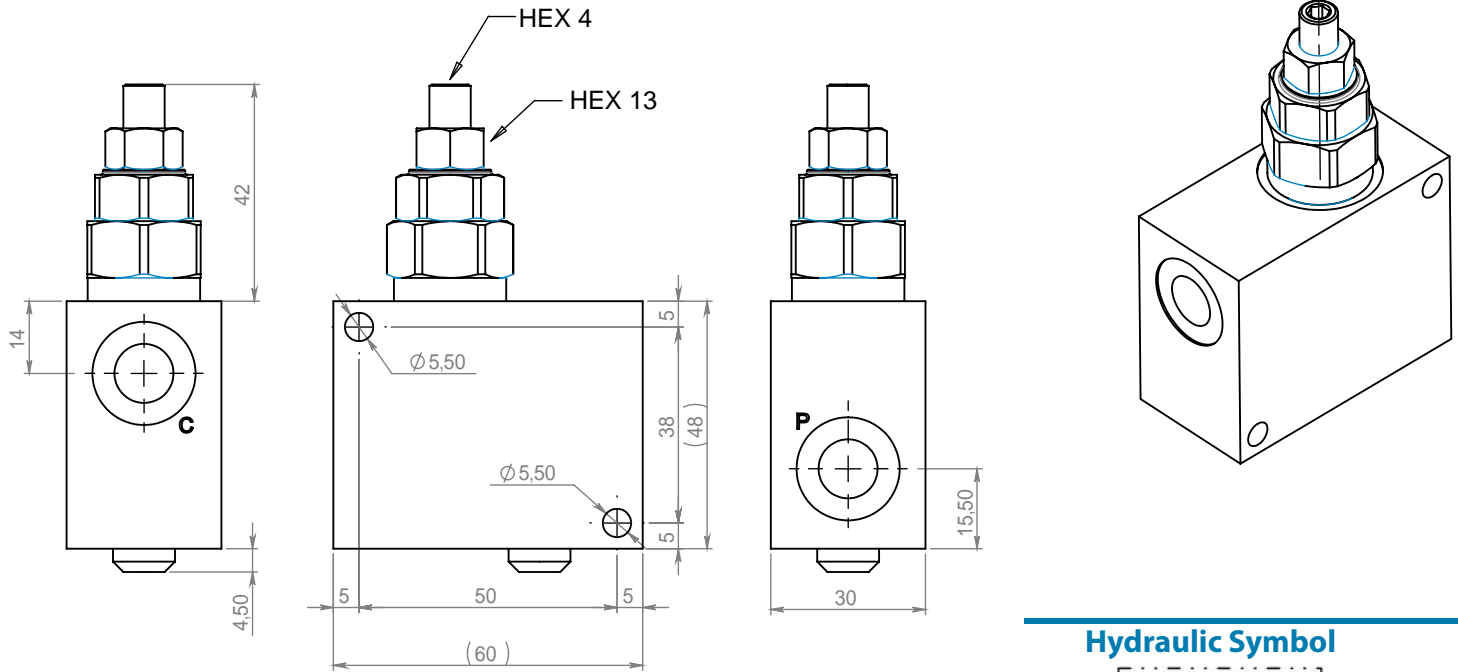
VPREDARR

--

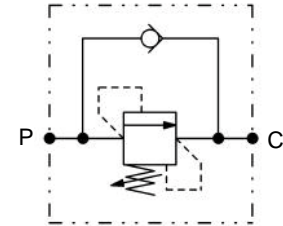
Port Size BSP

02	3/8
----	-----

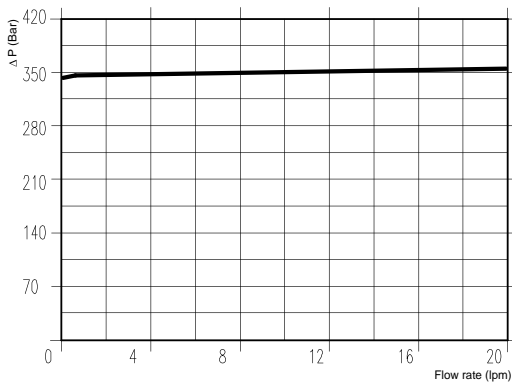
Dimensions



Hydraulic Symbol



Curves



Features

Max Flow (lpm)	20
Max Pressure (bar)	350

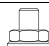
**Materials:** Zinc plated steel cartridge, hardened steel inner parts.  
Aluminium manifold.

Ordering Code

SV 20 -- -- -

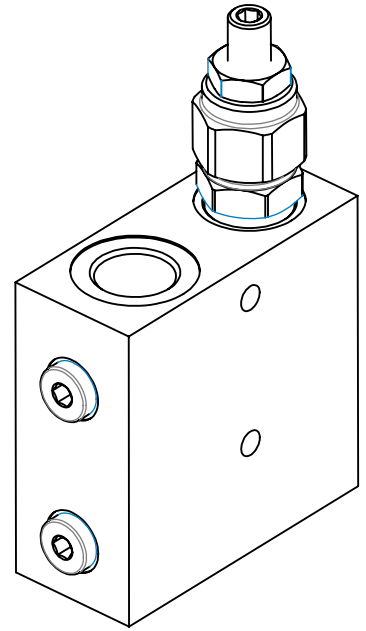
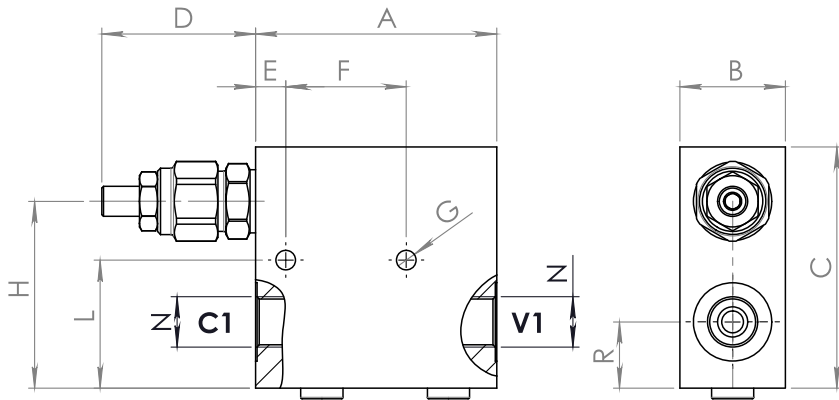
Port Size BSP		Spring (bar)	
01	1/4	10	5-100
		30	50-350

Adjustments

A		Socket Screw
---	---	--------------

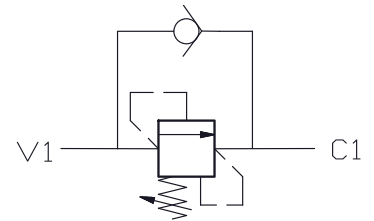
Ordering Code Example: SV200130A = 1/4 Port Size - 50-350 bar setting range, Socket screw adjustment.

## Dimensions

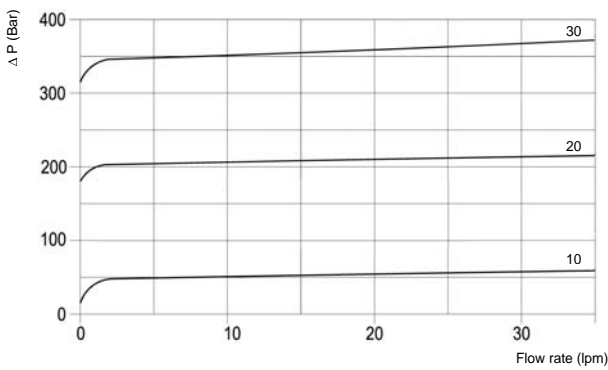


Size	A	B	C	D max	E	F	G	H	L	N BSP	R	Weight kg
02	80	35	80	51	10	40	6,5	62	42,5	3/8	22	0,72
03	80	35	80	51	10	40	6,5	62	42,5	1/2	22	0,710

## Hydraulic Symbol



## Curves



## Features

Rated Flow (lpm)	35
Max Pressure (bar)	260

**Materials:** Zinc plated steel cartridge, hardened steel inner parts.  
Aluminium manifold.

## Ordering Code

**SV 35**    --    --    -

Port Size BSP		Spring (bar)	
02	3/8	10	5-50
03	1/2	20	40-210
		30	100-350

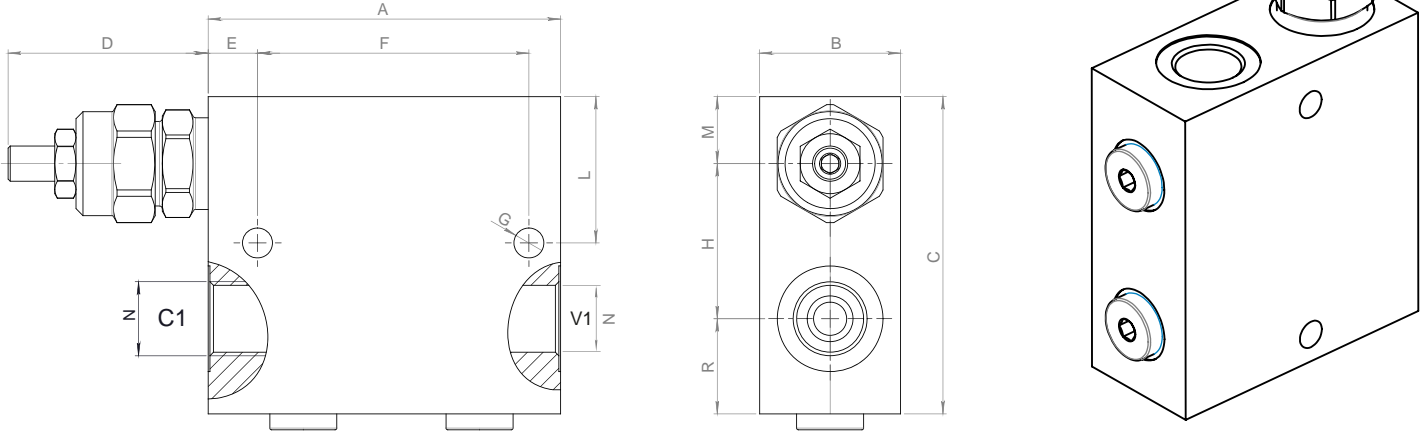
## Adjustments

A		Socket Screw
B		Handknob
C		Tamperproof Cap

**Ordering Code Example:** SV350220A = 3/8 Port Size - 40-210 bar setting range, Socket screw adjustment.

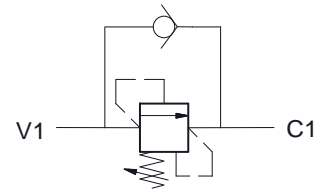


### Dimensions

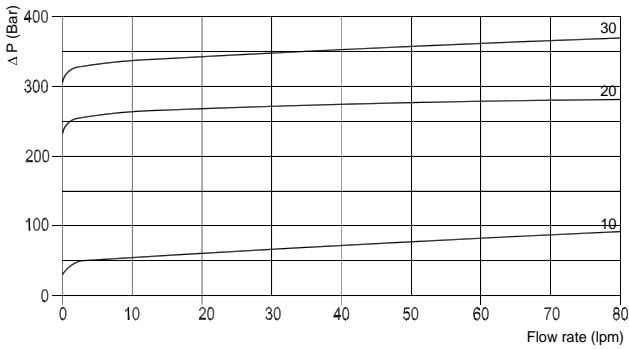


Size	A	B	C	D max	E	F	G	H	L	N BSP	M	R	Weight kg
<b>03</b>	100	40	90	57	14	77	8,5	44	41,5	1/2	19	27	1,2
<b>04</b>	100	40	90	57	14	77	8,5	44	41,5	3/4	19	27	1,16

### Hydraulic Symbol



### Curves



### Features

<b>Rated Flow (lpm)</b>	80
<b>Max Pressure (bar)</b>	260

**Materials:** Zinc plated steel cartridge, hardened steel inner parts.  
Aluminium manifold.

### Ordering Code

**SV 80**    --    --    -

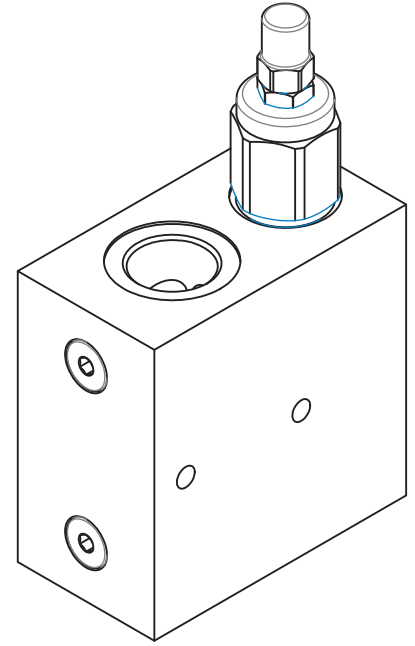
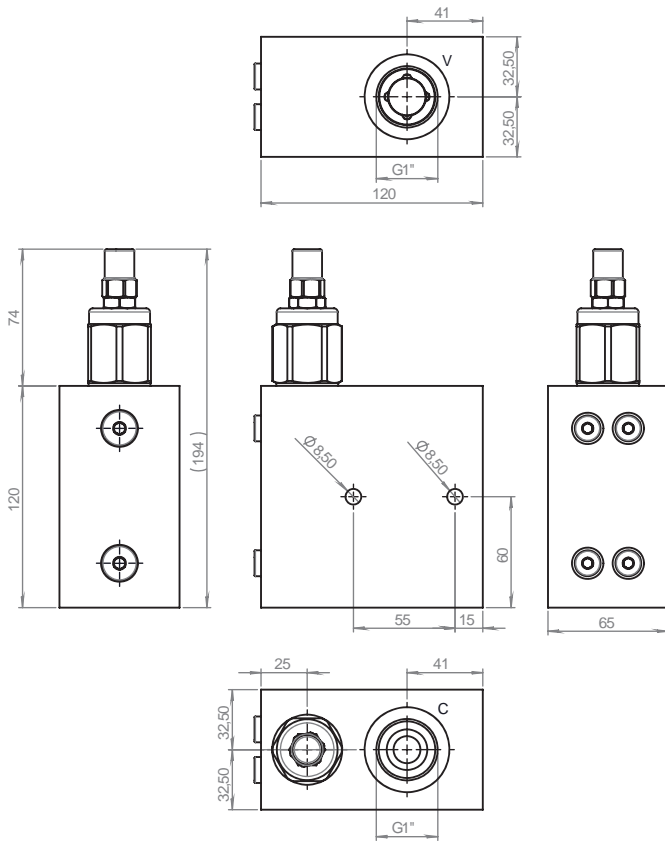
Port Size BSP		Spring (bar)	
<b>03</b>	1/2	<b>10</b>	5-50
<b>04</b>	3/4	<b>20</b>	30-260
		<b>30</b>	130-350

### Adjustments

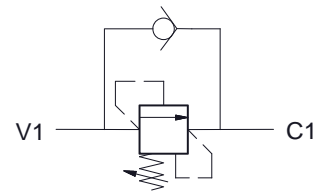
<b>A</b>		Socket Screw
<b>B</b>		Handknob
<b>C</b>		Tamperproof Cap

**Ordering Code Example: SV800320A** = 1/2 Port Size - 30-260 bar setting range, Socket screw adjustment.

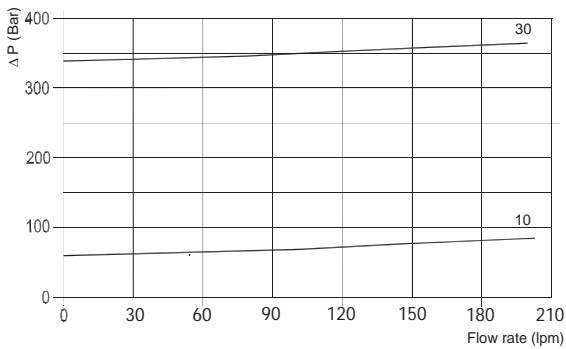
Dimensions



Hydraulic Symbol



Curves



Features

Rated Flow (lpm)	200
Max Pressure (bar)	260

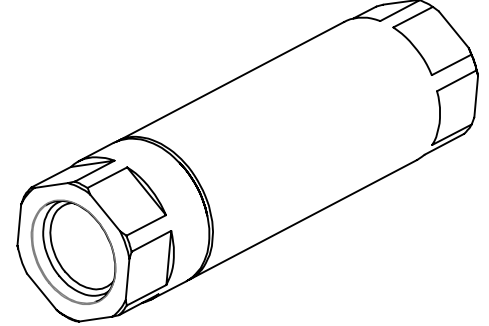
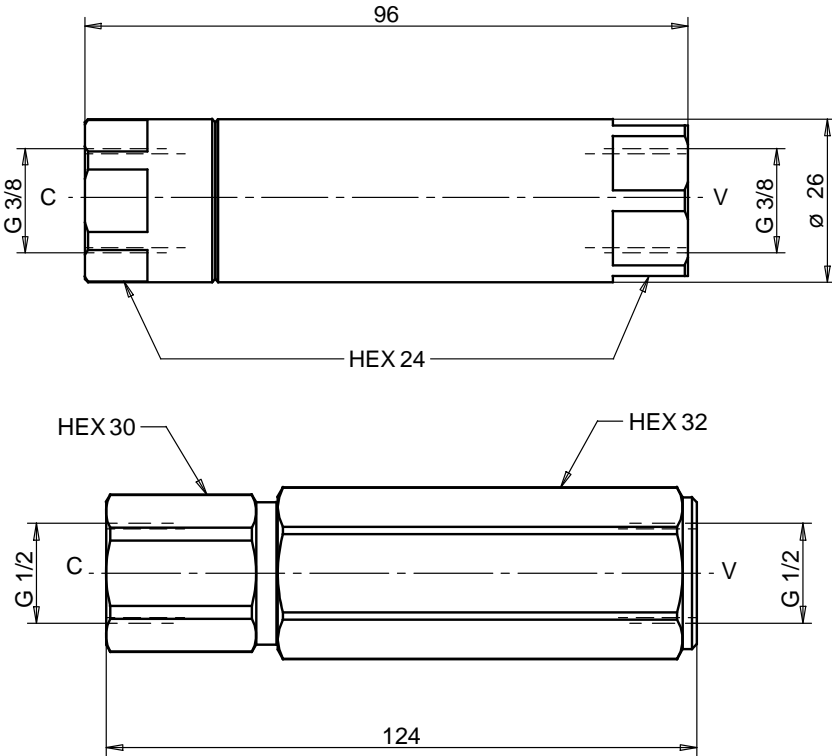
**Materials:** Zinc plated steel cartridge, hardened steel inner parts.  
Aluminium manifold.

Ordering Code

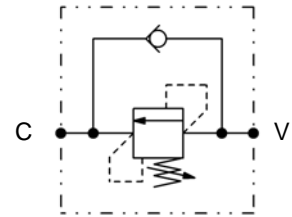
SV150		--	--	--
Port Size BSP		Spring (bar)		Adjustments
05	1	10	5-120	A  Socket Screw
		30	50-350	B  Handknob
				C  Tamperproof Cap

**Ordering Code Example:** SV1500530A = 1" Port Size - 50-350 bar setting range, Socket screw adjustment.

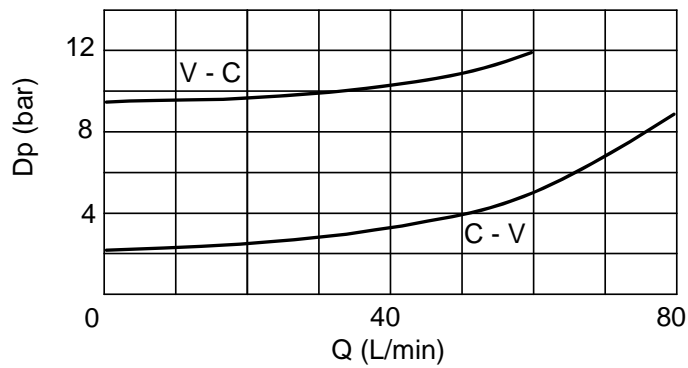
Dimensions



Hydraulic Symbol



Curves



Features

Size	02	03
Max Flow (lpm)	40	80
Max Pressure (bar)	350	350

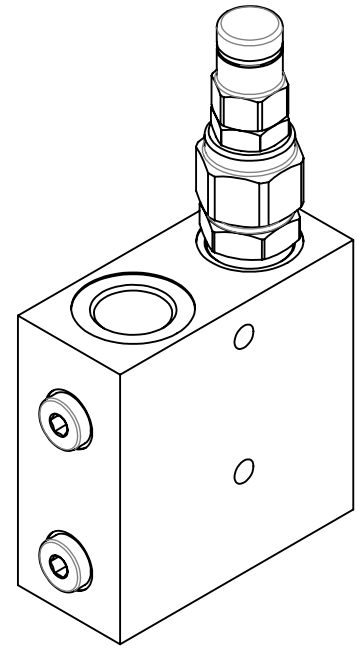
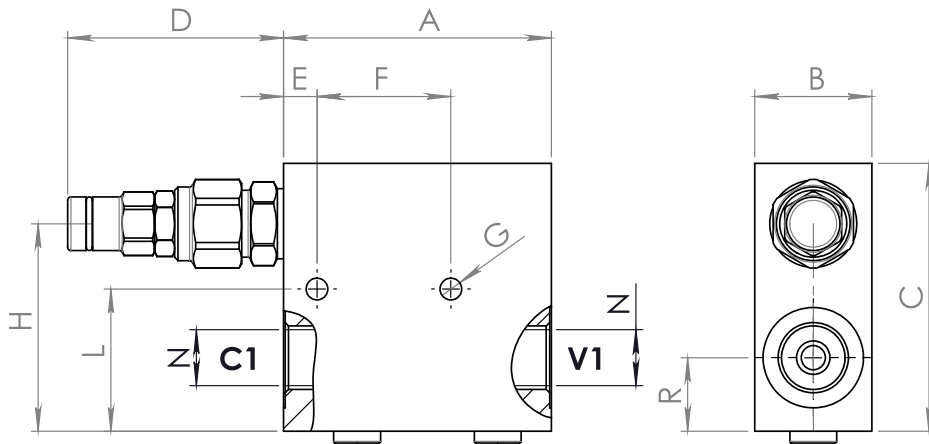
**Materials:** Zinc plated steel body, hardened steel inner parts.

Ordering Code

SVL		--	--
	Port Size BSP	LP-Spring (bar)	
02	3/8	10	02 03
03	1/2		30-120 30-140

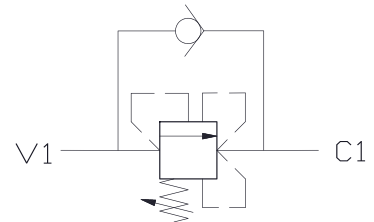
**Ordering Code Example:** SVL0310 = 1/2 Port Size - 30-140 bar setting range.

### Dimensions

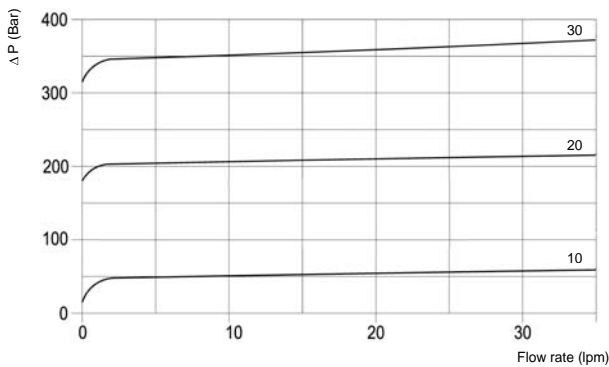


Size	A	B	C	D max	E	F	G	H	L	N BSP	R	Weight kg
<b>02</b>	64,5	35	80	51	10	40	6,5	62	42,5	3/8	22	0,72
<b>03</b>	64,5	35	80	51	10	40	6,5	62	42,5	1/2	22	0,710

### Hydraulic Symbol



### Curves



### Features

<b>Rated Flow (lpm)</b>	35
<b>Max Pressure (bar)</b>	260

**Materials:** Zinc plated steel cartridge, hardened steel inner parts.  
Aluminium manifold.

### Ordering Code

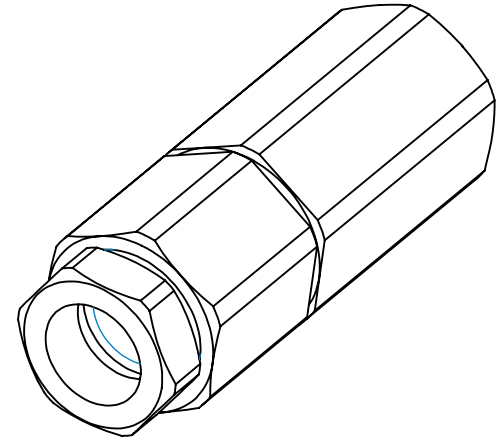
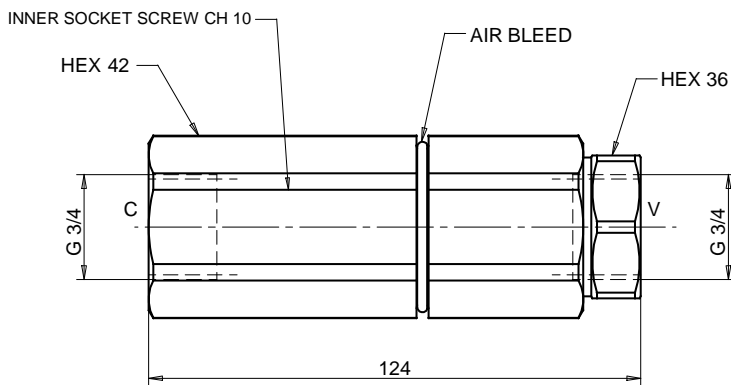
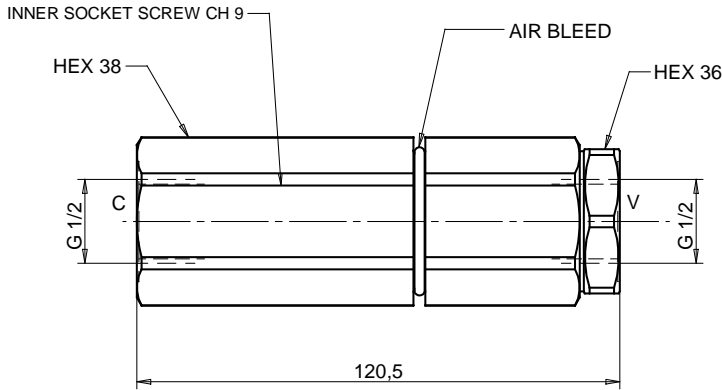
**SV 35CC** -- --

Port Size BSP	
<b>02</b>	3/8
<b>03</b>	1/2

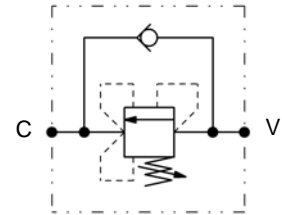
Spring (bar)	
<b>10</b>	5-50
<b>20</b>	40-210
<b>30</b>	100-350

**Ordering Code Example:** SV35CC0220 = 3/8 Port Size - 40-210 bar setting range.

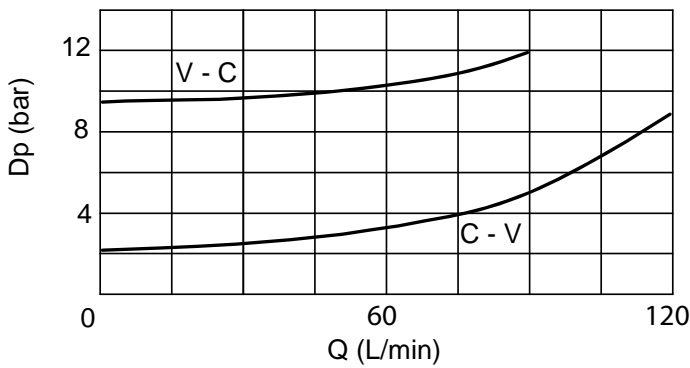
Dimensions



Hydraulic Symbol



Curves



Features

Size	03	04
Max Flow (lpm)	100	120
Max Pressure (bar)	350	350

Materials: Zinc plated steel body, hardened steel inner parts.

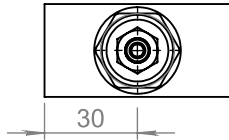
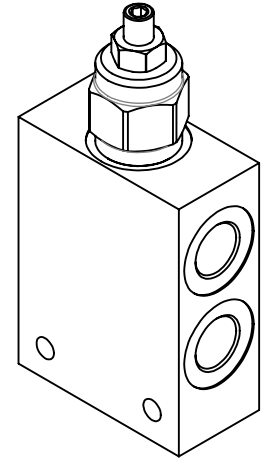
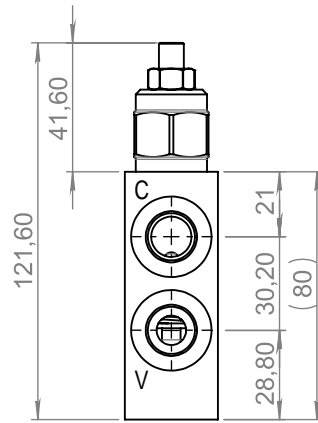
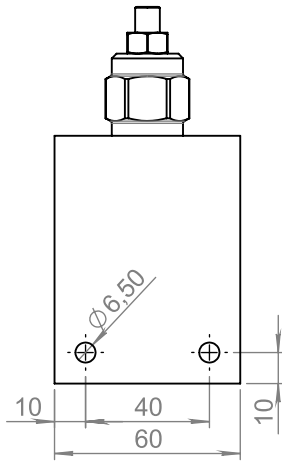
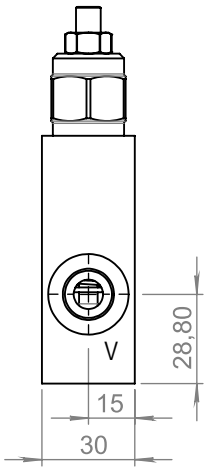
Ordering Code

SVLCC -- --

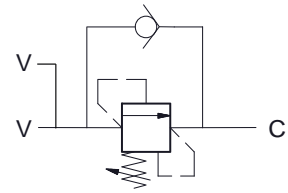
Port Size BSP		LP-Spring (bar)	
03	1/2	03	04
04	3/4	10	50-140
		20	80-250

Ordering Code Example: SVLCC0310 = 1/2 Port Size - 50-140 bar setting range.

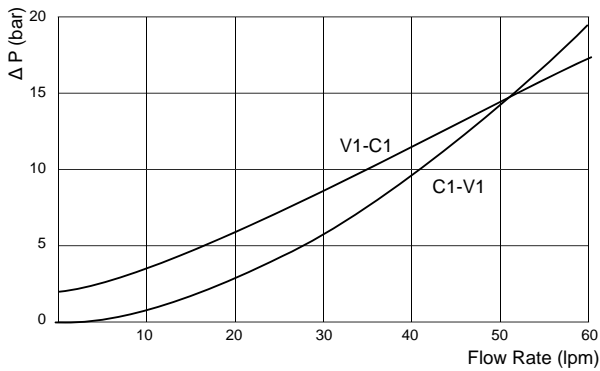
### Dimensions



### Hydraulic Symbol



### Curves



### Features

Max Flow	60 lpm
Max Pressure	260 bar
Ports Size (V,C)	3/8 BSP
Weight (kg)	0,50 kg

**Materials:** Zinc plated steel cartridge, hardened steel inner parts.  
Aluminium manifold.

### Ordering Code

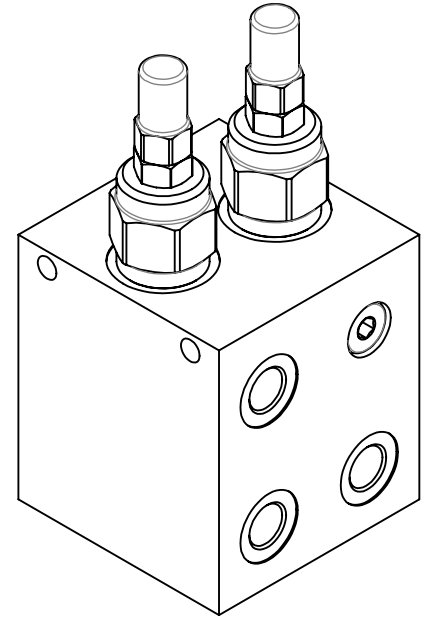
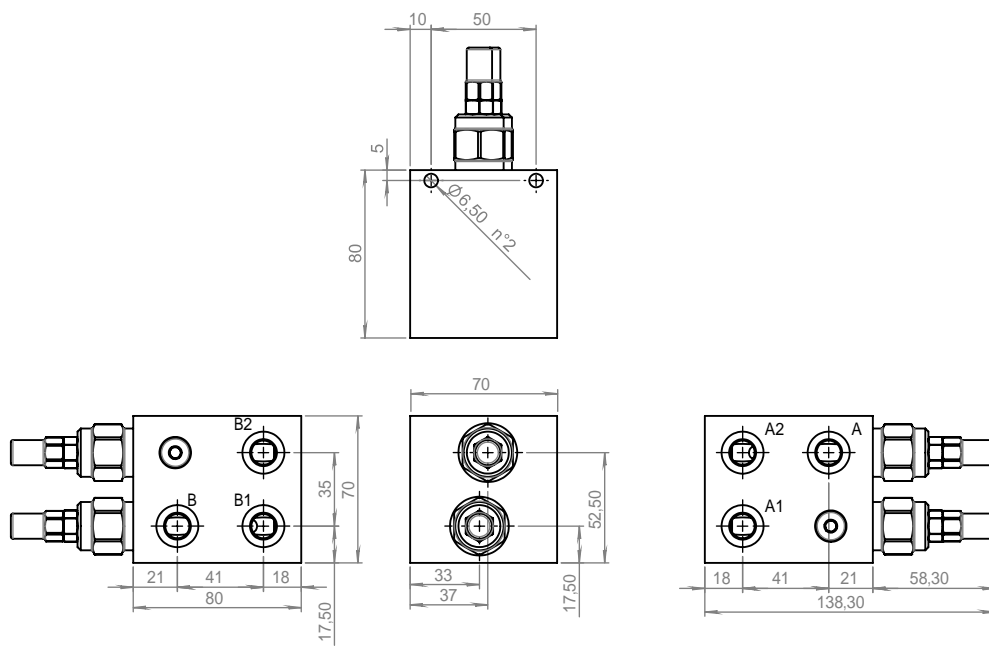
**SV6002** -- **MH**

#### Spring (bar)

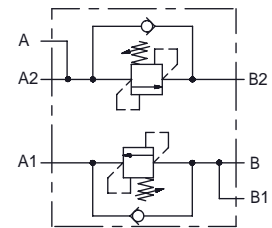
<b>20</b>	60 - 210
<b>30</b>	100 - 350

**Ordering Code Example:** SV600220MH = 3/8 Port Size - 60-210 bar setting range

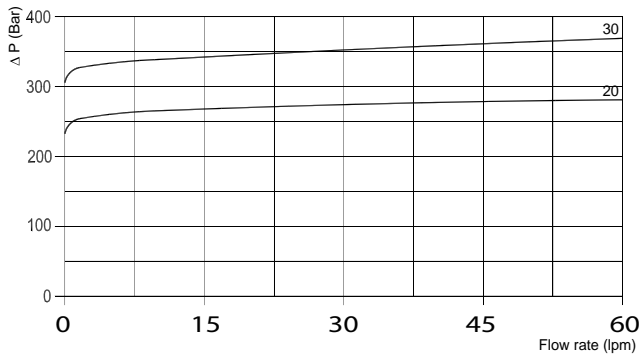
Dimensions



Hydraulic Symbol



Curves



Features

Max Flow	60 lpm
Max Pressure	350 bar
Pilot Ratio	4,2:1 Standard
Ports	3/8" bsp

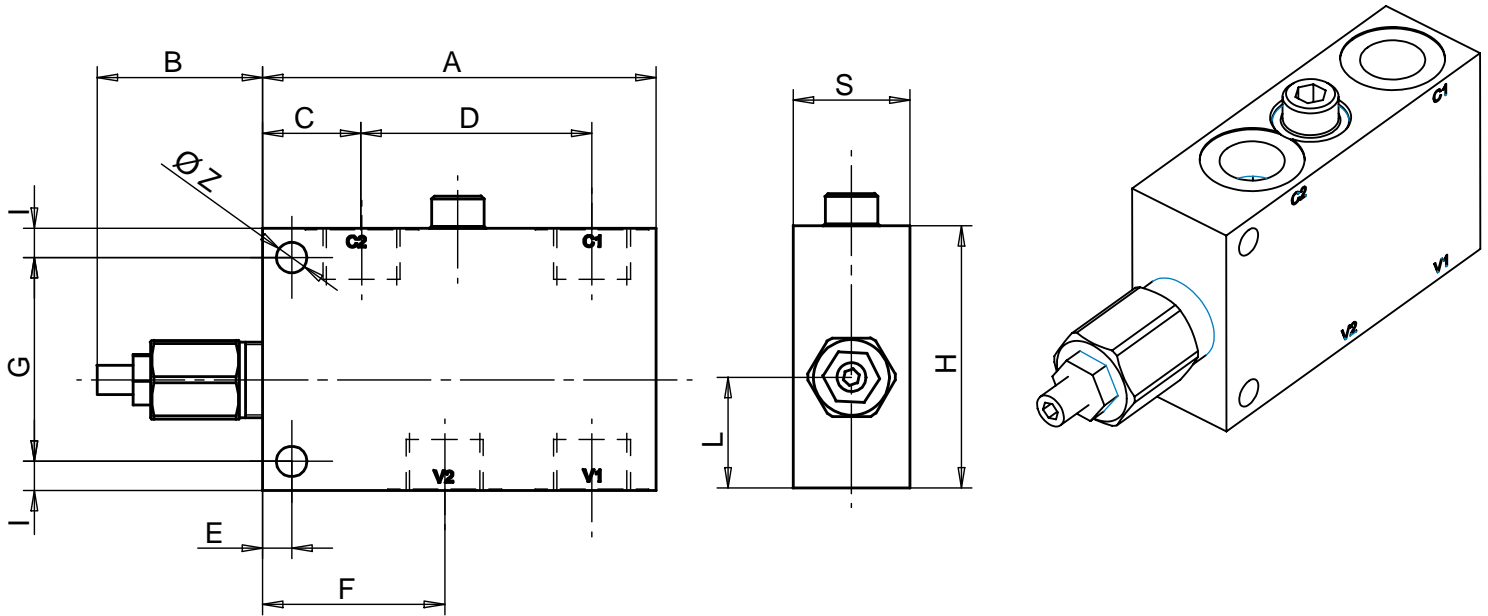
**Materials:** Aluminium manifold, hardened steel inner parts.

Ordering Code

<b>DSV</b>		--	--	<b>SF</b>
		<b>Port Size BSP</b>		<b>Spring (bar)</b>
<b>02</b>	3/8	<b>20</b>	60-210	
		<b>30</b>	100-350	

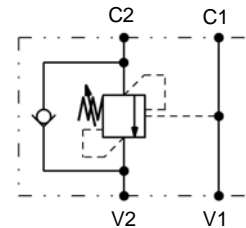
**Ordering Code Example:** DSV0220SF = 3/8 BSP Port Size, 60-210 bar setting range.

### Dimensions

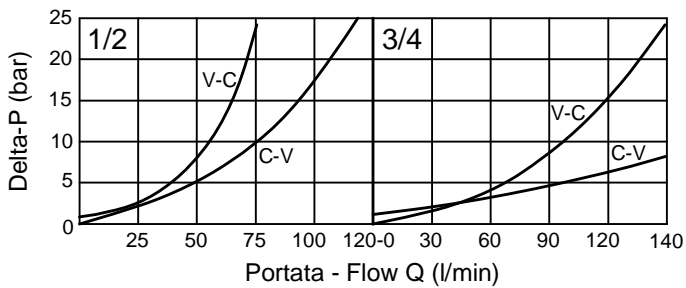


Size	A	B	C	D	E	F	G	H	I	L	S	Z	V1-V2 C1-C2
<b>03</b>	113	60	32,5	62,5	10	54,5	54	70	8	32	35	8,5	G 1/2
<b>04</b>	135	60	34	79	10	62,5	70	90	10	38	40	10,5	G 3/4

### Hydraulic Symbol



### Curves



### Features

<b>Std. Pressure range</b>	100 - 350 bar	
<b>Max Pressure</b>	250 bar	
<b>Pilot Ratio</b>	<b>3,2:1</b>	<b>8,2:1</b>
<b>1/2</b>	Standard	On request
<b>3/4</b>	On request	Standard

**Materials:** Zinc plated steel cartridge, hardened steel inner parts.  
Aluminium manifold.

### Ordering Code

**CBSL**

--

-

#### Port Size BSP

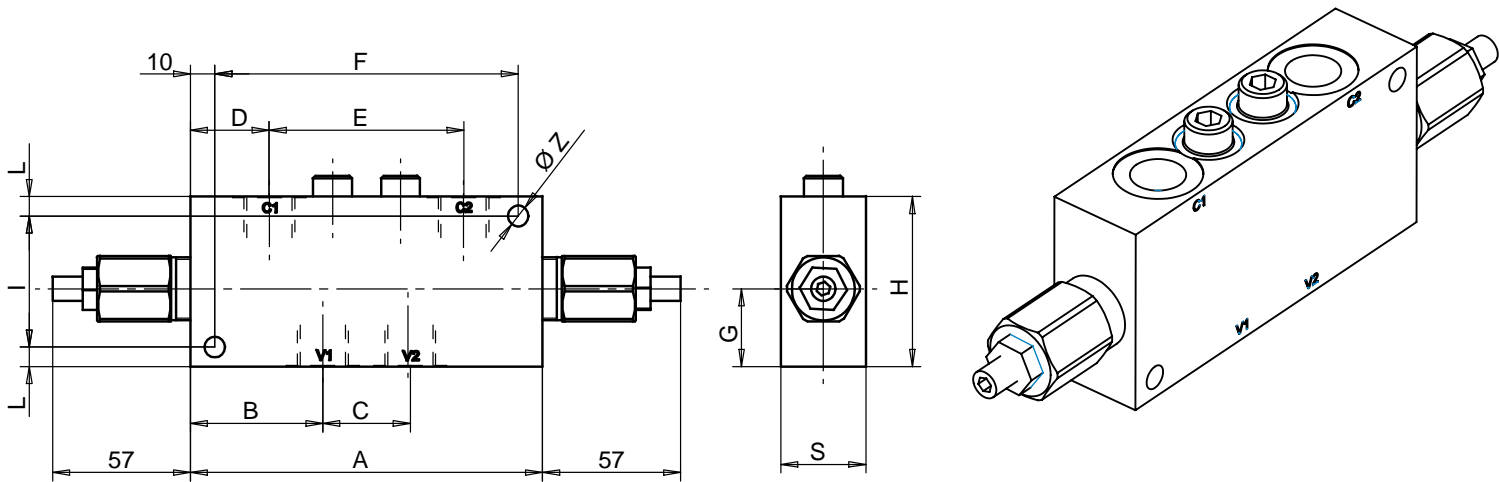
<b>03</b>	1/2
<b>04</b>	3/4

#### Pilot Ratio

<b>3</b>	3,2 : 1
<b>8</b>	8,2 : 1

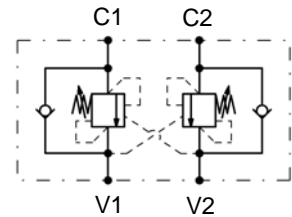


### Dimensions

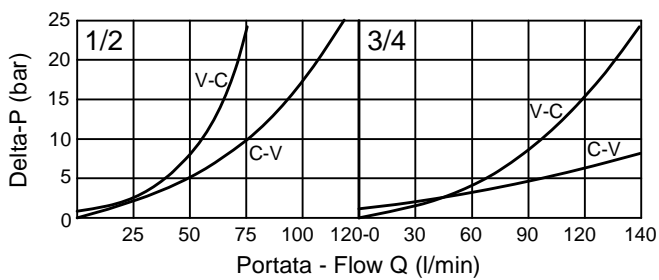


Size	A	B	C	D	E	F	G	H	I	L	S	Z	V1-V2 C1-C2
<b>03</b>	145	54,5	36	32,5	80	125	32	70	54	8	35	8,5	G 1/2
<b>04</b>	175	62,5	50	34	107	155	38	90	70	10	40	10,5	G 3/4

### Hydraulic Symbol



### Curves



### Features

<b>Max Pressure</b>	350 bar
<b>Pilot Ratio</b>	8,2:1 Standard 3,2:1 On request
<b>Std. Pressure range</b>	100 - 350 bar

**Materials:** Zinc plated steel cartridge, hardened steel inner parts.  
Aluminium manifold.

### Ordering Code

**CBSCDL**

--

-

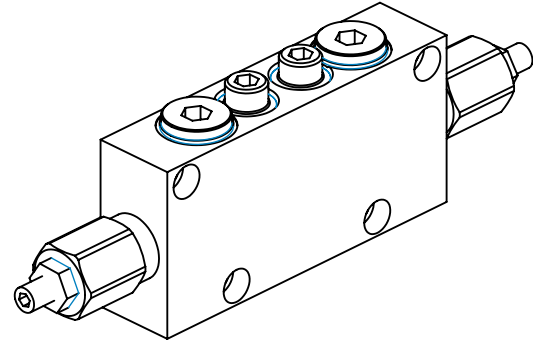
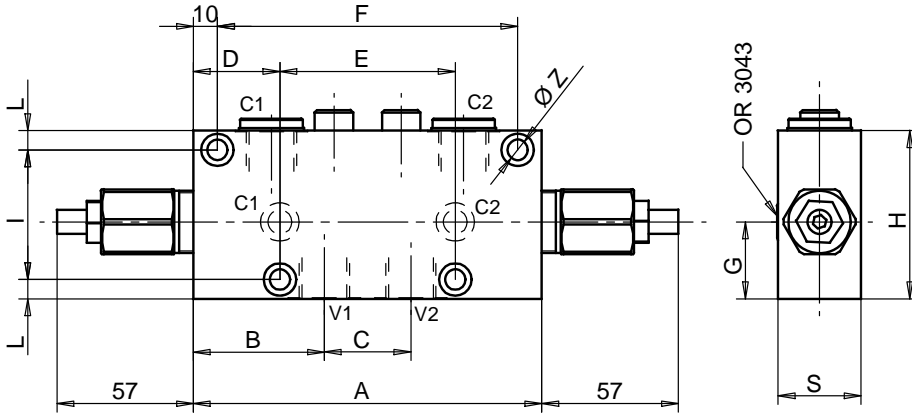
#### Port Size BSP

<b>03</b>	1/2
<b>04</b>	3/4

#### Pilot Ratio

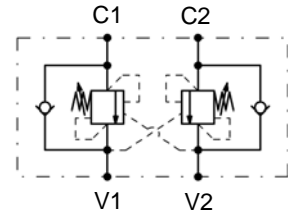
<b>3</b>	3,2 : 1
<b>8</b>	8,2 : 1

### Dimensions

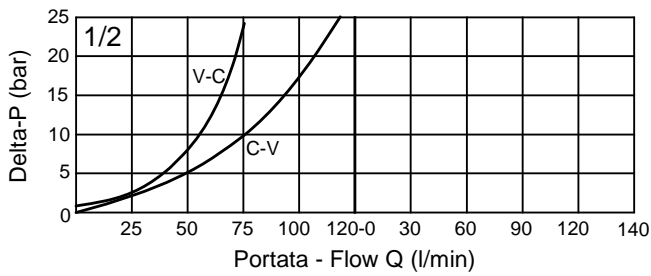


Size	A	B	C	D	E	F	G	H	I	L	S	Z	V1-V2 C1-C2
<b>03</b>	145	54,5	36	36	73	125	32	70	54	8	34,5	8,5	G 1/2

### Hydraulic Symbol



### Curves



### Features

<b>Max Pressure</b>	350 bar
<b>Pilot Ratio</b>	8,2:1 Standard 3,2:1 On request
<b>Std. Pressure range</b>	100 - 350 bar

**Materials:** Zinc plated steel cartridge, hardened steel inner parts.  
Aluminium manifold.

### Ordering Code

**CBSCDLF**

--

-

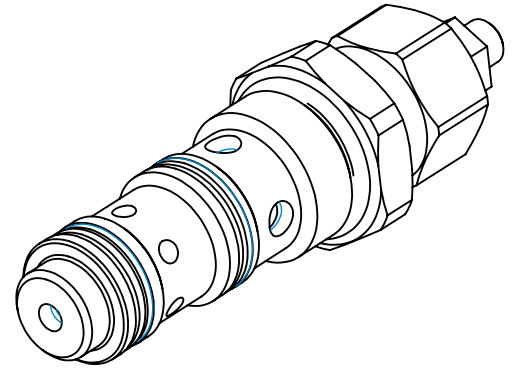
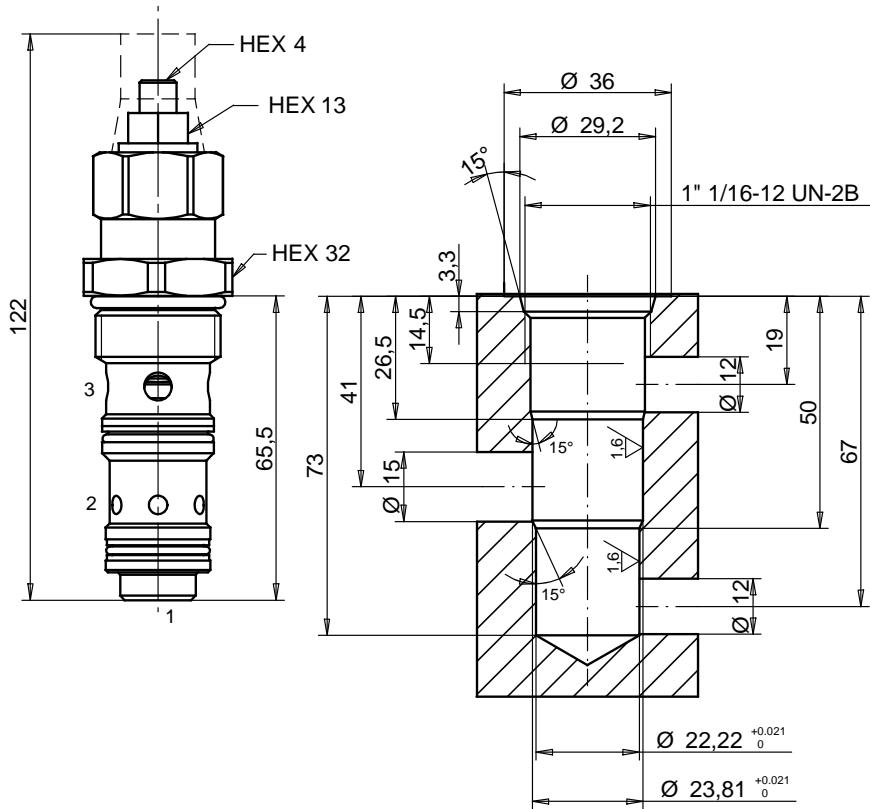
#### Port Size BSP

<b>03</b>	1/2
-----------	-----

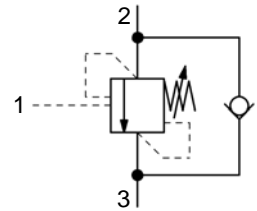
#### Pilot Ratio

<b>3</b>	3,2:1
<b>8</b>	8,2:1

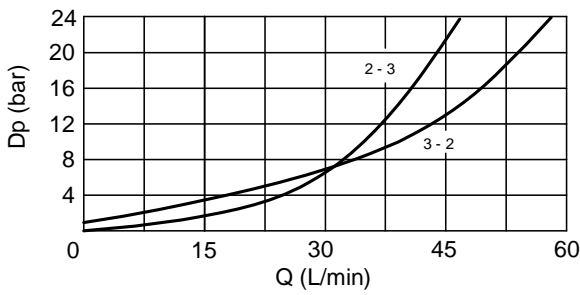
Dimensions



Hydraulic Symbol



Curves



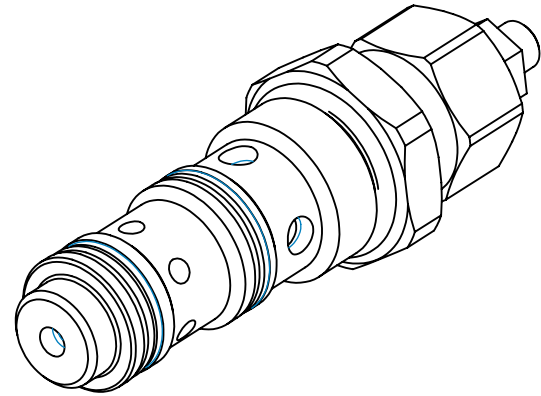
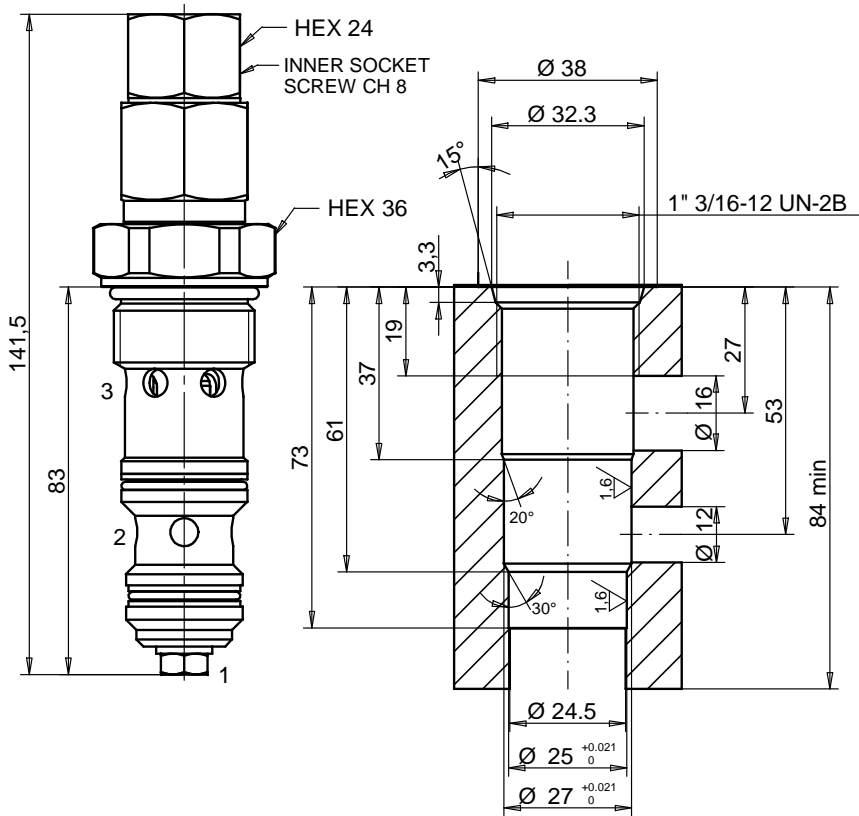
Features

Max Pressure	350 bar
Max Flow	60 lpm
Pilot Ratio	4,2:1 Standard
Std. Pressure range	100 - 350 bar
Installation Torque	115 - 126 Nm

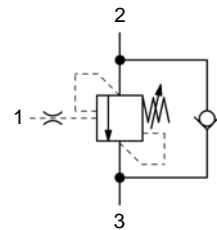
Ordering Code

CBC 60

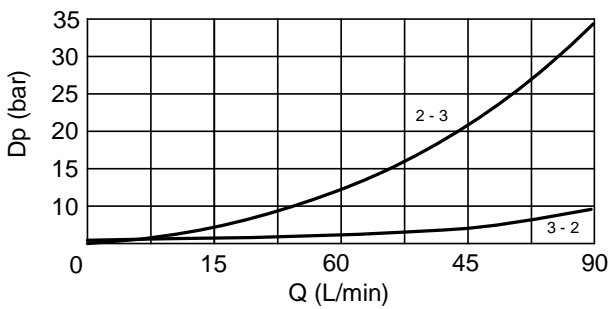
Dimensions



Hydraulic Symbol



Curves



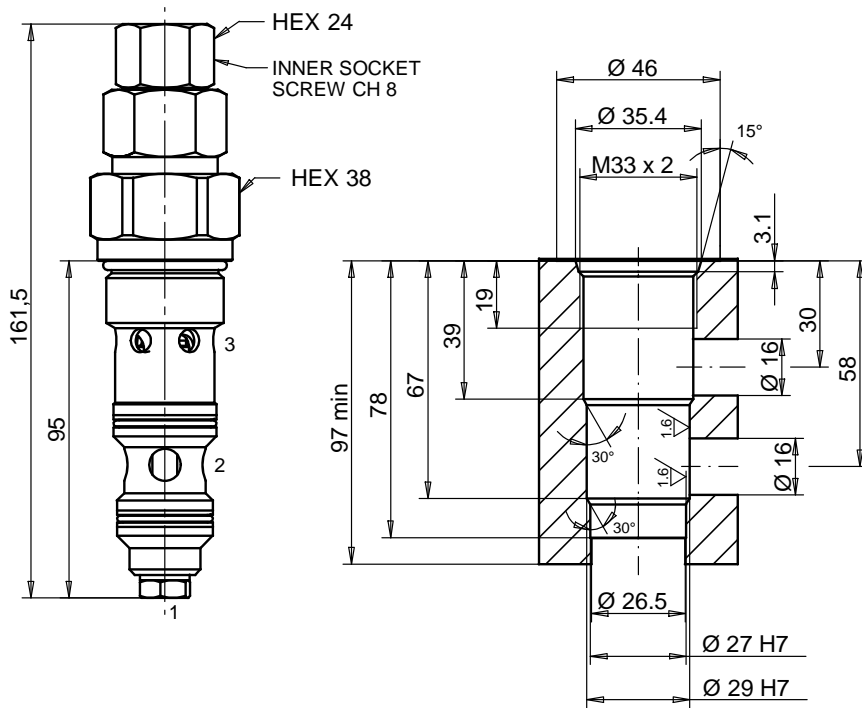
Features

Max Pressure	350 bar
Max Flow	90 lpm
Pilot Ratio	4,2:1 Standard
Std. Pressure range	100 - 350 bar
Installation Torque	140 - 155 Nm

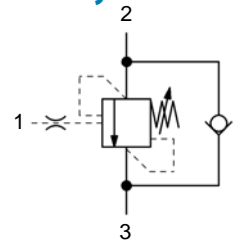
Ordering Code

CBC 90

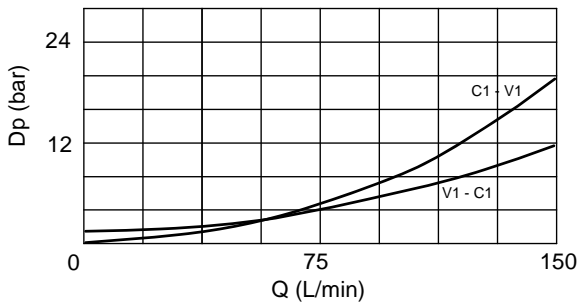
**Dimensions**



**Hydraulic Symbol**



**Curves**



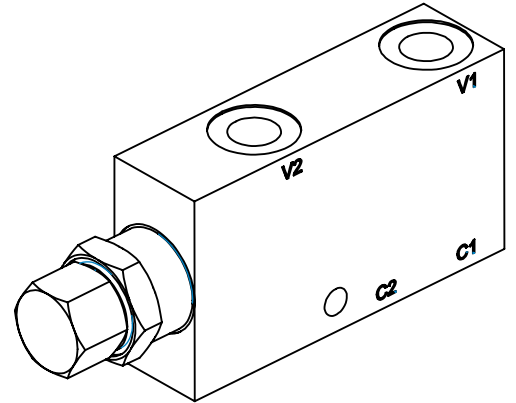
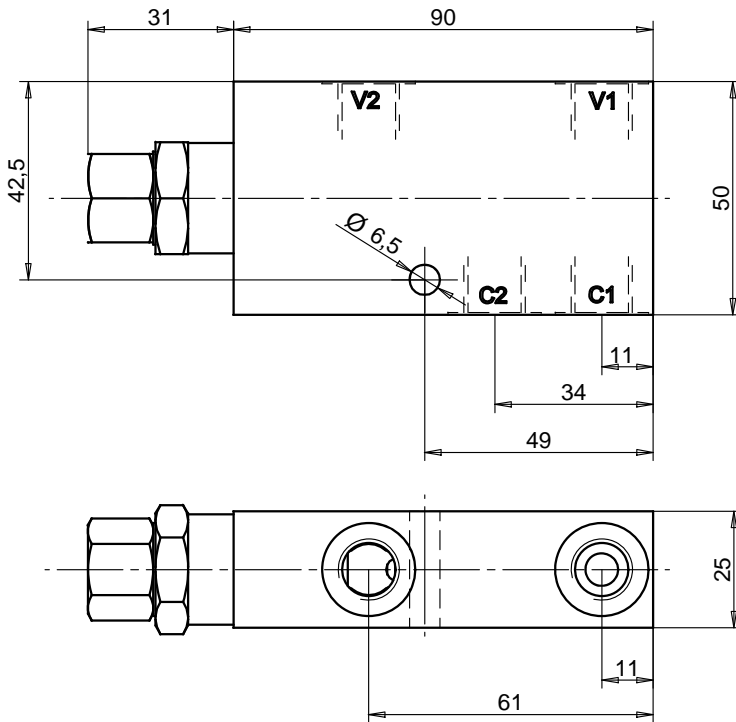
**Features**

Max Flow	150 lpm
Max Pressure	350 bar
Pilot Ratio	4:1 Standard
Std. Pressure range	200 - 225 bar

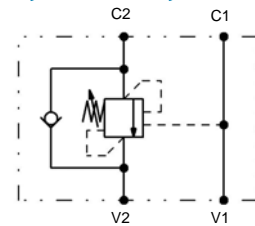
**Ordering Code**

**CBC 150**

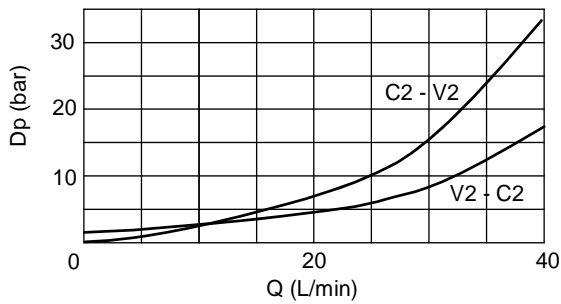
Dimensions



Hydraulic Symbol



Curves



Features

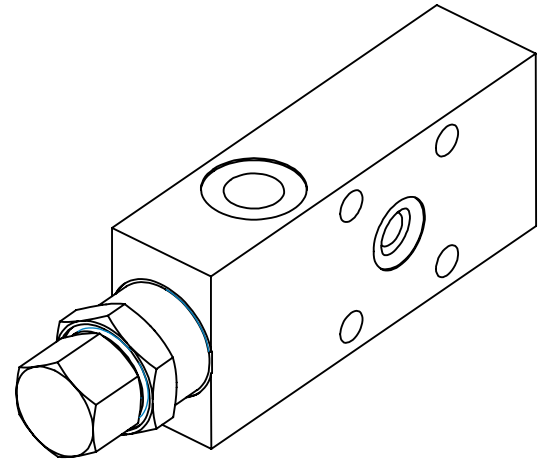
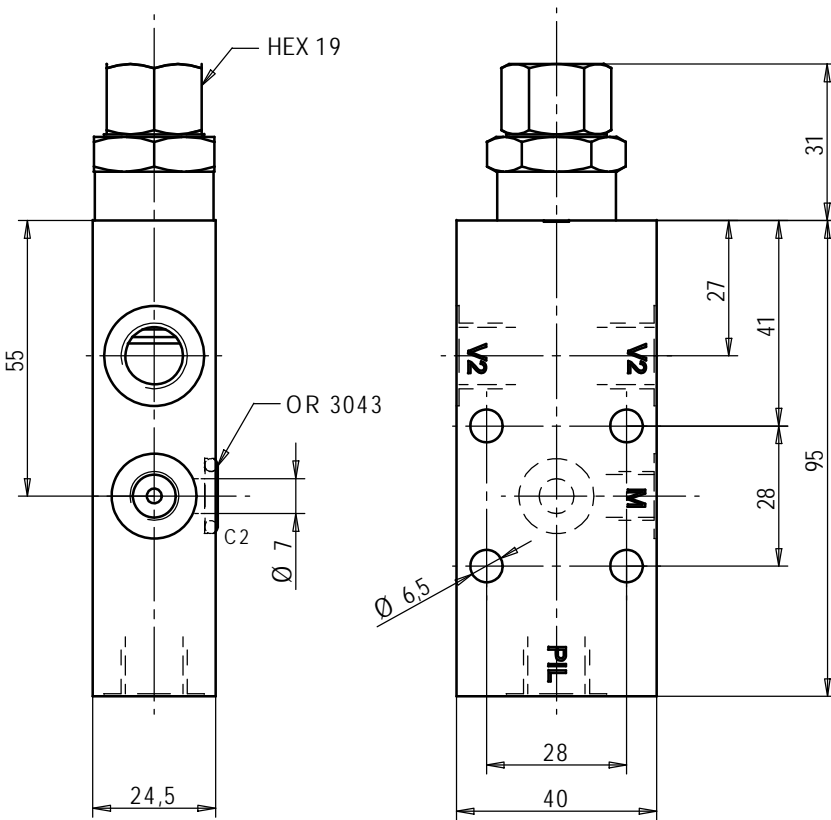
Max Flow	40 lpm
Max Pressure	220 bar
Pilot Ratio	4:1
Std. Pressure range	100 - 350 bar
Ports	V1-V2: G 1/4 C1-C2: G 1/4

**Materials:** Zinc plated steel cartridge, hardened steel inner parts. Aluminium manifold.

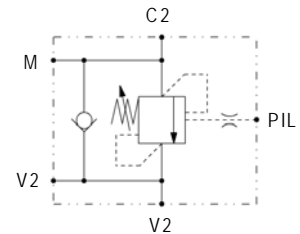
Ordering Code

CB40SL 01

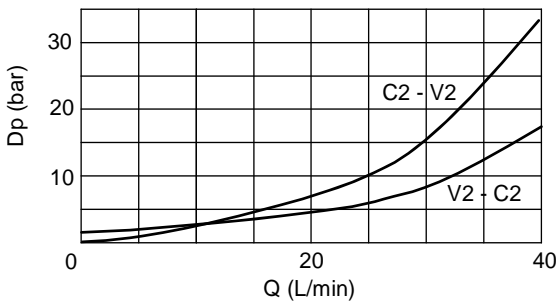
Dimensions



Hydraulic Symbol



Curves



Features

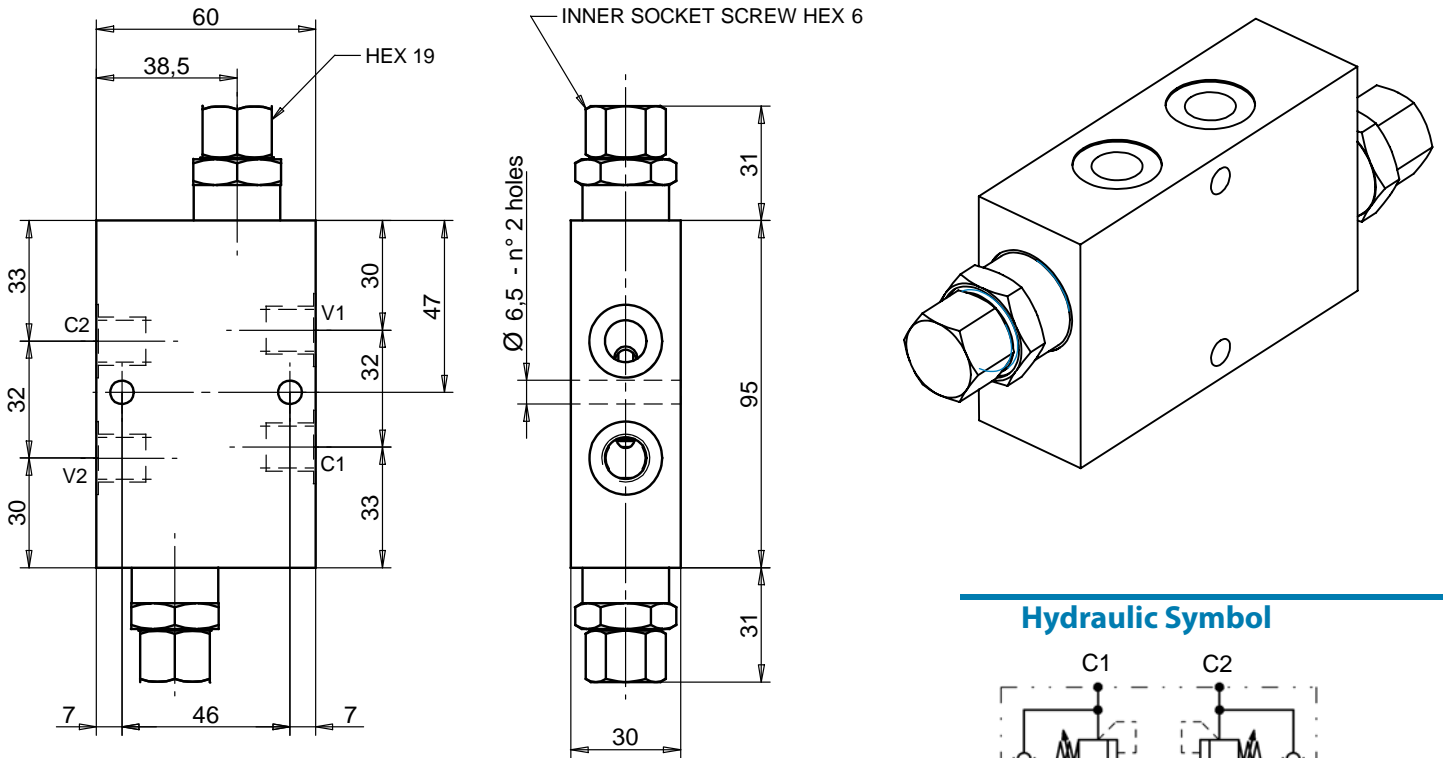
Max Flow	25 lpm
Max Pressure	350 bar
Pilot Ratio	4:1
Ports	V2-PIL: G 1/4 M: G 1/8

**Materials:** Zinc plated steel cartridge, hardened steel inner parts.  
Aluminium manifold.

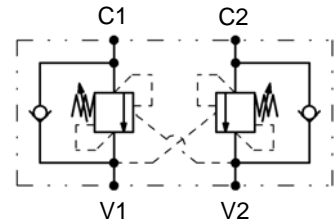
Ordering Code

CB40SLF 01

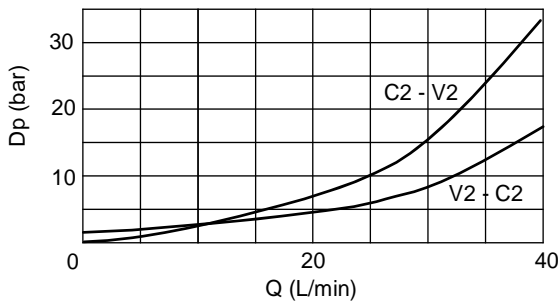
### Dimensions



### Hydraulic Symbol



### Curves



### Features

Max Flow	25 lpm
Max Pressure	350 bar
Pilot Ratio	4:1
Std. Pressure range	50 - 350 bar
Ports	V1-V2: G 1/4 C1-C2: G 1/4

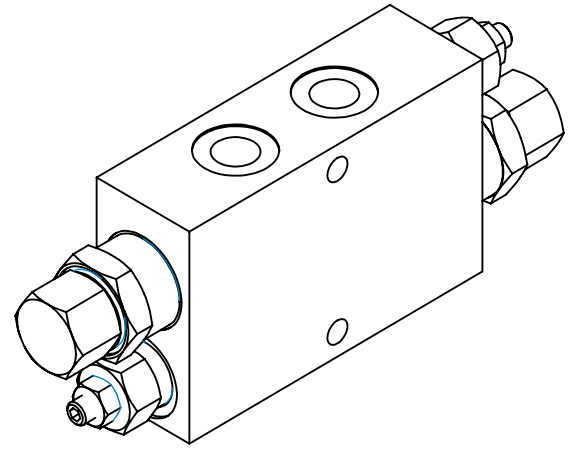
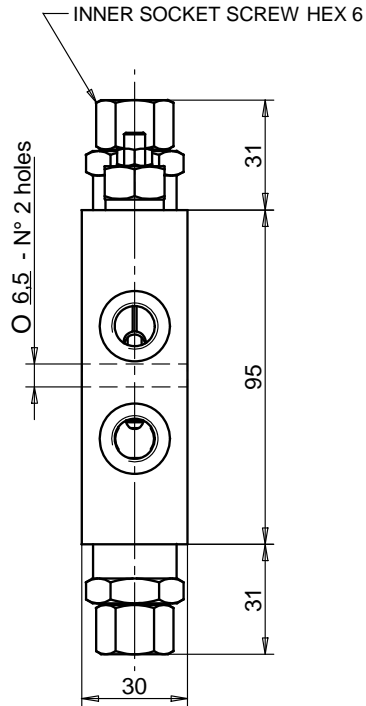
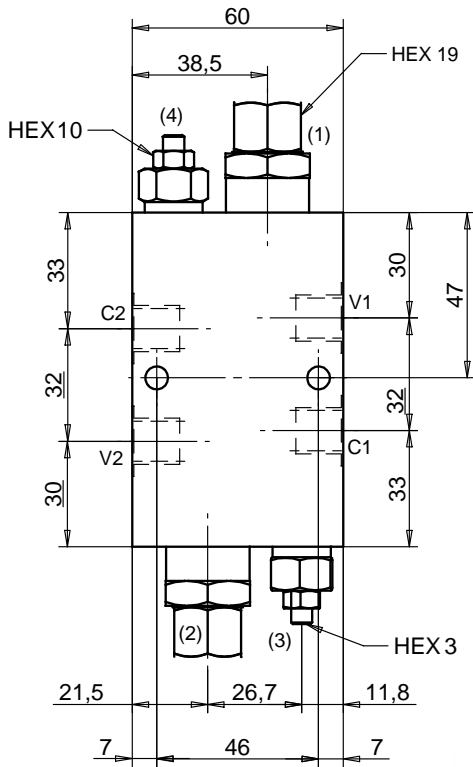
**Materials:** Zinc plated steel cartridge, hardened steel inner parts. Aluminium manifold.

### Ordering Code

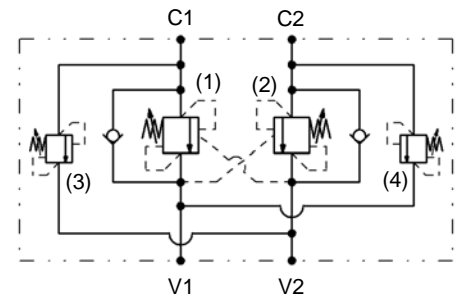
**CB40DL 01**



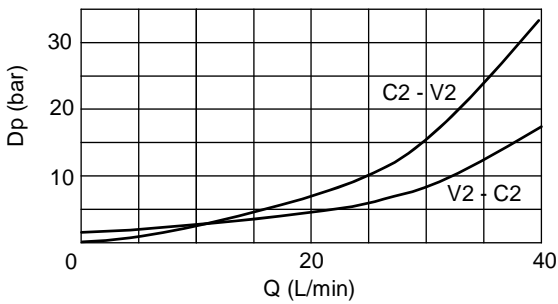
## Dimensions



## Hydraulic Symbol



## Curves



## Features

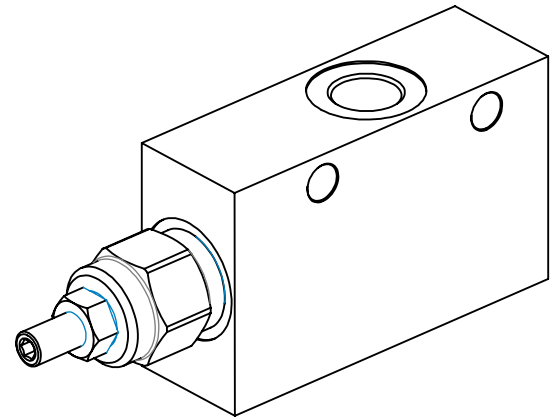
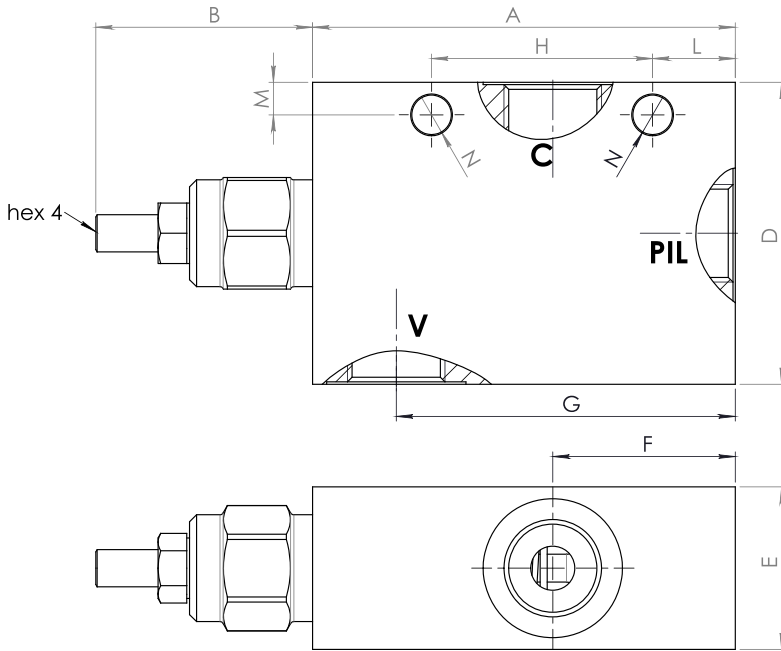
Max Flow	25 lpm
Max Pressure	350 bar
Pilot Ratio	4:1
Std. Pressure range	50-350 bar
Ports	V1-V2: G 1/4 C1-C2: G 1/4

**Materials:** Zinc plated steel cartridge, hardened steel inner parts. Aluminium manifold.

## Ordering Code

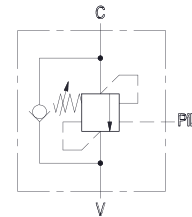
**CB40DLR 01**

**Dimensions**

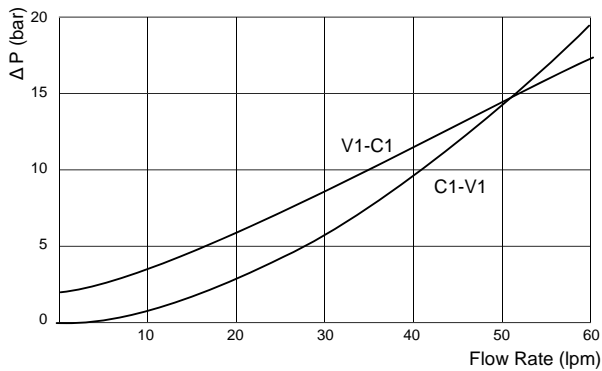


Size	A	B	C-V-PIL BSP	D	E	F	G	H	L	M	N	Weight kg
<b>02</b>	91	47	3/8	55	30	39,3	70,3	47,6	17,8	7	8,5	1,18
<b>03</b>	91	47	1/2	65	35	39,3	70,3	47,6	17,8	11	8,5	1,50

**Hydraulic Symbol**



**Curves**



**Features**

<b>Rated Flow</b>	60 lpm
<b>Max Pressure</b>	350 bar

**Materials:** Zinc plated steel manifold, hardened steel inner parts.

**Notice:** Relief setting at least 1,3 times the highest expected load-induced pressure.

**Ordering Code**

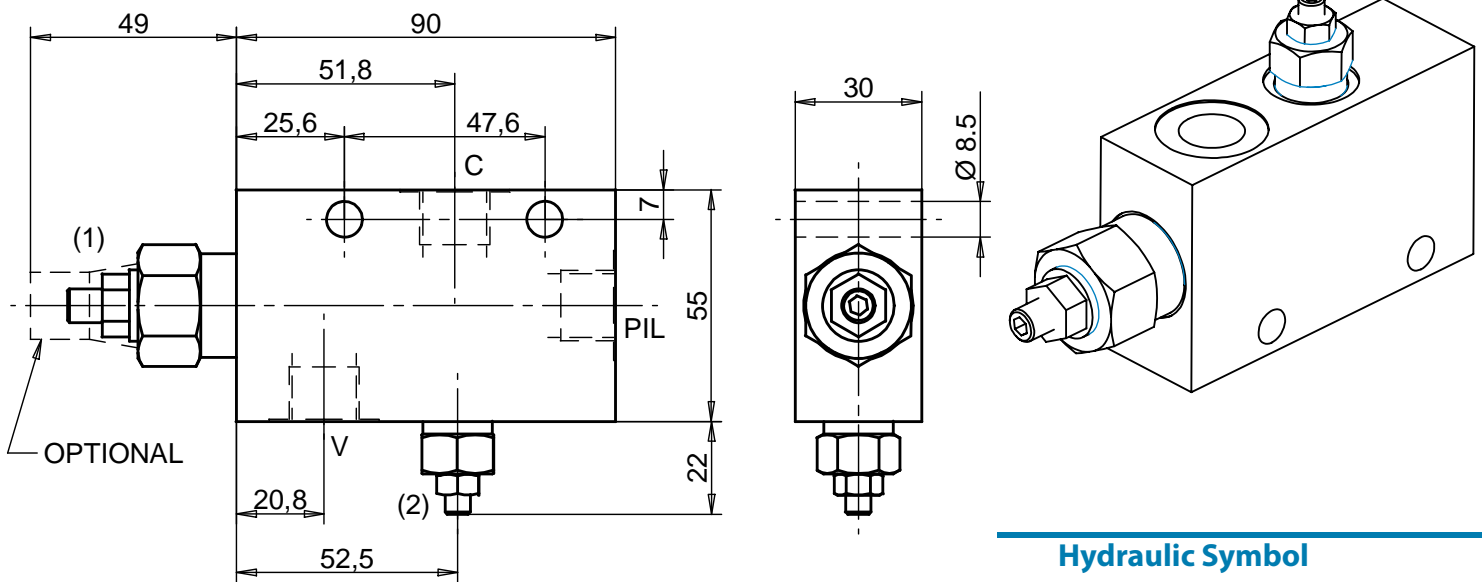
**CBSEP** -- -- -

	Port Size BSP	Spring		
		Pressure Range (bar)	Increase (bar/turn)	Standard Setting (bar) Q=5 lpm
<b>02</b>	3/8			
<b>03</b>	1/2			
<b>20</b>		60 - 210	61	180
<b>30</b>		100 - 350	100	250

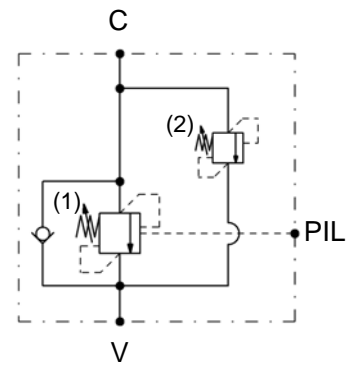
Pilot Ratio	
	4,2 : 1
<b>8</b>	8 : 1

**Ordering Code Example:** **CBSEP0330** = 1/2 BSP Ports - 100-350 bar setting range, 4,2:1 Pilot Ratio.

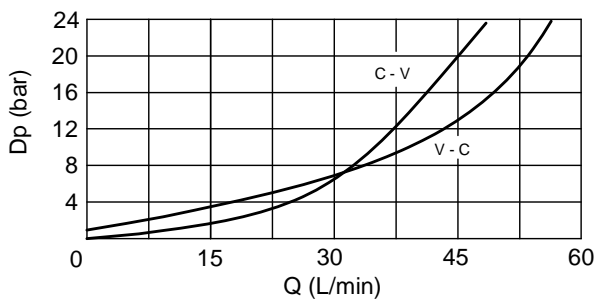
**Dimensions**



**Hydraulic Symbol**



**Curves**



**Features**

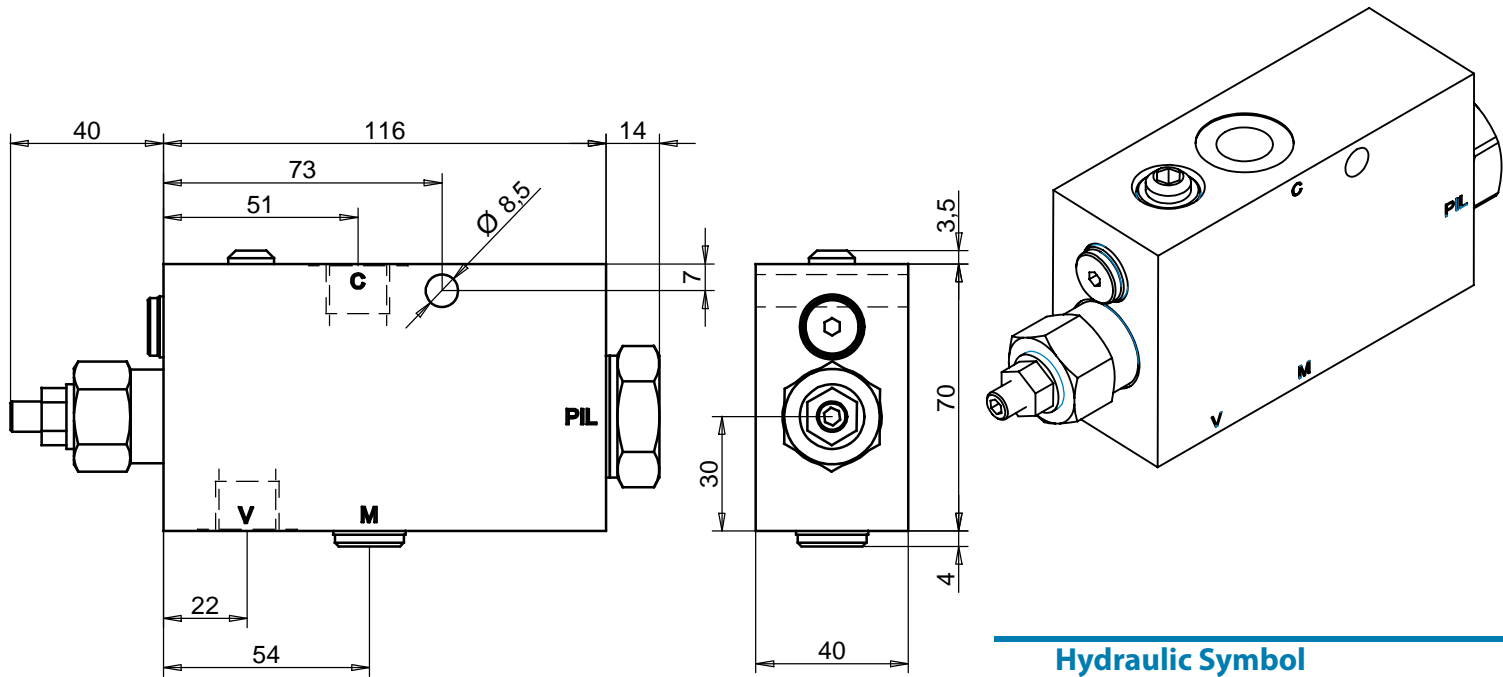
<b>Max Flow</b>	40 lpm
<b>Max Pressure</b>	350 bar
<b>Pilot Ratio</b>	4,2:1 Standard
<b>Std. Pressure range</b>	100-350 bar
<b>Ports</b>	3/8 bsp

**Materials:** Zinc plated steel cartridge, hardened steel inner parts.  
Aluminium manifold.

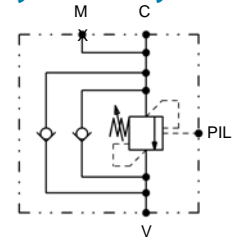
**Ordering Code**

**CBSEPR 02**

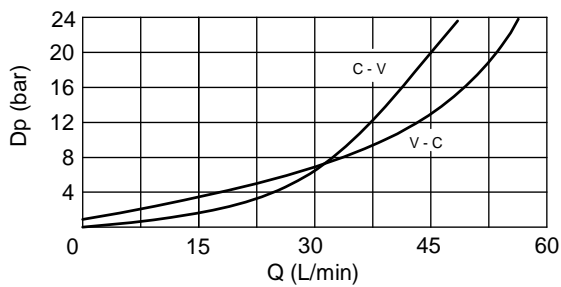
### Dimensions



### Hydraulic Symbol



### Curves



### Features

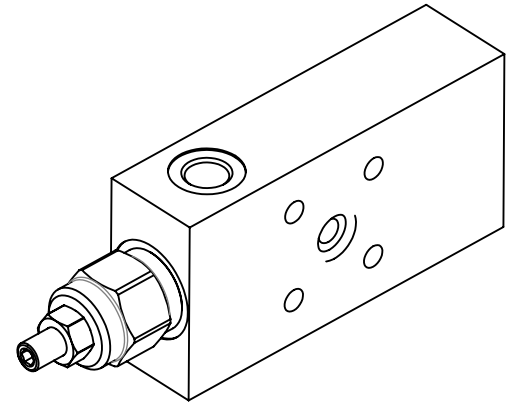
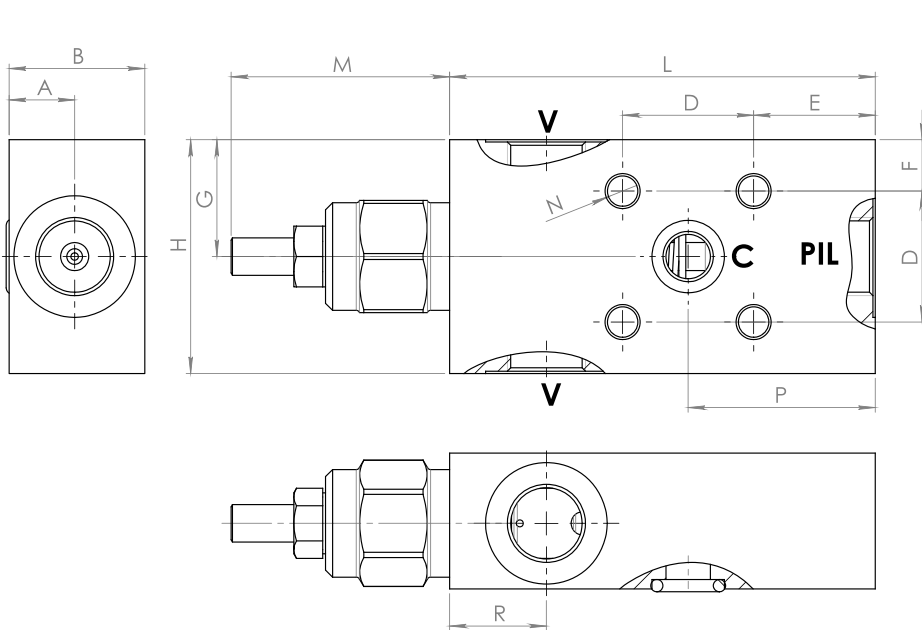
Max Flow	45 lpm
Max Pressure	350 bar
Pilot Ratio	23,2:1
Std. Pressure range	100 - 350 bar
Ports	V-C: G 3/8 M-PIL: G 1/4

**Materials:** Zinc plated steel cartridge, hardened steel inner parts. Aluminium manifold.

### Ordering Code

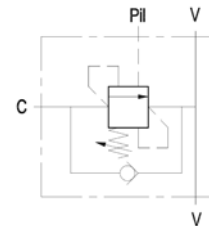
**CBSEPACR 02**

### Dimensions

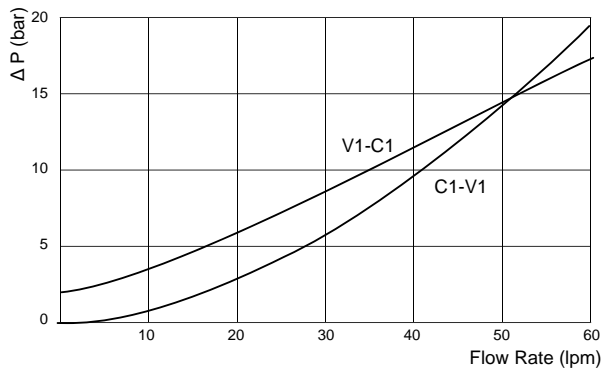


Size	A	B	C-V-PIL	D	E	F	G	H	L	M MAX	N	Weight kg
<b>02</b>	14	29	3/8	28	26	11	25	50	91	47	6,5	0,97

### Hydraulic Symbol



### Curves



### Features

Max Flow	60 lpm
Max Pressure	350 bar

**Materials:** Zinc plated steel manifold, hardened steel inner parts.

**Notice:** Relief setting at least 1,3 times the highest expected load-induced pressure.

### Ordering Code

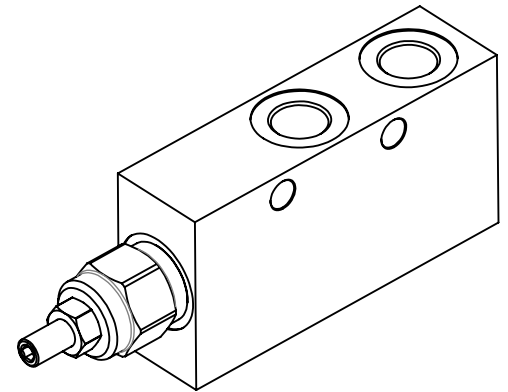
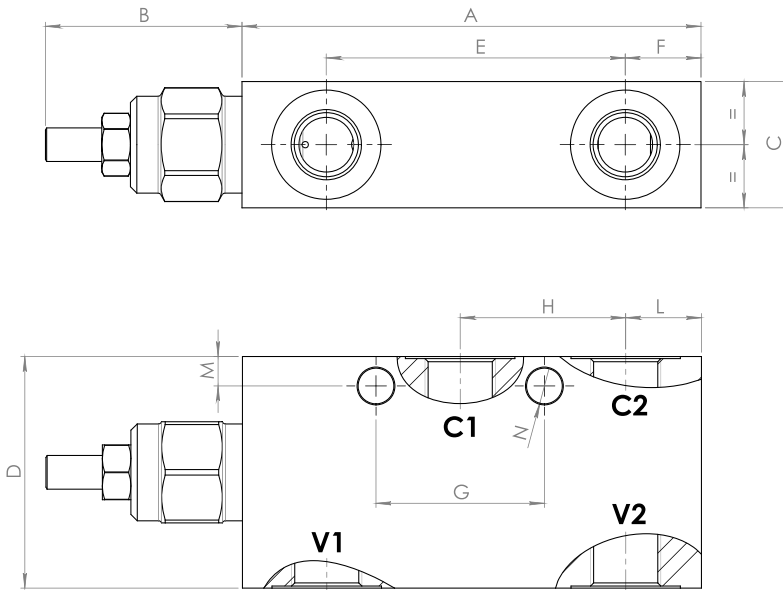
**CBSEPF** -- -- -

Port Size BSP	Spring		
	Pressure Range (bar)	Increase (bar/turn)	Standard Setting (bar) Q=5 lpm
<b>02</b>	3/8		
<b>20</b>	60 - 210	61	180
<b>30</b>	100 - 350	100	250

Pilot Ratio	
	4,2 : 1
<b>8</b>	8 : 1

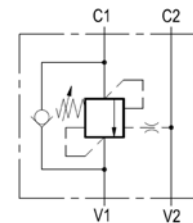
**Ordering Code Example:** CBSEPF0230 = 1/2 BSP Ports - 100-350 bar setting range, 4,2:1 Pilot Ratio.

### Dimensions

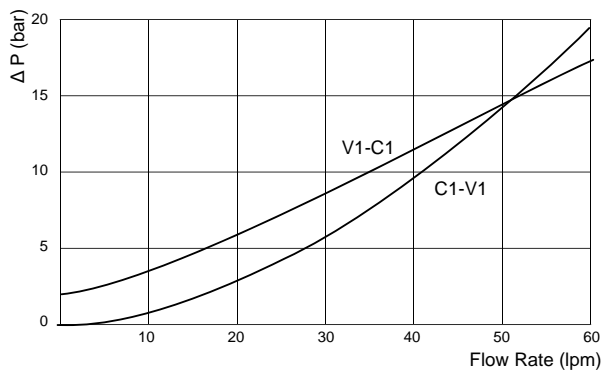


Size	A	B	C	C1 - C2 V1 - V2	D	E	F	G	H	L	M	N	Weight kg
<b>02</b>	109	47	30	3/8	55	71	18	40	39,3	18	7	8,5	1,18
<b>03</b>	109	47	35	1/2	65	71	18	40	39,3	18	8	8,5	1,75

### Hydraulic Symbol



### Curves



### Features

<b>Rated Flow</b>	60 lpm
<b>Max Pressure</b>	350 bar

**Materials:** Zinc plated steel manifold, hardened steel inner parts.

**Notice:** Relief setting at least 1,3 times the highest expected load-induced pressure.

### Ordering Code

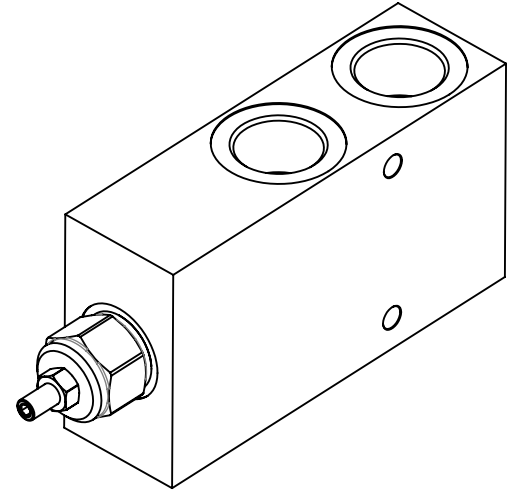
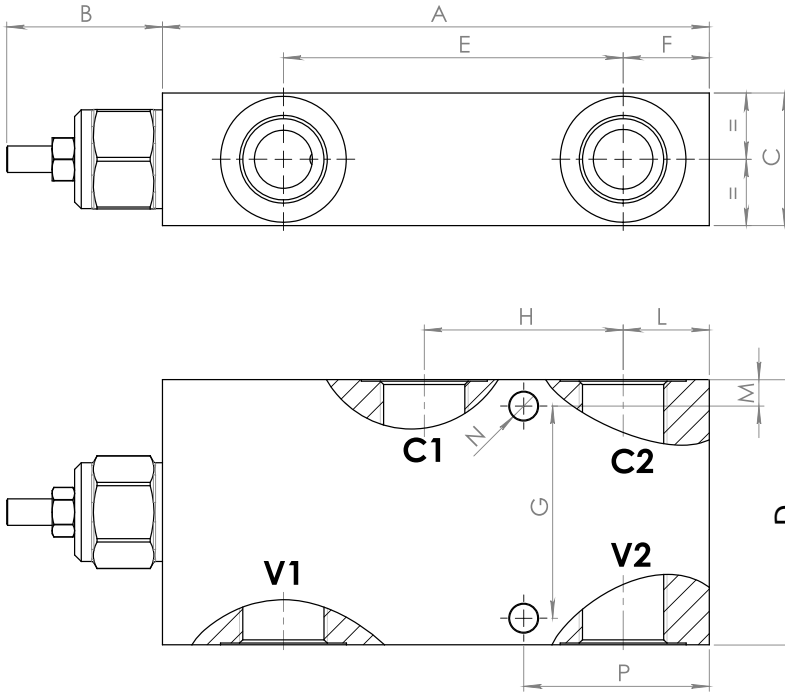
**CBSL** -- -- -

Port Size BSP	Spring		
	Pressure Range (bar)	Increase (bar/turn)	Standard Setting (bar) Q=5 lpm
<b>02</b>	3/8		
<b>03</b>	1/2		
	<b>20</b>	60 - 210	61
	<b>30</b>	100 - 350	100
			180
			250

Pilot Ratio	
	4,2 : 1
<b>8</b>	8 : 1

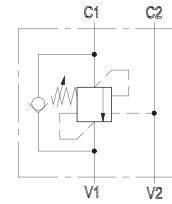
**Ordering Code Example:** CBSL0330 = 1/2 BSP Ports - 100-350 bar setting range, 4,2:1 Pilot Ratio.

### Dimensions

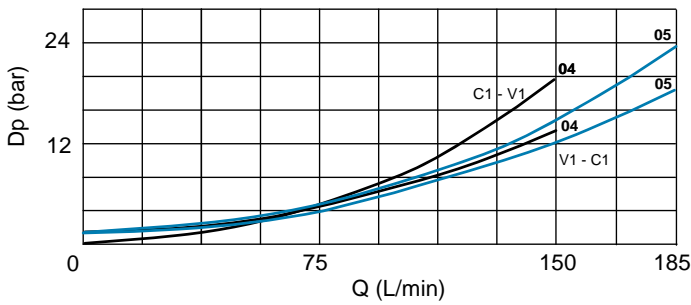


Size	A	B <sub>max</sub>	C	C1 - C2 V1 - V2	D	E	F	G	H	L	M	N	P	Weight kg
04	165	47	40	3/4	80	102,5	26	64	60	26	8	8,5	56	1,53
05	165	47	50	1	90	102,5	26	64	60	26	13	8,5	56	2,04

### Hydraulic Symbol



### Curves



### Features

Rated Flow	(04) 150 lpm - (05) 180 lpm
Max Pressure	350 bar
Pilot Ratio	6:1

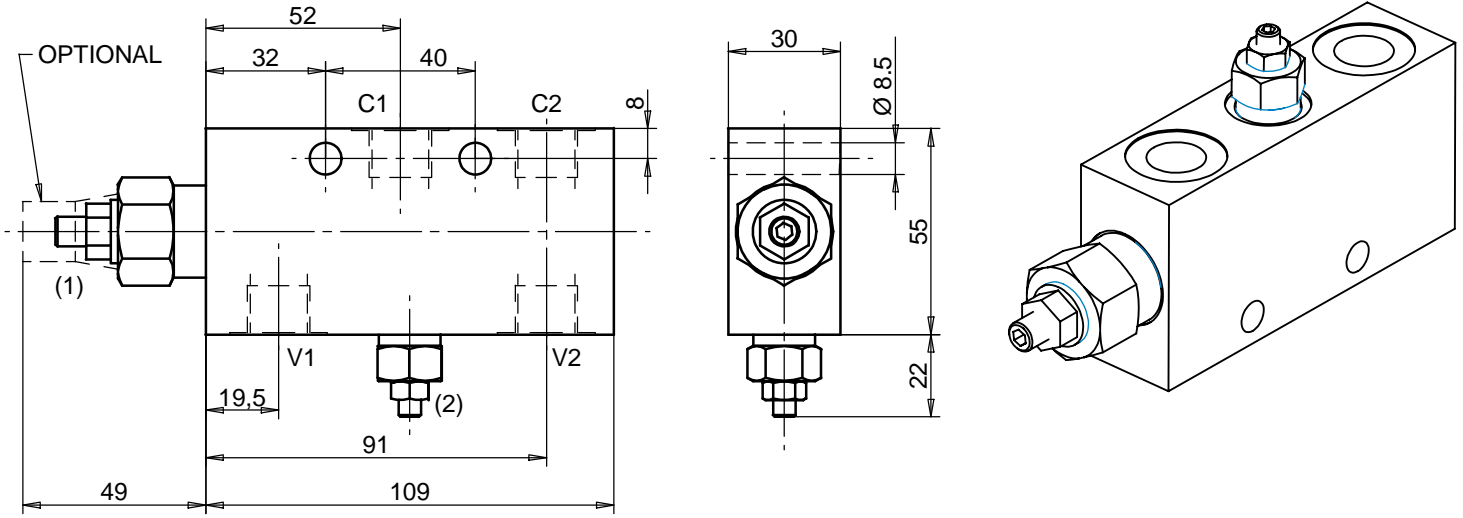
**Materials:** Zinc plated steel cartridge, hardened steel inner parts.  
Aluminium manifold.

### Ordering Code

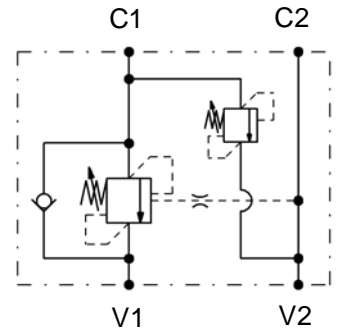
**CBSLA** -- --

Port Size BSP		Spring		
04	3/4	Pressure Range (bar)	Increase (bar/turn)	Standard Setting (bar) Q=5 lpm
05	1	20	35	150
		30	60	200

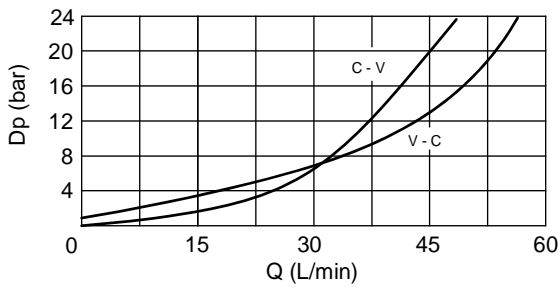
Dimensions



Hydraulic Symbol



Curves



Features

Max Flow	40 lpm
Max Pressure	350 bar
Pilot Ratio	4,2:1 Standard
Std. Pressure range	100 - 350 bar
Ports	3/8 bsp

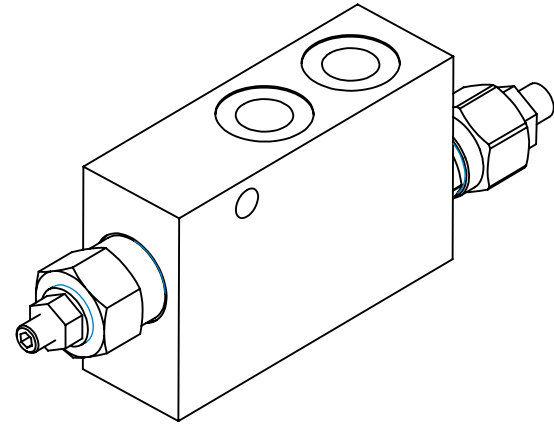
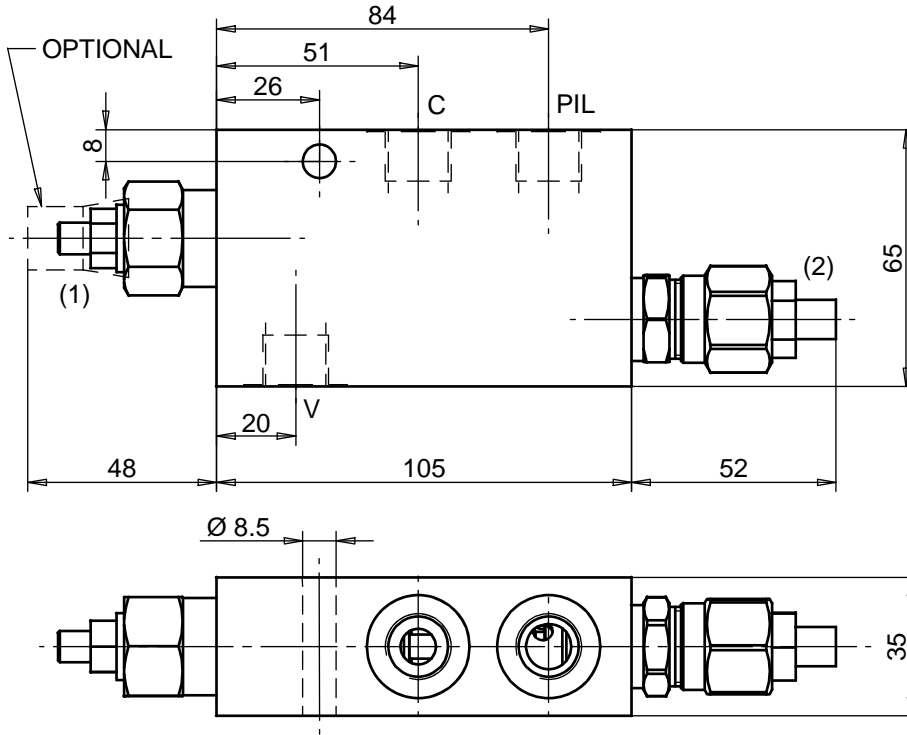
**Materials:** Zinc plated steel manifold, hardened steel inner parts.

Ordering Code

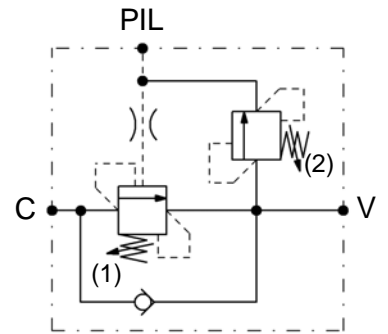
CBSLR 02



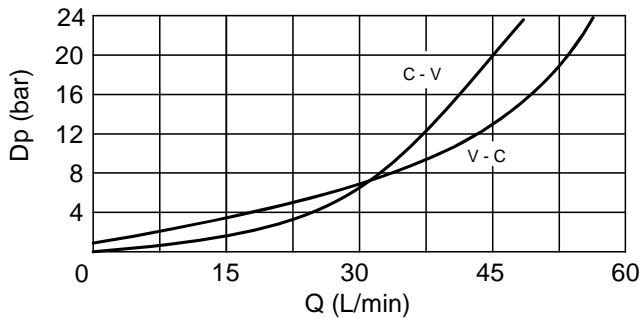
**Dimensions**



**Hydraulic Symbol**



**Curves**



**Features**

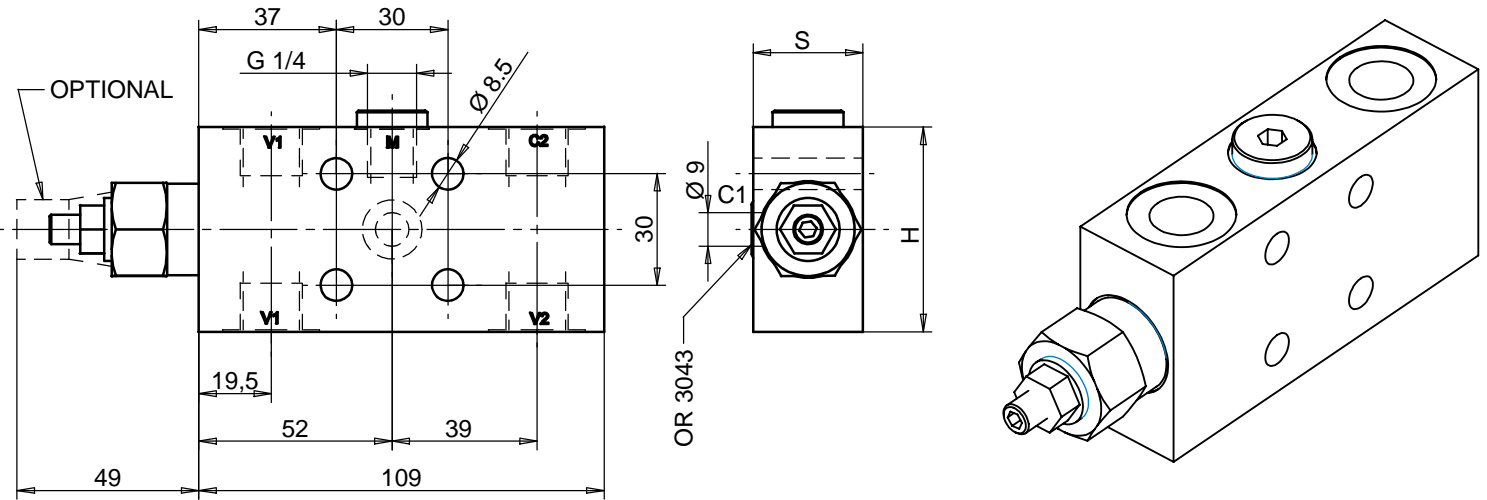
<b>Max Flow</b>	40 lpm
<b>Max Pressure</b>	250 bar
<b>Pilot Ratio</b>	4,2:1 Standard
<b>Std. Pressure range</b>	(1) - (2): 100 - 350 bar
<b>Ports</b>	3/8 bsp

**Materials:** Zinc plated steel manifold, hardened steel inner parts.

**Ordering Code**

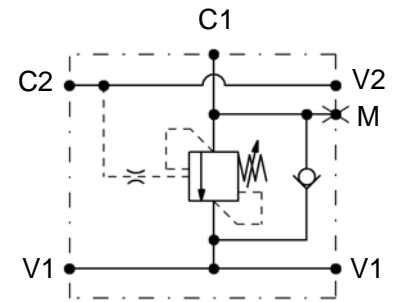
**CBSL35R 02**

**Dimensions**

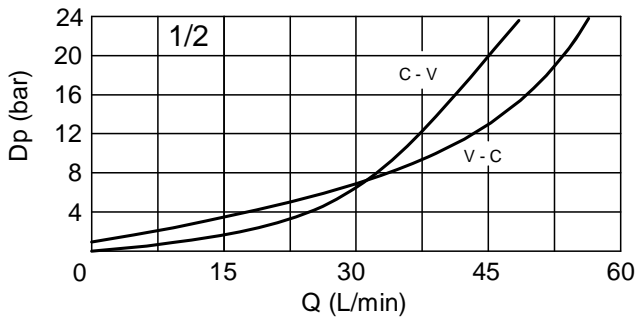


Size	V1-V2 C2	H	S
01	G 1/4	55	30
02	G 3/8	55	30
03	G 1/2	65	35

**Hydraulic Symbol**



**Curves**



**Features**

Max Flow	60 lpm
Max Pressure	350 bar
Pilot Ratio	4,2:1 Standard
Std. Pressure range	100 - 350 bar

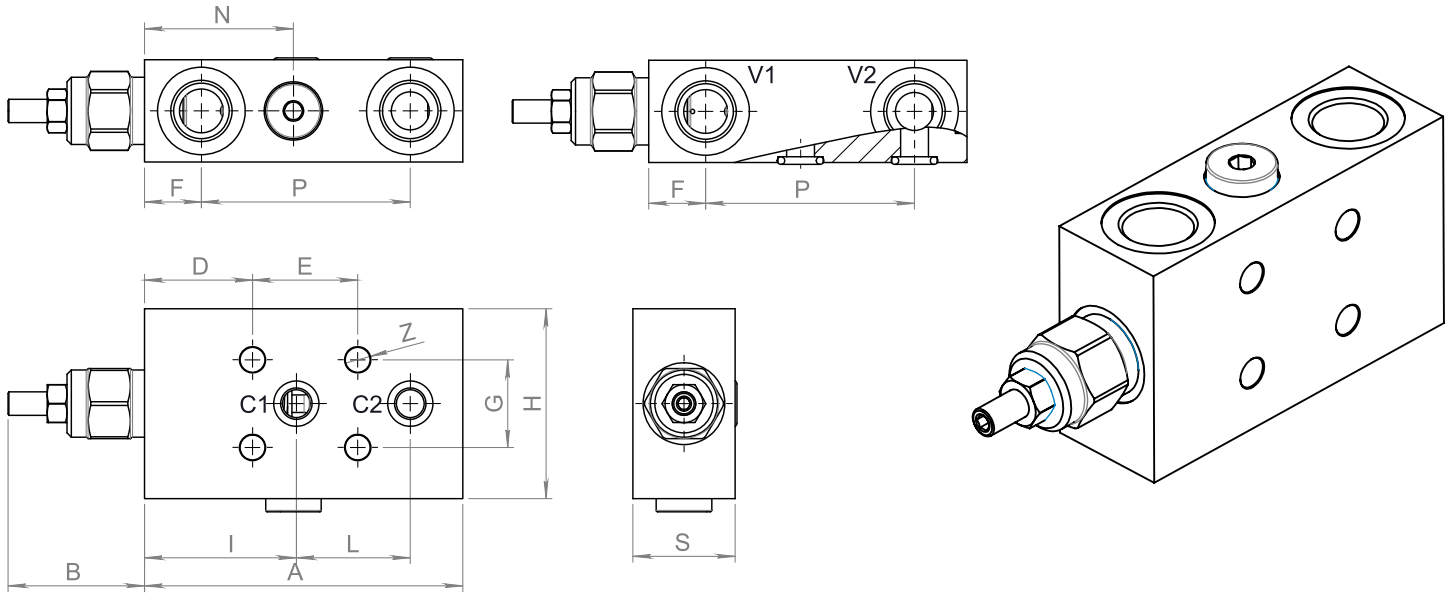
**Materials:** Zinc plated steel manifold, hardened steel inner parts.

**Ordering Code**

**CBSL1F** --

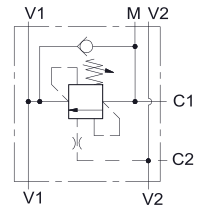
Port Size BSP	
01	1/4
02	3/8
03	1/2

### Dimensions

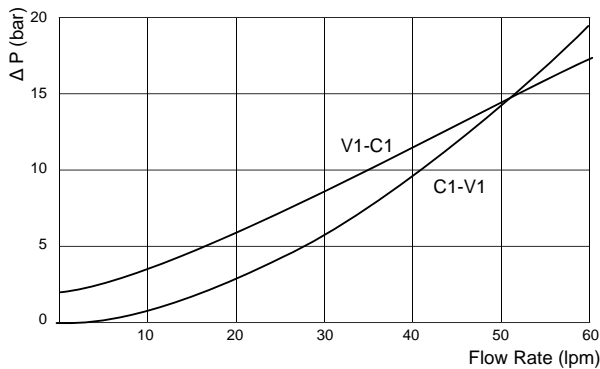


Size	C1 - C2 V1 - V2 bsp	M bsp	A	B	D	E	F	G	H	I	L	N	P	S	Z	Weight kg
<b>01</b>	1/4	1/4	109	46,7	37	36	20,7	30	55	51,7	39,3	51	70,3	30	8,5	1,31
<b>02</b>	3/8	1/4	109	46,7	37	36	20,7	30	55	51,7	39,3	51	70,3	30	8,5	1,26
<b>03</b>	1/2	1/4	109	46,7	37	36	19,5	30	65	52	39	51	71,5	35	8,5	1,74

### Hydraulic Symbol



### Curves



### Features

<b>Max Flow</b>	30 lpm
<b>Max Pressure</b>	350 bar
<b>Pilot Ratio</b>	4,2:1 Standard 7:1 - 11:1 On request
<b>Std. Pressure range</b>	100-350 bar

**Notice:** Relief setting at least 1,3 times the highest expected load-induced pressure.

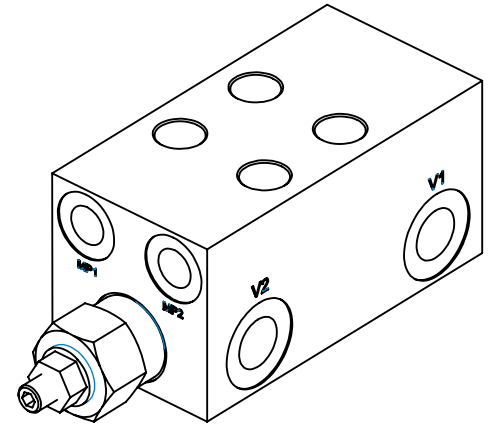
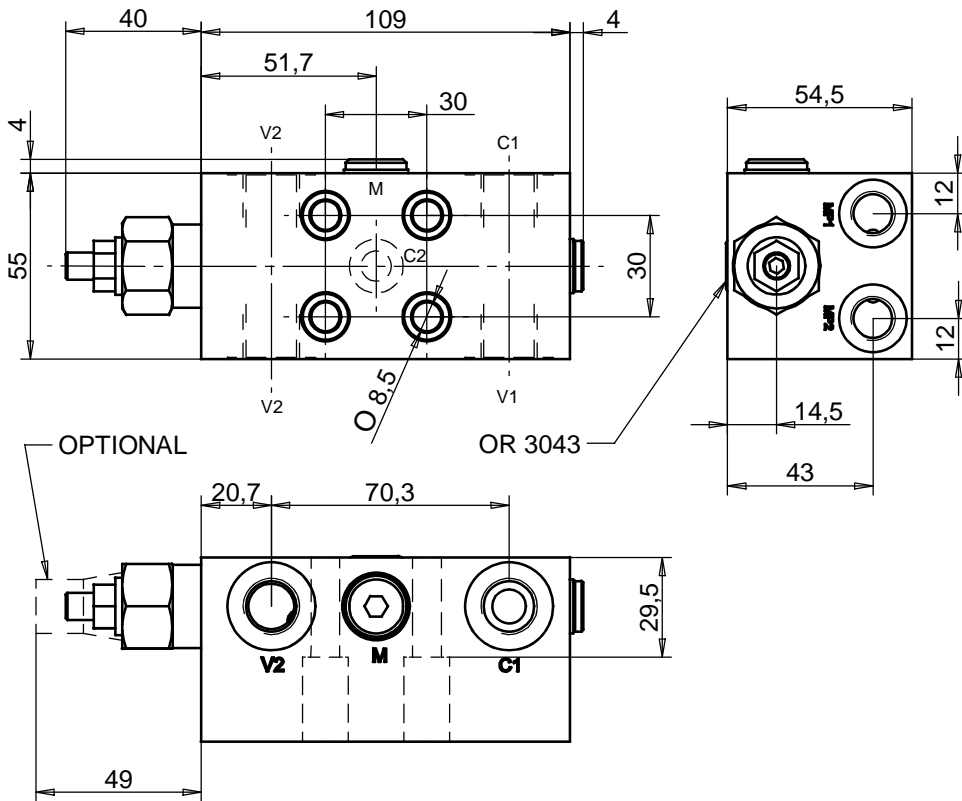
### Ordering Code

**CBSL2F** -- -- -

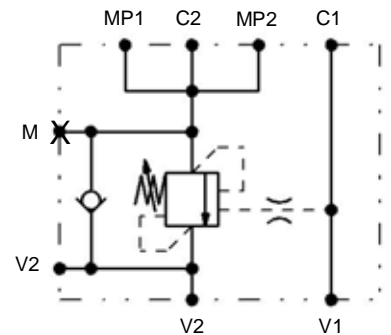
Port Size BSP		Spring		
		Pressure Range (bar)	Increase (bar/turn)	Standard Setting (bar) Q=5 lpm
<b>01</b>	1/4	20	61	180
<b>02</b>	3/8			
<b>03</b>	1/2	30	100	250

Pilot Ratio	
	4,2 : 1
<b>8</b>	8 : 1

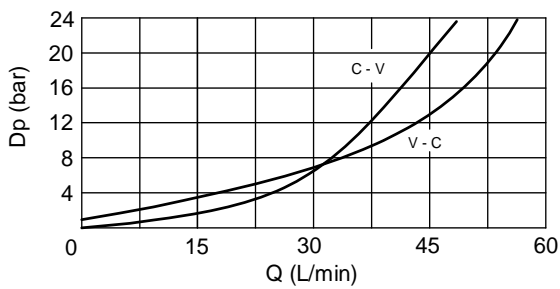
**Dimensions**



**Hydraulic Symbol**



**Curves**



**Materials:** Zinc plated steel body

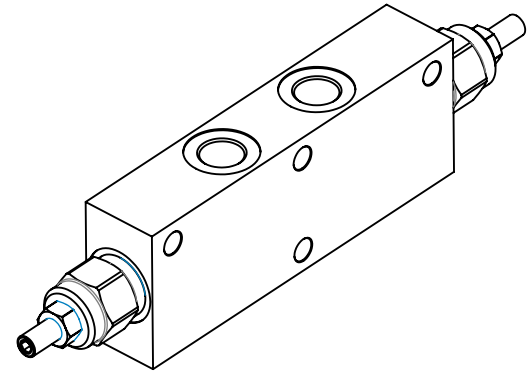
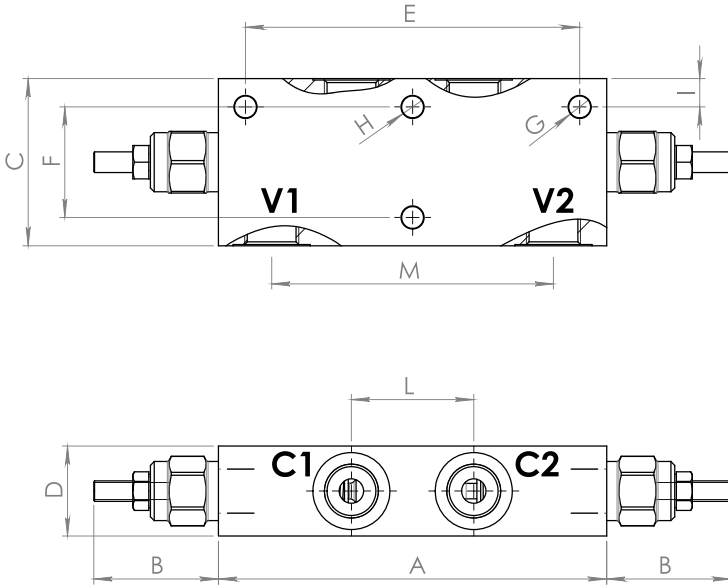
**Features**

<b>Max Flow</b>	40 lpm
<b>Max Pressure</b>	350 bar
<b>Pilot Ratio</b>	4,2:1
<b>Std. Pressure range</b>	100 - 350 bar
<b>Ports</b>	V1-V2-C1: G 3/8 MP1-MP2: G 1/4 M: G 1/4 C2: $\varnothing 9$

**Ordering Code**

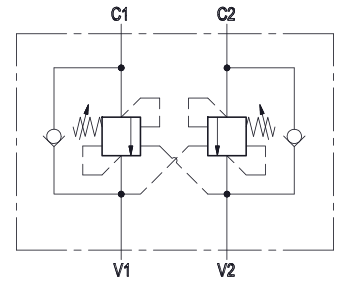
**CBSL1FMP 02**

**Dimensions**

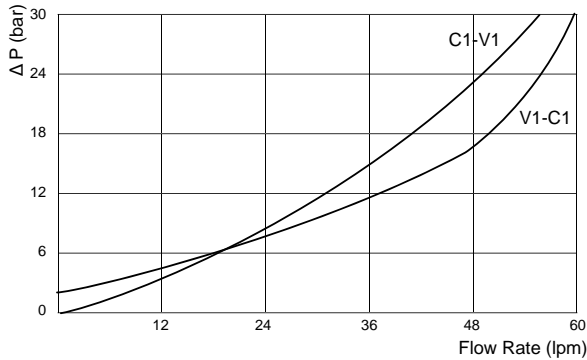


Size	A	B max	C	C1 - C2 V1 - V2 BSP	D	E	F	G	H	I	L	M	Weight kg
<b>02</b>	151	48,5	55	3/8	30	130	38	8,5	8,5	10	47,6	109,6	1,89
<b>03</b>	151	48,5	65	1/2	35	130	43	9	8,5	10	47,6	109,6	2,52

**Hydraulic Symbol**



**Curves**



**Features**

<b>Rated Flow</b>	60 lpm
<b>Max Pressure</b>	350 bar

**Materials:** Zinc plated steel manifold, hardened steel inner parts.

**Notice:** Relief setting at least 1,3 times the highest expected load-induced pressure.

**Ordering Code**

**CBDL** -- -- -

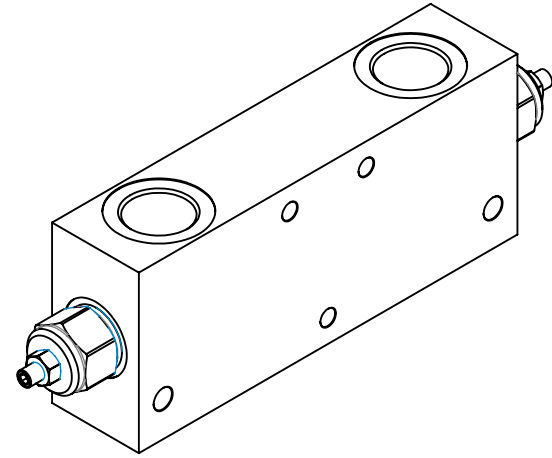
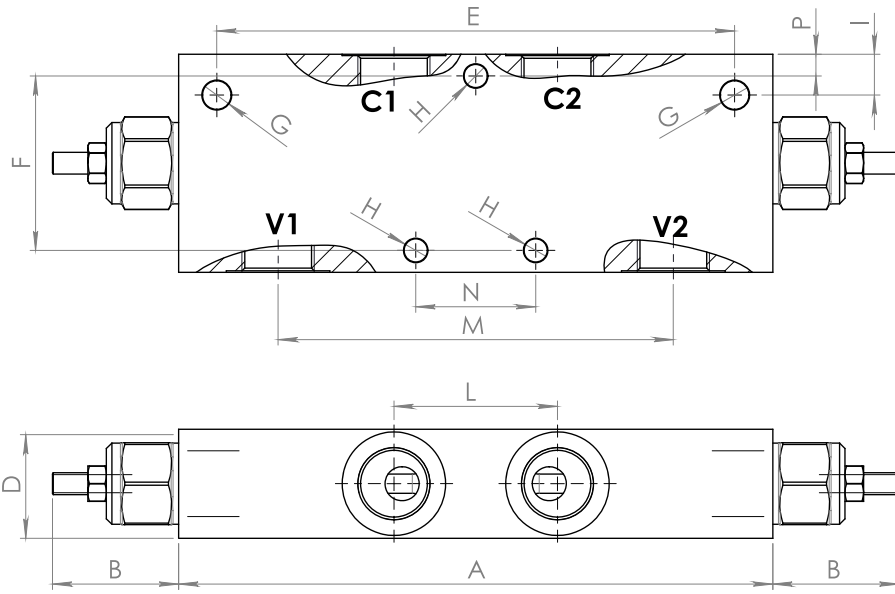
Port Size BSP	
<b>02</b>	3/8
<b>03</b>	1/2

Spring			
	Pressure Range (bar)	Increase (bar/turn)	Standard Setting (bar) Q=5 lpm
<b>20</b>	60 - 210	61	180
<b>30</b>	100 - 350	100	250

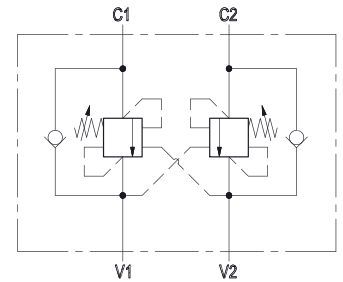
Pilot Ratio	
	4,2 : 1
<b>8</b>	8 : 1

**Ordering Code Example:** **CBDL0330** = 1/2 BSP Ports - 100-350 bar setting range, 4,2:1 Pilot Ratio.

**Dimensions**

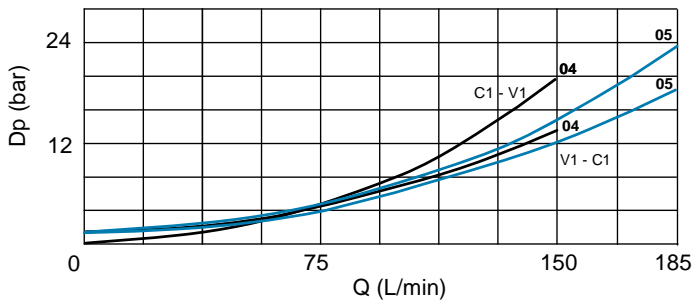


**Hydraulic Symbol**



Size	A	B max	C	C1 - C2 V1 - V2 BSP	D	E	F	G	H	I	L	M	N	P	Weight kg
04	218	43,5	80	3/4	40	190	64	10,5	8,5	15	60	145	44	8	2,22
05	218	43,5	90	1	50	190	64	10,5	8,5	20	60	145	44	13	2,27

**Curves**



**Features**

<b>Rated Flow</b>	(04) 150 lpm - (05) 180 lpm
<b>Max Pressure</b>	350 bar
<b>Pilot Ratio</b>	6:1

**Materials:** Zinc plated steel cartridge, hardened steel inner parts.  
Aluminium manifold.

**Ordering Code**

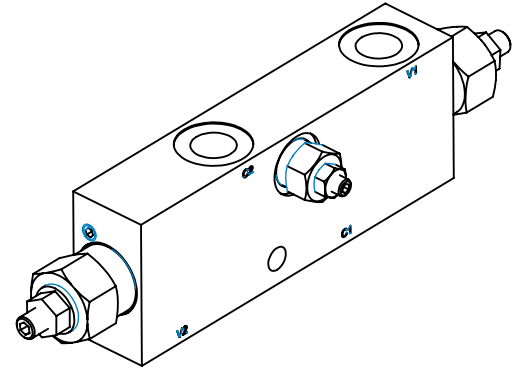
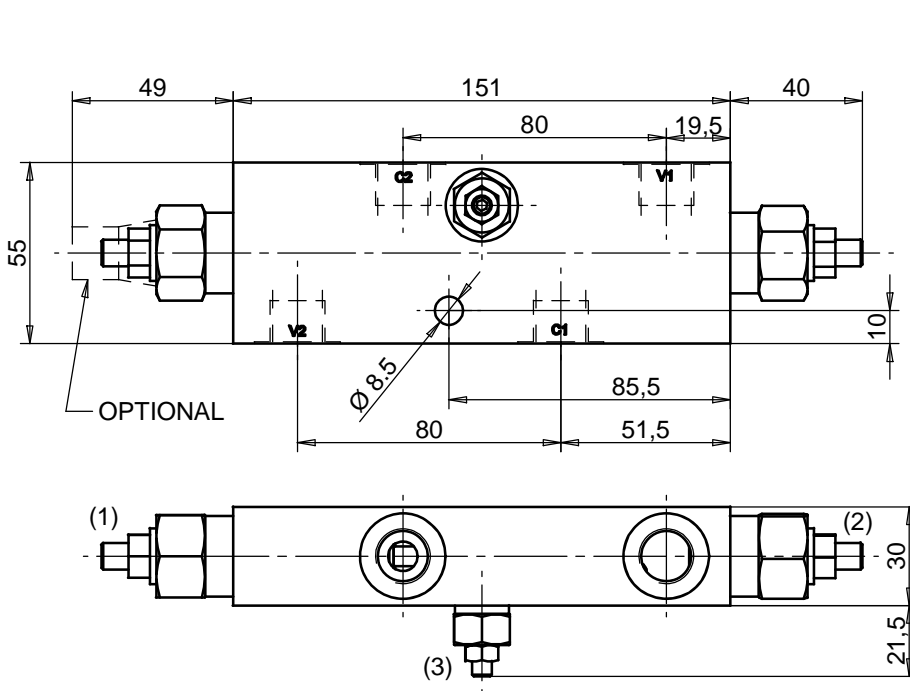
**CBDLA**

--

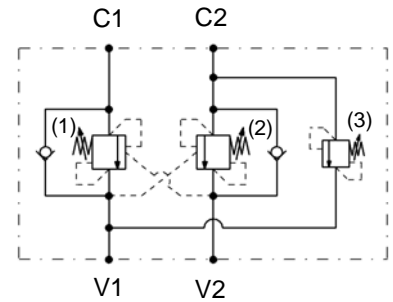
--

	Port Size BSP	Spring		
		Pressure Range (bar)	Increase (bar/turn)	Standard Setting (bar) Q=5 lpm
<b>04</b>	3/4			
<b>05</b>	1			
<b>20</b>		50 - 210	35	150
<b>30</b>		100 - 350	60	200

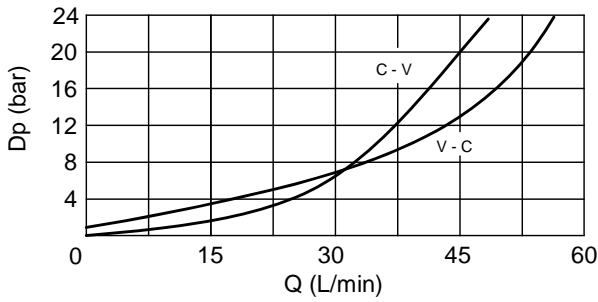
**Dimensions**



**Hydraulic Symbol**



**Curves**



**Features**

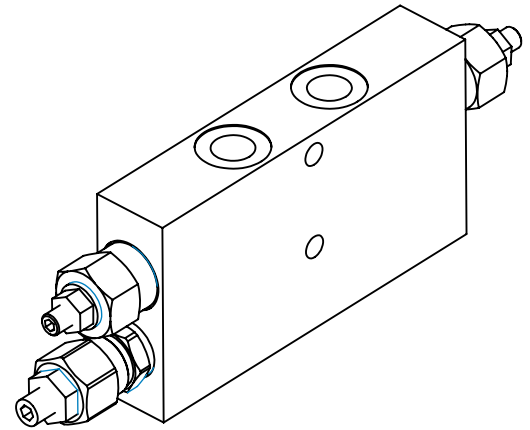
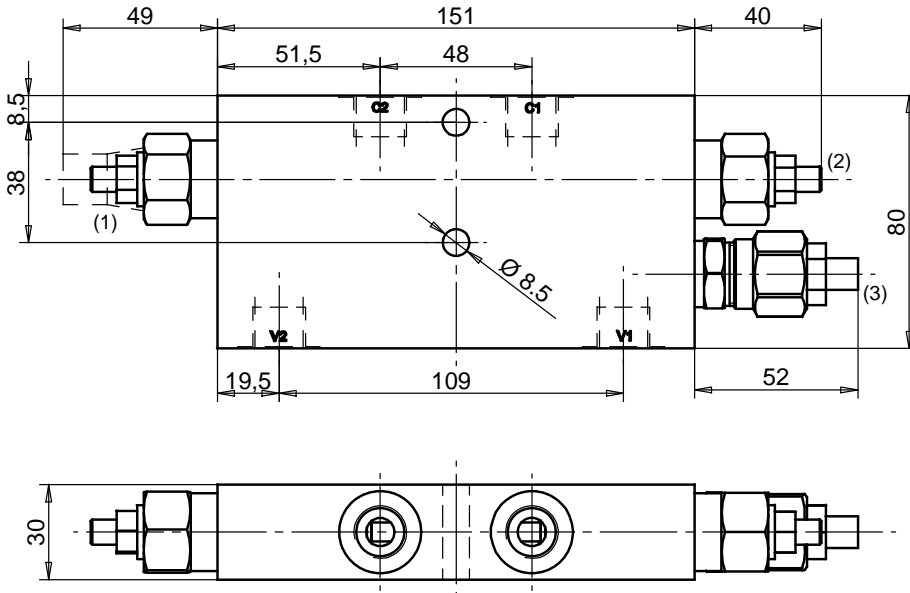
<b>Max Flow</b>	40 lpm
<b>Max Pressure</b>	350 bar
<b>Pilot Ratio</b>	4,2:1 Standard
<b>Std. Pressure range</b>	(1) - (2): 100 - 350 bar (3): 200 - 400 bar

**Materials:** Zinc plated steel manifold, hardened steel inner parts.

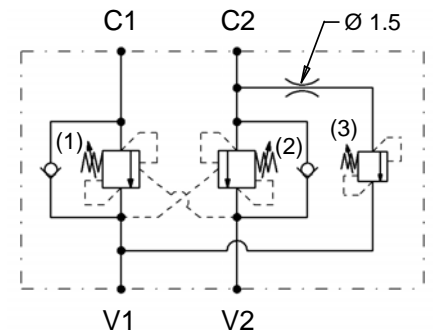
**Ordering Code**

**CBDLCVR 02**

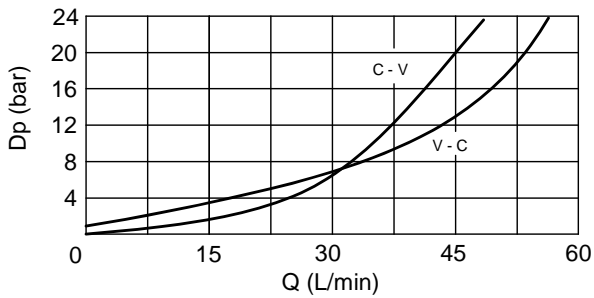
## Dimensions



## Hydraulic Symbol



## Curves



## Features

Max Flow	40 lpm
Max Pressure	350 bar
Pilot Ratio	4,2:1 Standard
Std. Pressure range	(1) - (2): 100 - 350 bar (3): 100 - 350 bar

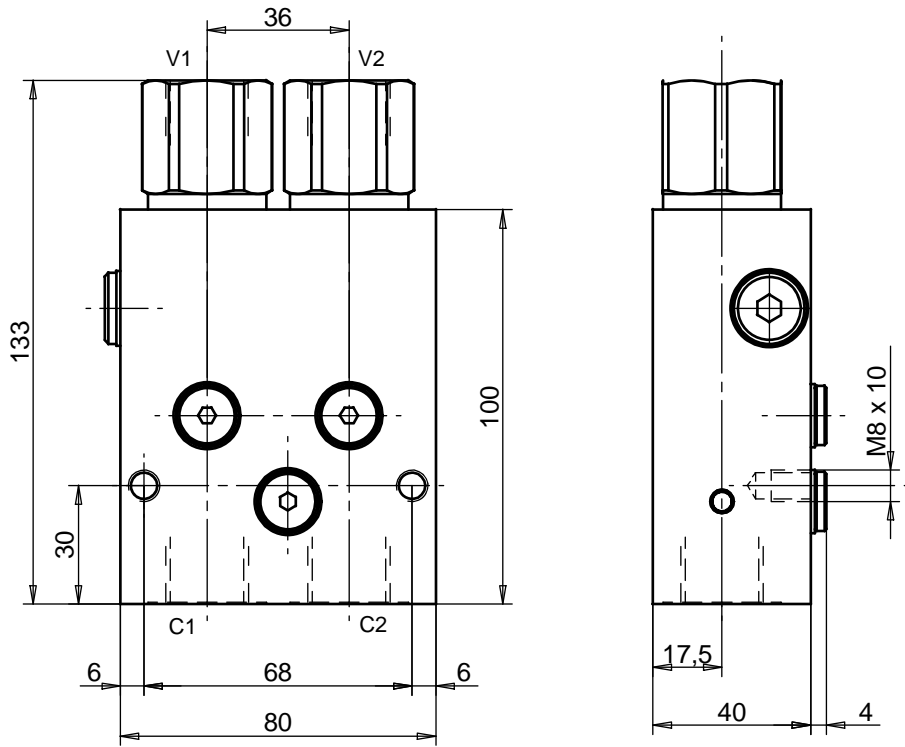
**Materials:** Zinc plated steel cartridge, hardened steel inner parts.  
Aluminium manifold.

## Ordering Code

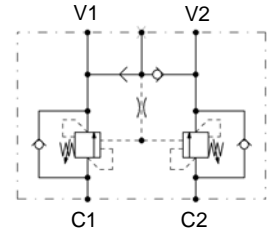
**CBDL35R 02**



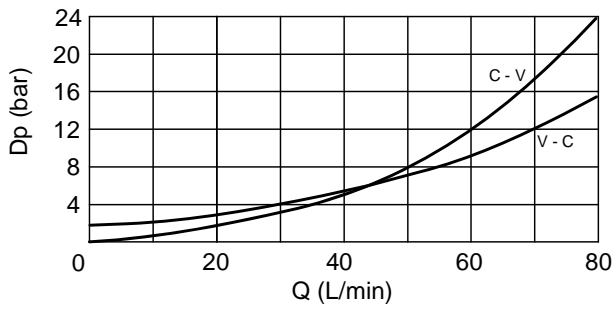
**Dimensions**



**Hydraulic Symbol**



**Curves**



**Features**

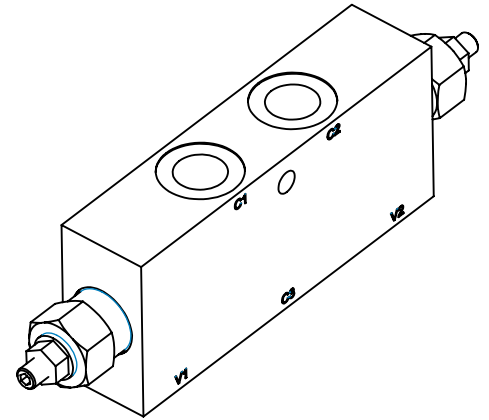
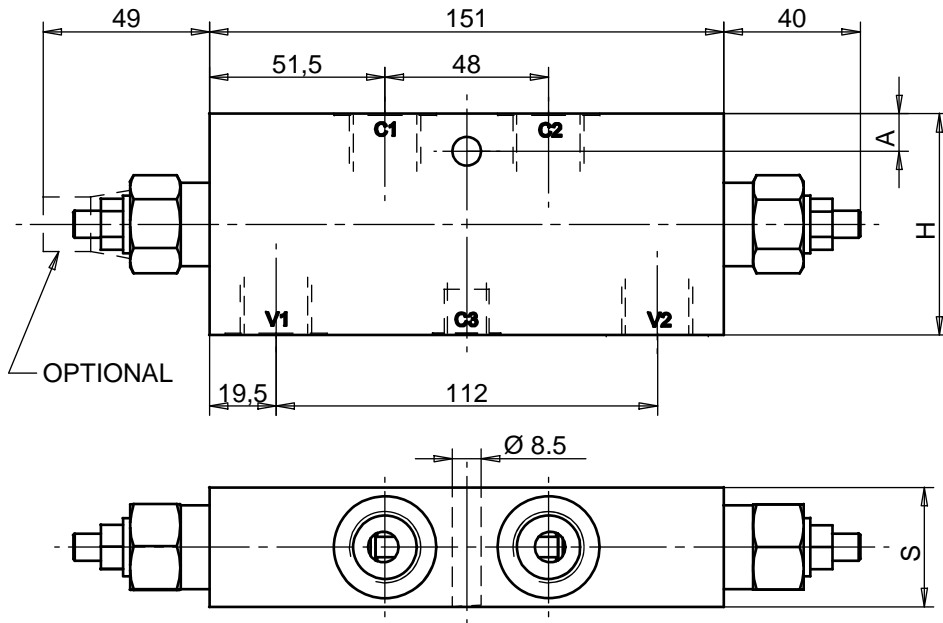
<b>Max Flow</b>	80 lpm
<b>Max Pressure</b>	350 bar
<b>Pilot Ratio</b>	4,2:1 Standard
<b>Std. Pressure range</b>	100 - 350 bar

**Materials:** Zinc plated steel manifold, hardened steel inner parts.

**Ordering Code**

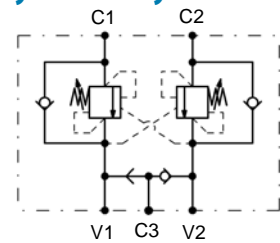
**CBDLIL 03**

## Dimensions

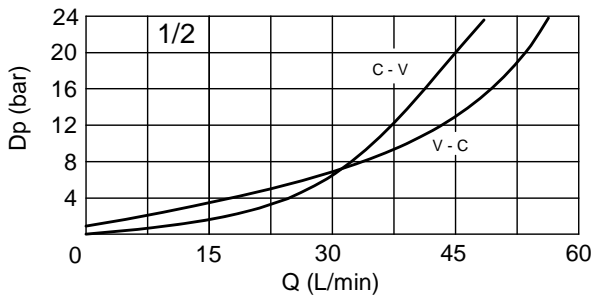


Size	V1 - V2 C1 - C2	C3	A	H	S
<b>02</b>	G 3/8	G 1/4	8,5	55	30
<b>03</b>	G 1/2	G 1/4	11	65	35

## Hydraulic Symbol



## Curves



## Features

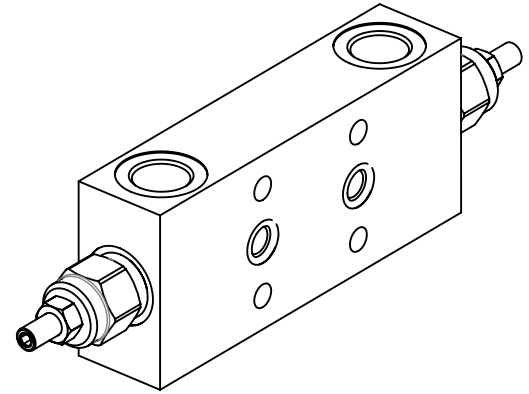
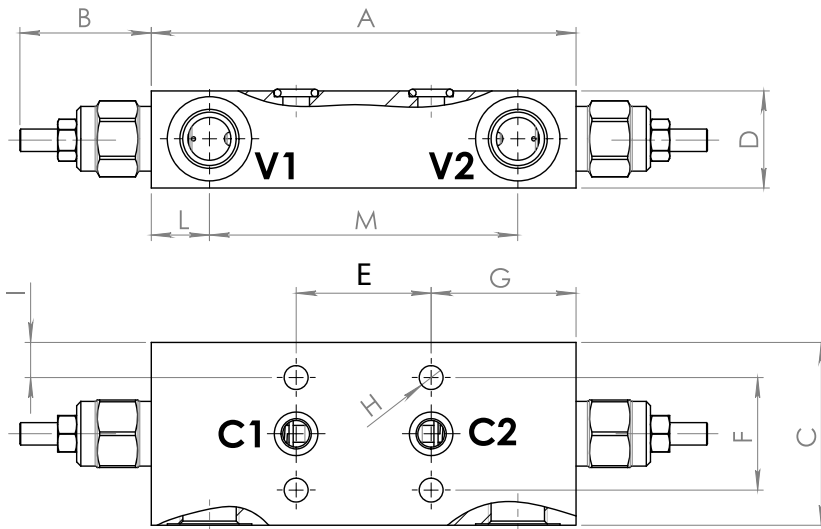
<b>Max Flow</b>	60 lpm
<b>Max Pressure</b>	350 bar
<b>Pilot Ratio</b>	4,2:1 Standard
<b>Std. Pressure range</b>	100 - 350 bar

**Materials:** Zinc plated steel manifold, hardened steel inner parts.

## Ordering Code

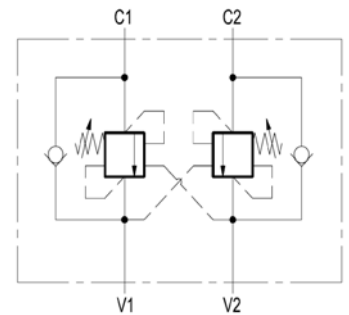
CBDLSF		--
Port Size BSP		
<b>02</b>		3/8
<b>03</b>		1/2

### Dimensions

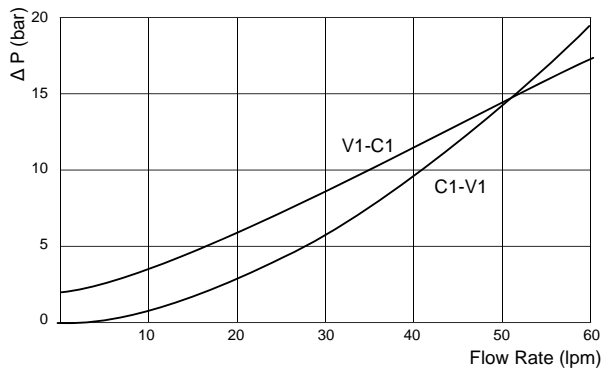


Size	A	B max	C	V1-V2 bsp	D	E	F	G	H	I	L	M	Weight kg
02	151	47	65	3/8	29,5	48	40	51,5	8,5	12,5	20,7	109,6	1,90
03	151	47	65	1/2	34,5	48	40	51,5	8,5	12,5	20,7	109,6	2,57

### Hydraulic Symbol



### Curves



### Features

Rated Flow	60 lpm
Max Pressure	350 bar

**Materials:** Zinc plated steel manifold, hardened steel inner parts.

**Notice:** Relief setting at least 1,3 times the highest expected load-induced pressure.

### Ordering Code

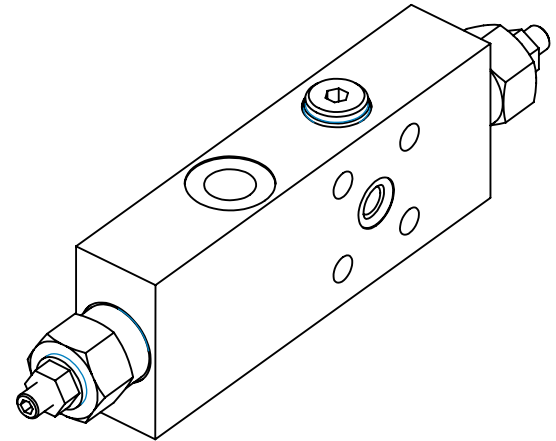
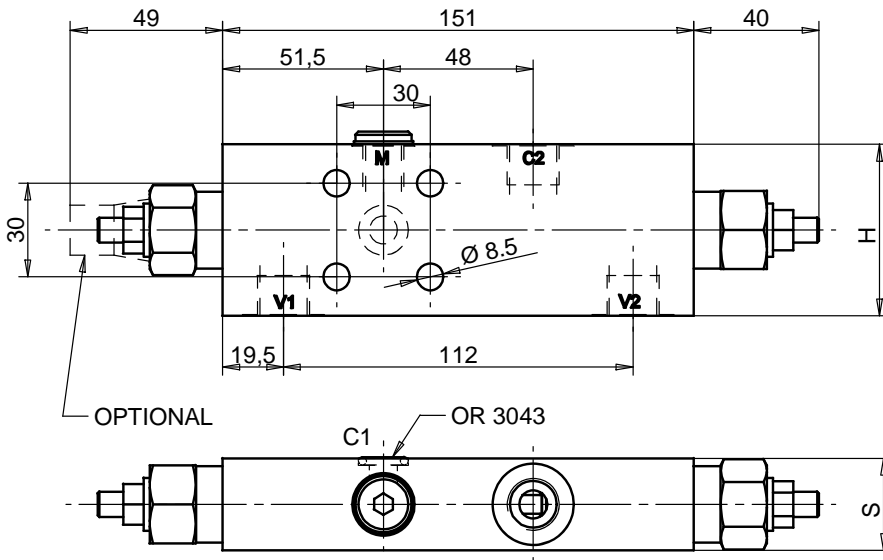
**CBDLF** -- -- -

Port Size BSP	Spring	Spring			
		Pressure Range (bar)	Increase (bar/turn)	Standard Setting (bar) Q=5 lpm	
02	3/8				
03	1/2				
		20	60 - 210	61	180
		30	100 - 350	100	250

Pilot Ratio	
	4,2 : 1
8	8 : 1

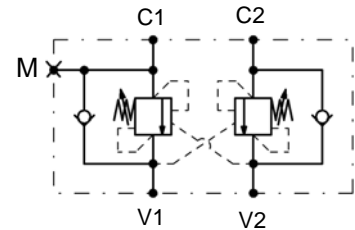
**Ordering Code Example:** CBDLF0330 = 1/2 BSP Ports - 100-350 bar setting range, 4,2:1 Pilot Ratio.

## Dimensions

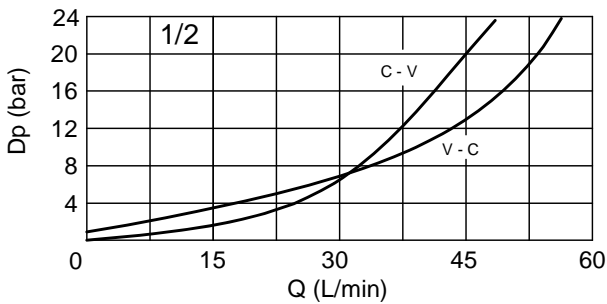


Size	V1-V2 C2	C1	M	H	S
02	G 3/8	$\varnothing 9$	G 1/4	55	29,5
03	G 1/2	$\varnothing 9$	G 1/4	65	34,5

## Hydraulic Symbol



## Curves



## Features

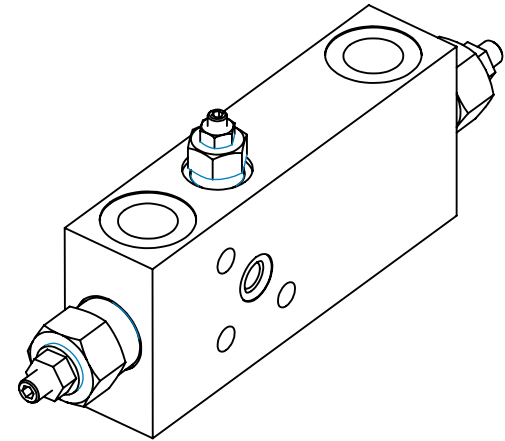
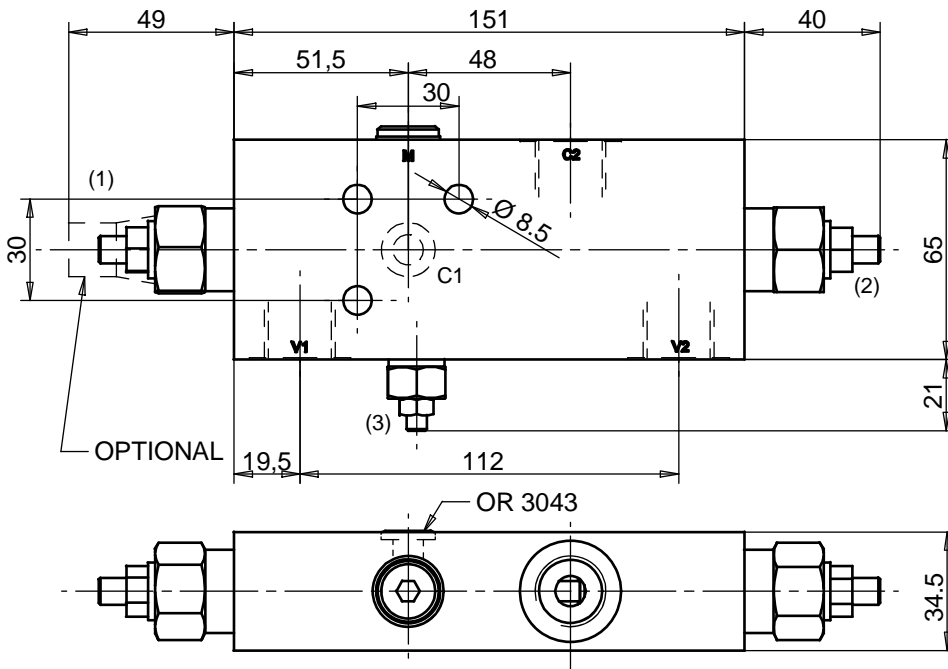
Max Flow	60 lpm
Max Pressure	350 bar
Pilot Ratio	4,2:1 Standard
Std. Pressure range	100 - 350 bar

**Materials:** Zinc plated steel manifold, hardened steel inner parts.

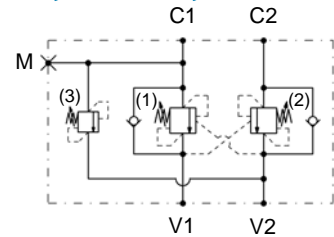
## Ordering Code

CBDLF1F	
	--
	Port Size BSP
02	3/8
03	1/2

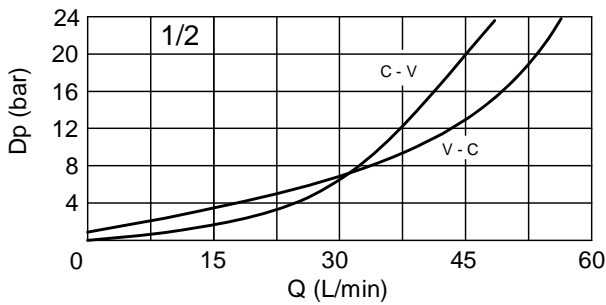
## Dimensions



## Hydraulic Symbol



## Curves



## Features

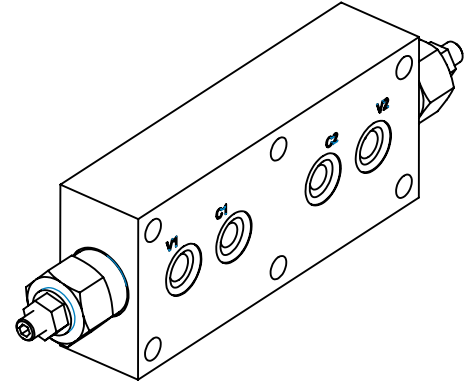
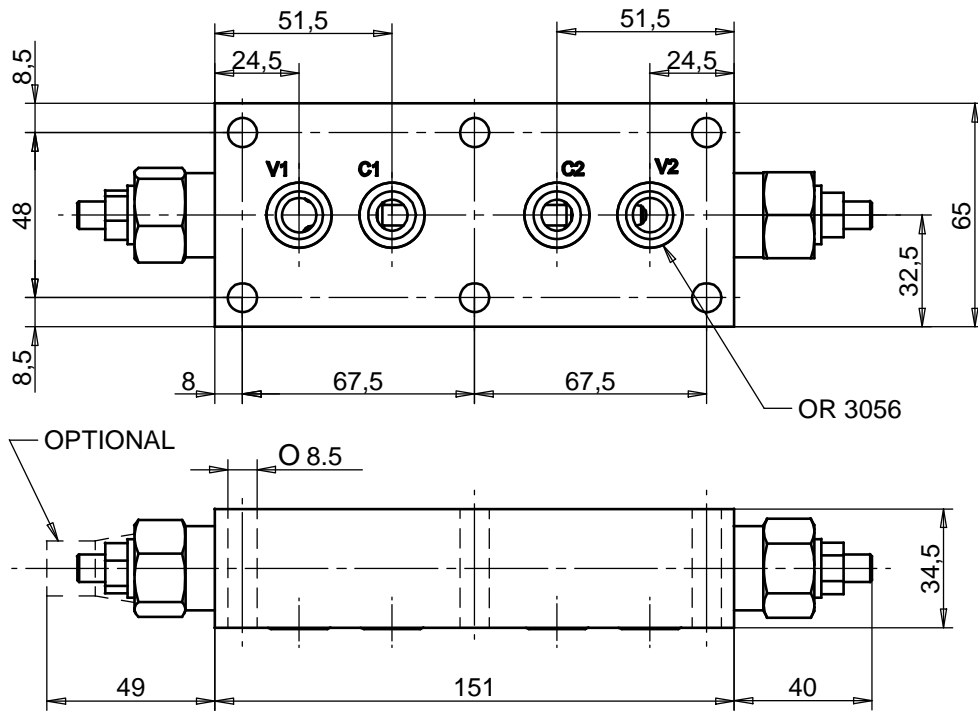
<b>Max Flow</b>	60 lpm
<b>Max Pressure</b>	350 bar
<b>Pilot Ratio</b>	4,2:1 Standard
<b>Std. Pressure range</b>	(1): 100 - 350 bar (2): 200 - 400 bar
<b>Ports</b>	1/2 bsp

**Materials:** Zinc plated steel manifold, hardened steel inner parts.

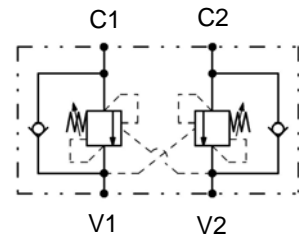
## Ordering Code

**CBDLF1FR 03**

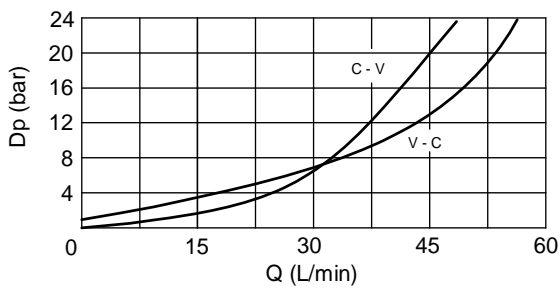
## Dimensions



## Hydraulic Symbol



## Curves



## Features

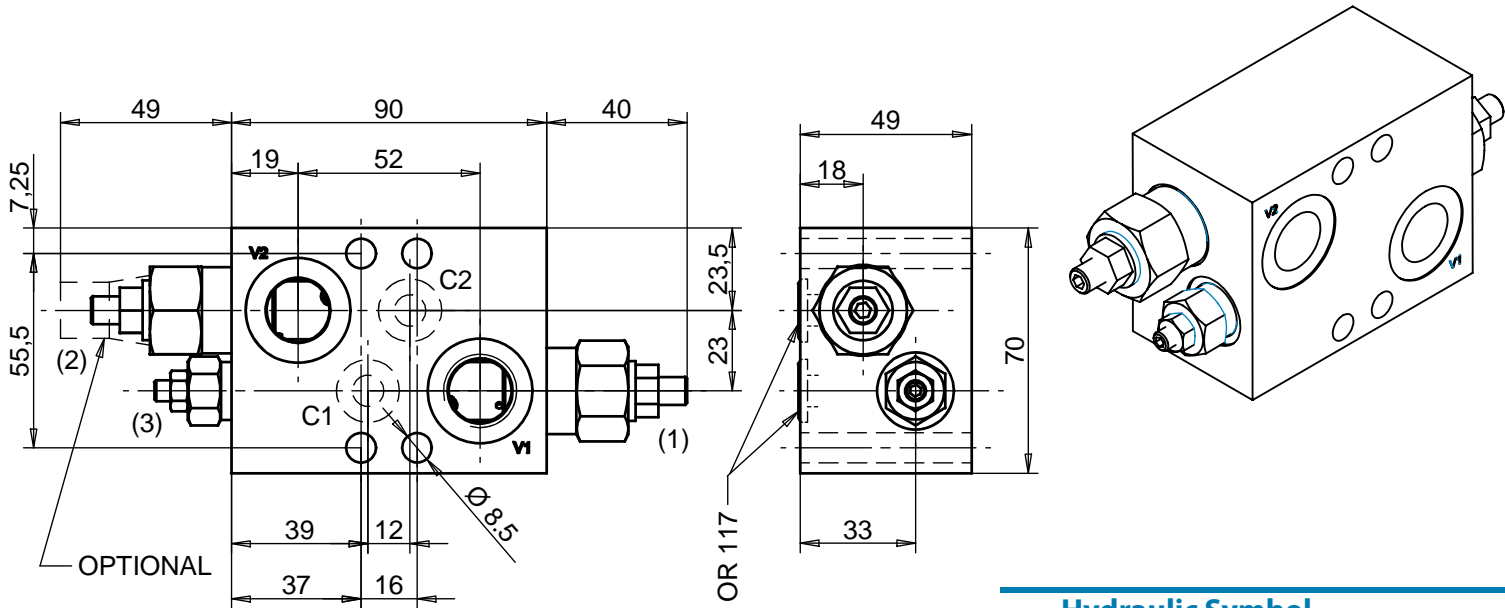
Max Flow	60 lpm
Max Pressure	350 bar
Pilot Ratio	4,2:1
Std. Pressure range	100 - 350 bar
Ports	V1-V2: $\varnothing 10$ C1-C2: $\varnothing 9$

**Materials:** Zinc plated steel body

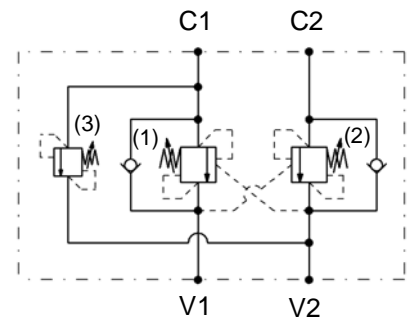
## Ordering Code

**CBDLFAFT 60**

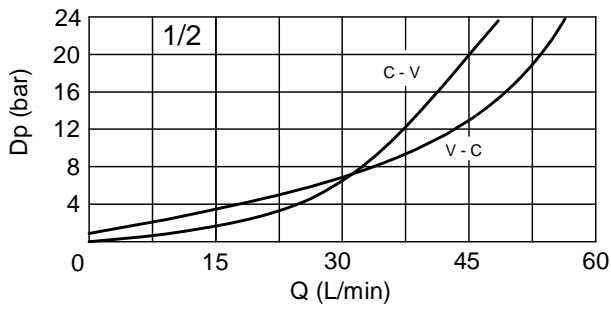
**Dimensions**



**Hydraulic Symbol**



**Curves**



**Features**

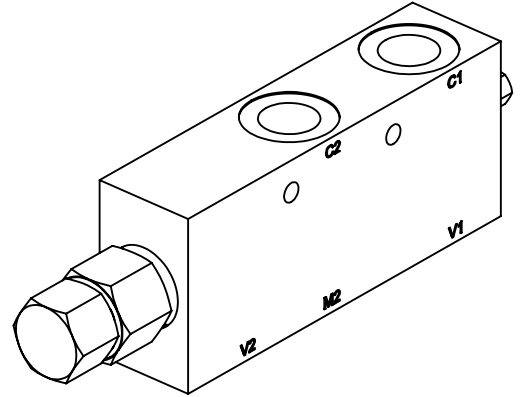
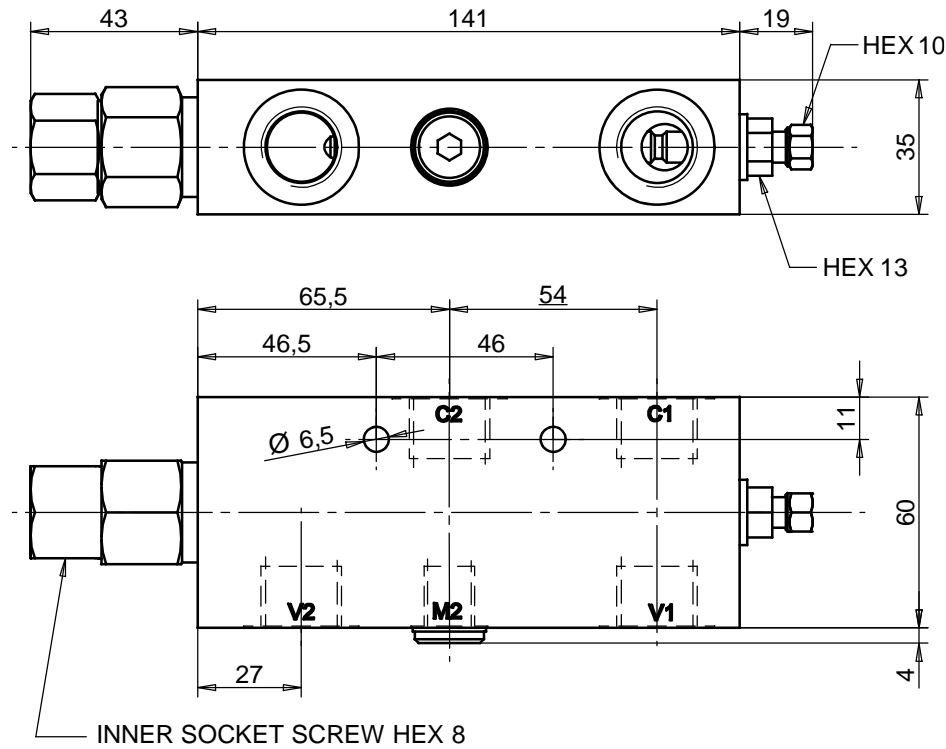
<b>Max Flow</b>	60 lpm
<b>Max Pressure</b>	350 bar
<b>Pilot Ratio</b>	4,2:1 Standard
<b>Std. Pressure range</b>	(1)-(2): 100 - 350 bar (3): 200 - 400 bar
<b>Ports</b>	1/2 bsp

**Materials:** Zinc plated steel cartridge, hardened steel inner parts. Aluminium manifold.

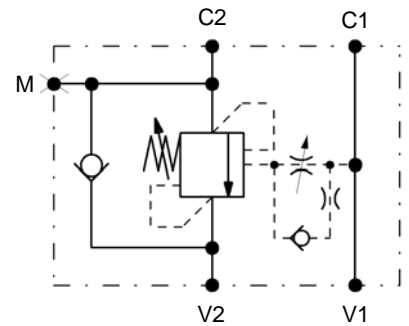
**Ordering Code**

**CBDLFR 03**

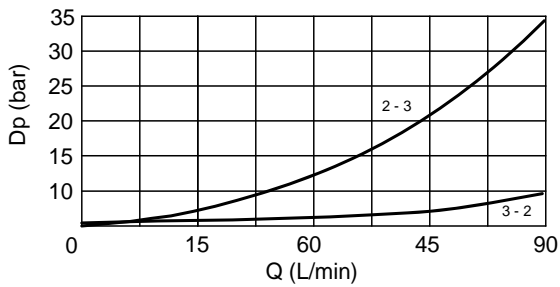
### Dimensions



### Hydraulic Symbol



### Curves



**Materials:** Zinc plated steel body

### Features

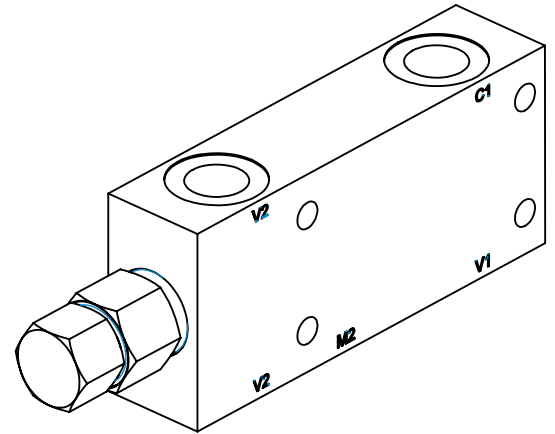
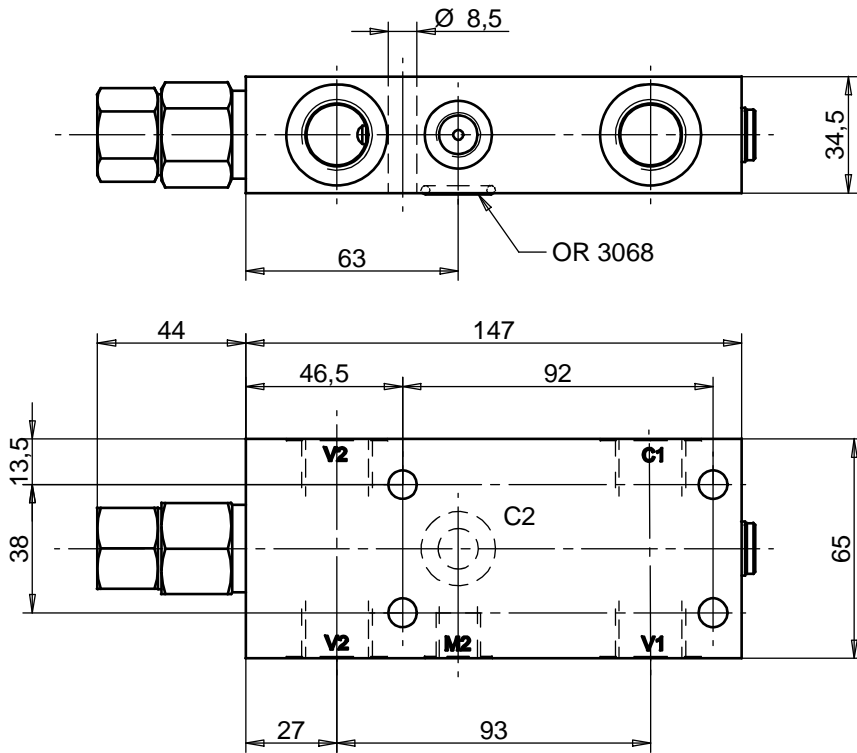
Max Flow	90 lpm
Max Pressure	350 bar
Pilot Ratio	4,2:1
Std. Pressure range	100 - 350 bar
Ports	V1-V2: G 1/2 C1-C2: G 1/2 M: G 1/4

### Ordering Code

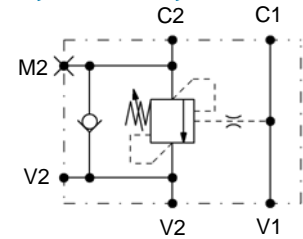
**CB90SL 03**



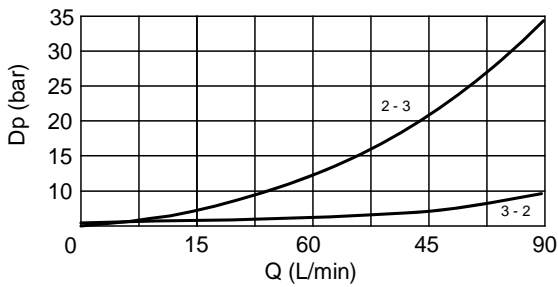
## Dimensions



## Hydraulic Symbol



## Curves



## Features

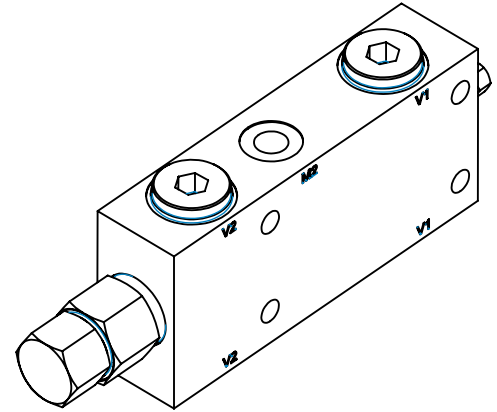
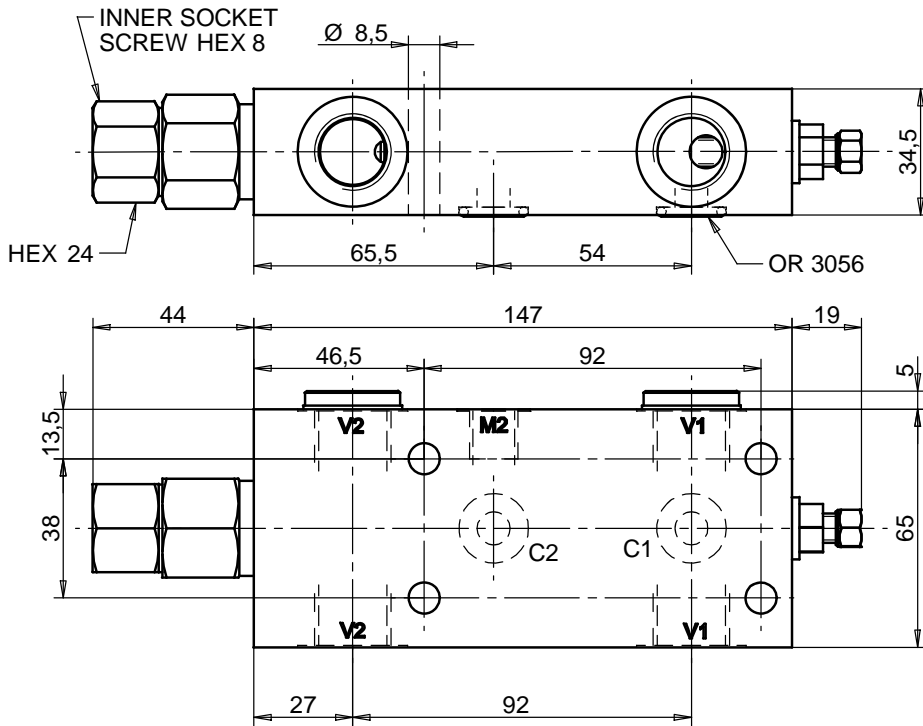
Max Flow	90 lpm
Max Pressure	350 bar
Pilot Ratio	4,2:1
Std. Pressure range	100 - 350 bar
Ports	1/2 bsp

**Materials:** Zinc plated steel manifold, hardened steel inner parts.

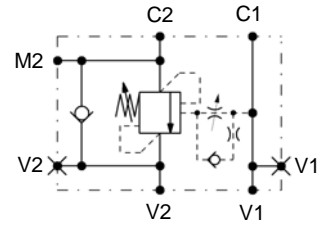
## Ordering Code

**CB90SLF 03**

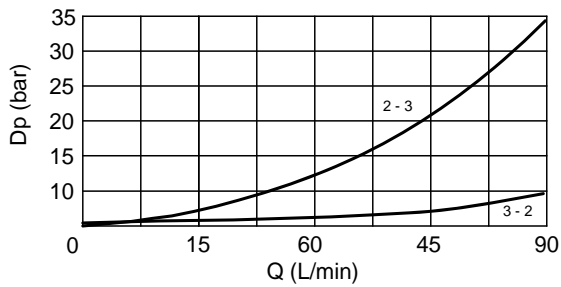
Dimensions



Hydraulic Symbol



Curves



Features

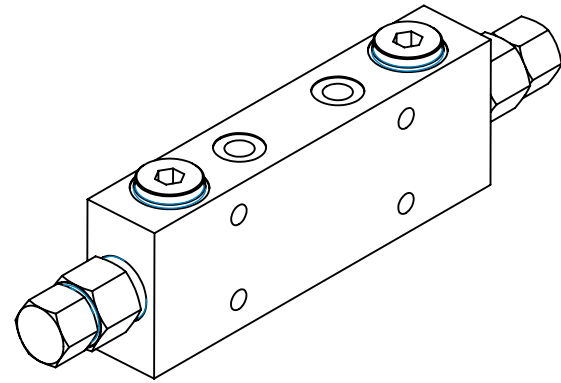
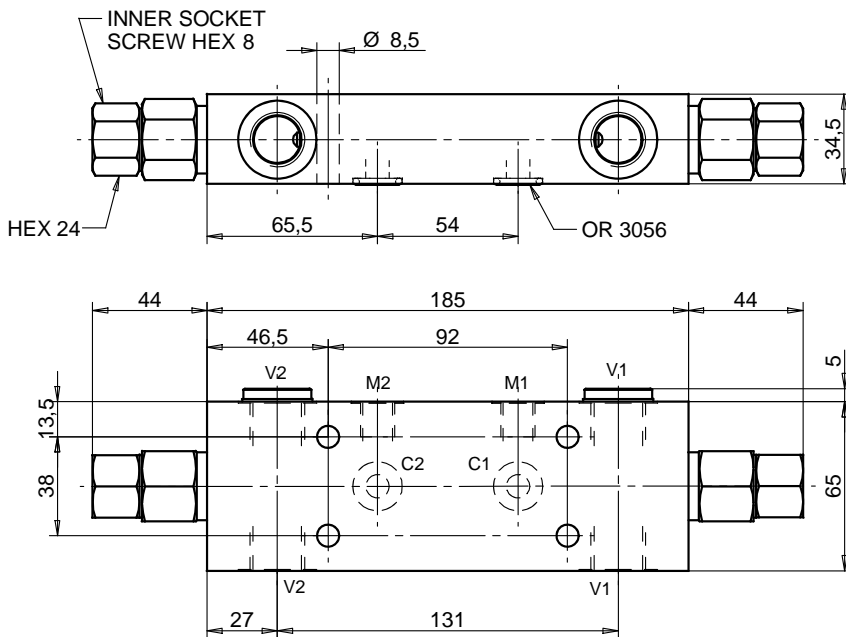
Max Flow	90 lpm
Max Pressure	350 bar
Pilot Ratio	4,2:1 Standard
Std. Pressure range	100 - a350 bar
Ports	1/2 bsp

**Materials:** Zinc plated steel manifold, hardened steel inner parts.

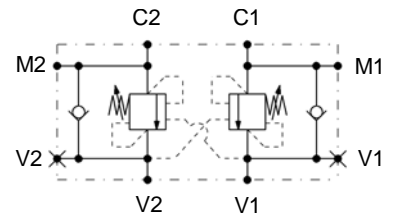
Ordering Code

CB90SLFB 03

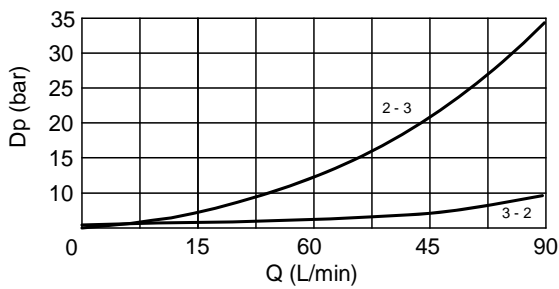
## Dimensions



## Hydraulic Symbol



## Curves



## Features

Max Flow	90 lpm
Max Pressure	350 bar
Pilot Ratio	4,2:1 Standard
Std. Pressure range	100 - 350 bar
Ports	1/2 bsp

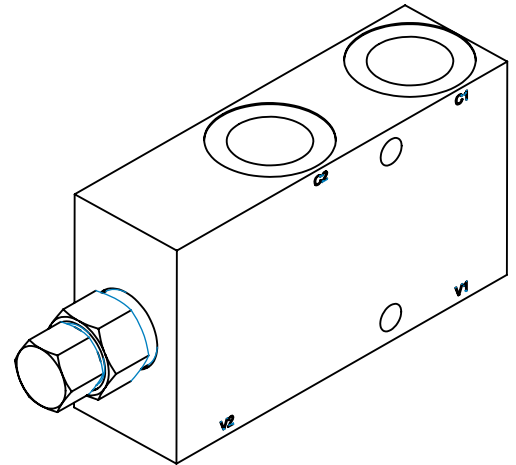
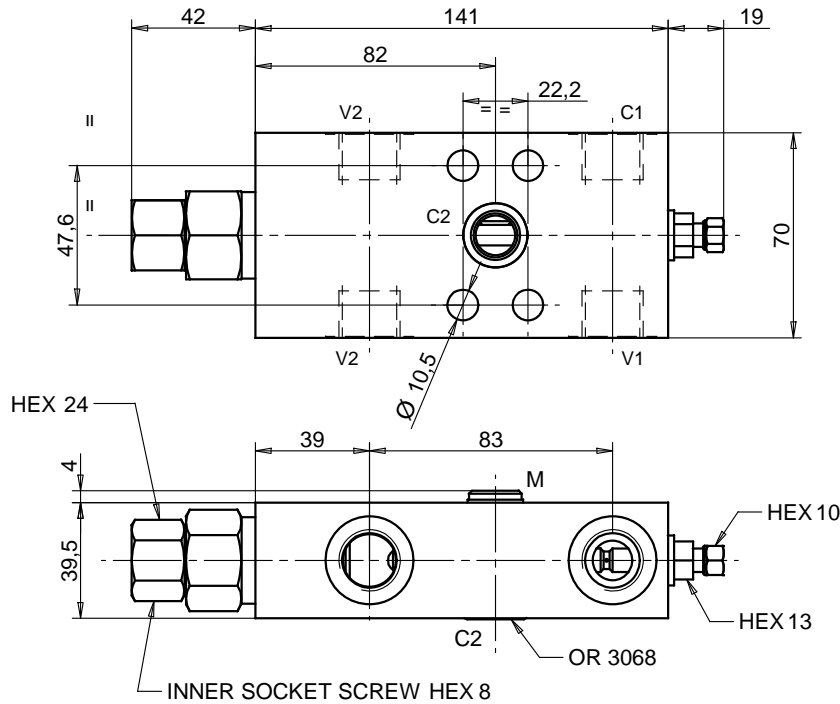
**Materials:** Zinc plated steel manifold, hardened steel inner parts.

## Ordering Code

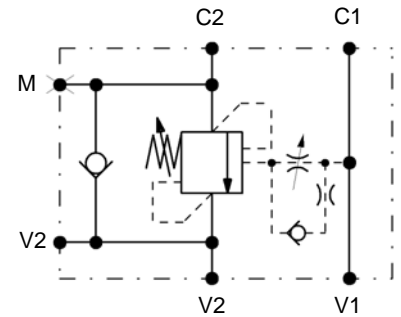
**CB90DLF 03**



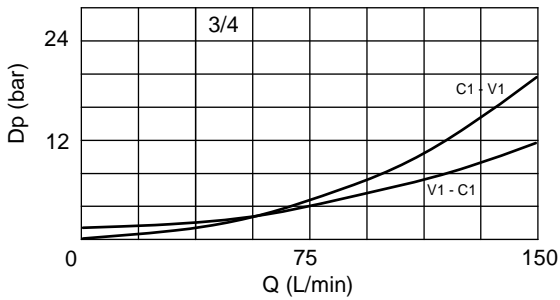
Dimensions



Hydraulic Symbol



Curves



Materials: Zinc plated steel body

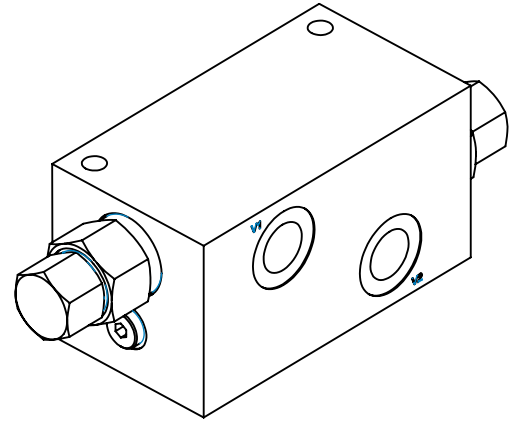
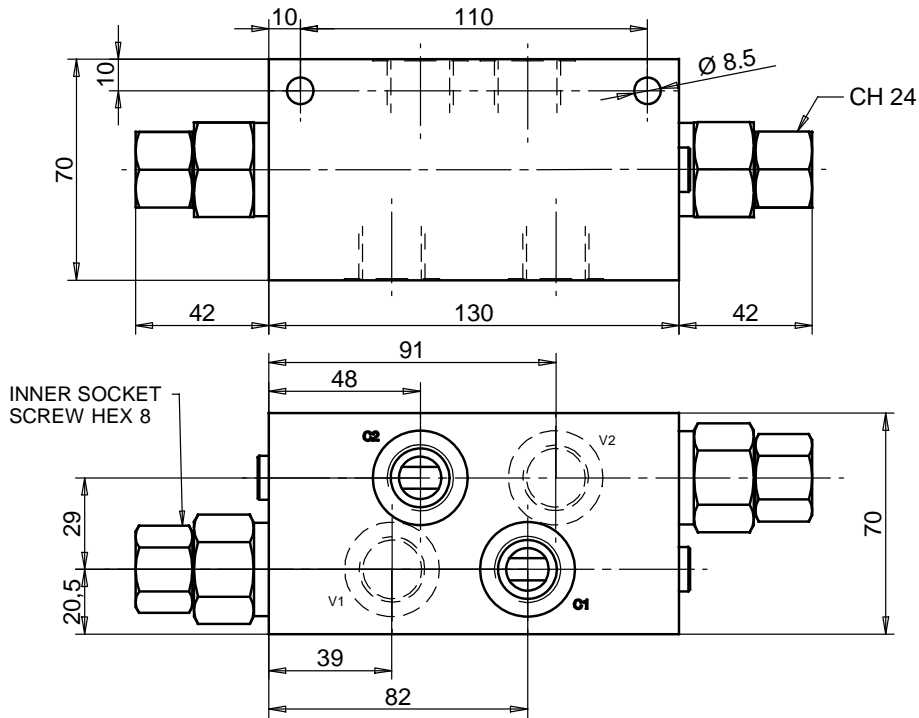
Features

Max Flow	150 lpm
Max Pressure	350 bar
Pilot Ratio	4:1
Std. Pressure range	100 - 350 bar
Ports	V1-V2-C1: G 1/2 C2: 3/4" SAE 3000 M: G 1/4

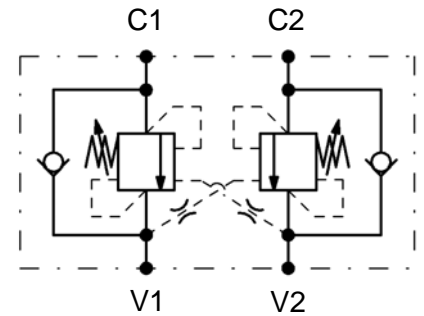
Ordering Code

CB150SLS 03

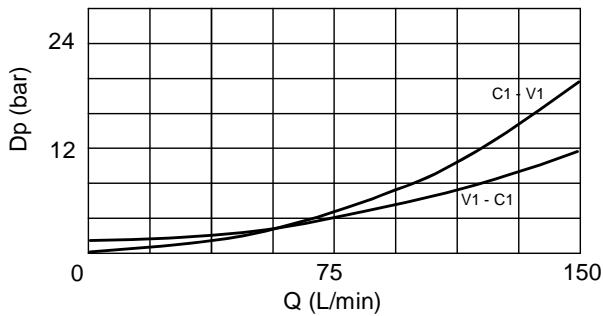
### Dimensions



### Hydraulic Symbol



### Curves



### Features

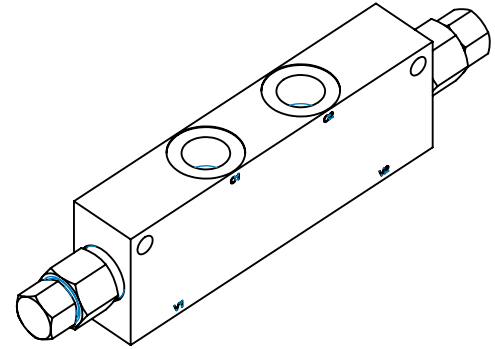
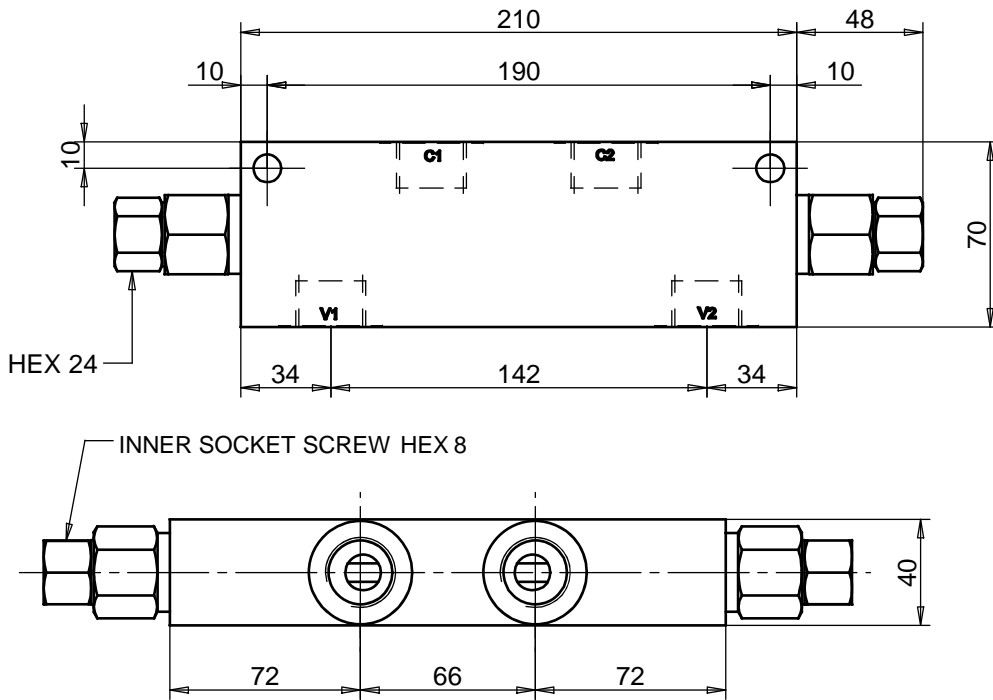
Max Flow	150 lpm
Max Pressure	350 bar
Pilot Ratio	4:1 Standard
Ports	1/2 bsp

**Materials:** Zinc plated steel cartridge, hardened steel inner parts. Aluminium manifold.

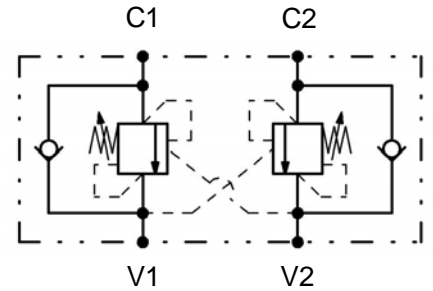
### Ordering Code

**CB150DL 03**

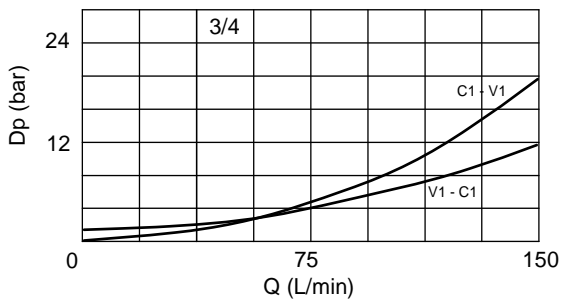
### Dimensions



### Hydraulic Symbol



### Curves



### Features

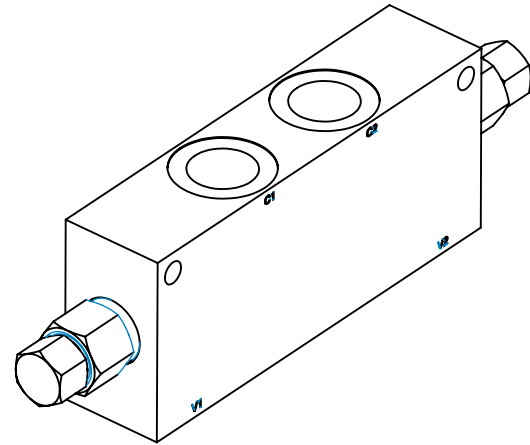
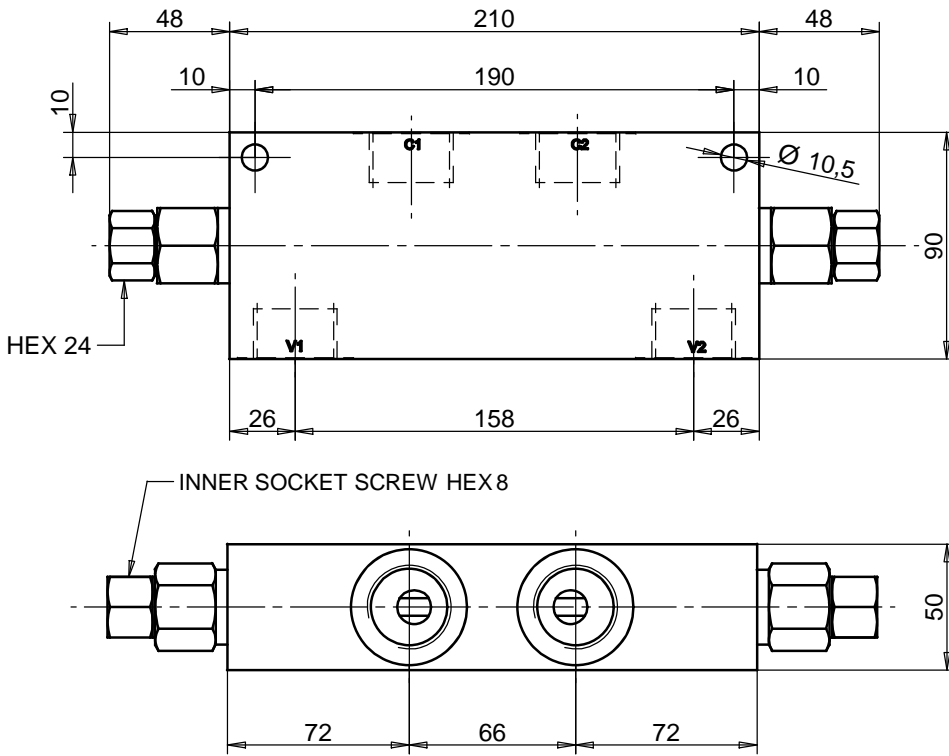
Max Flow	150 lpm
Max Pressure	350 bar
Pilot Ratio	4:1 - Standard
Std. Pressure range	100 - 350 bar
Ports	V1-V2: G 3/4 C1-C2: G 3/4

**Materials:** Zinc plated steel cartridge, hardened steel inner parts. Aluminium manifold.

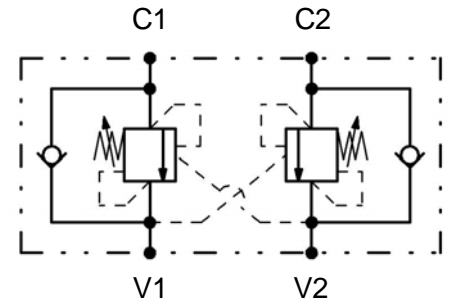
### Ordering Code

**CB150DL 04**

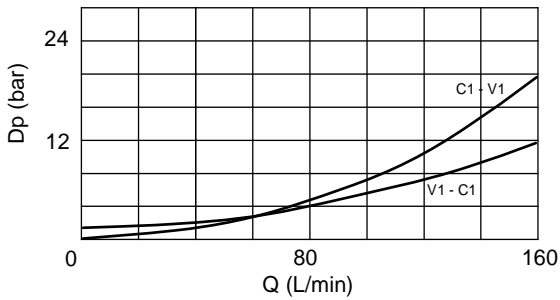
## Dimensions



## Hydraulic Symbol



## Curves



## Features

Max Flow	165 lpm
Max Pressure	350 bar
Pilot Ratio	4:1
Std. Pressure range	100 - 350 bar
Ports	V1-V2: G 1" C1-C2: G1"

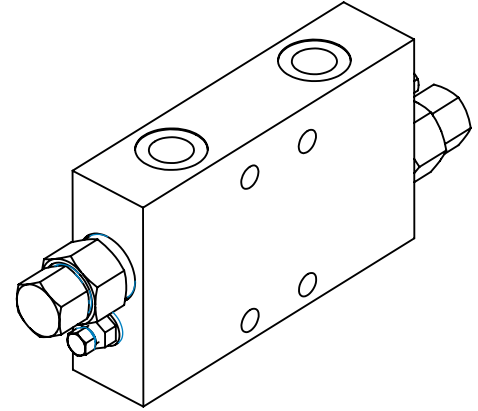
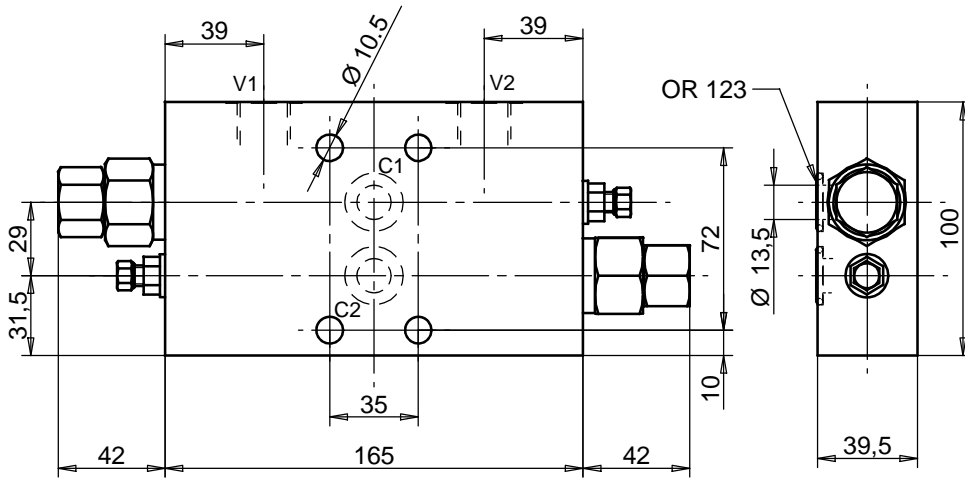
**Materials:** Zinc plated steel cartridge, hardened steel inner parts. Aluminium manifold.

## Ordering Code

**CB150DL 05**

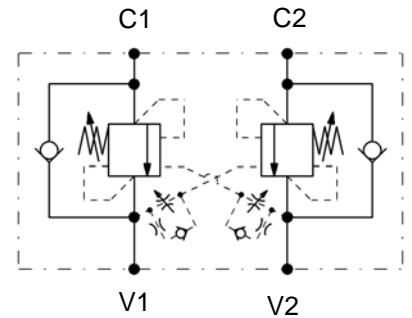


## Dimensions

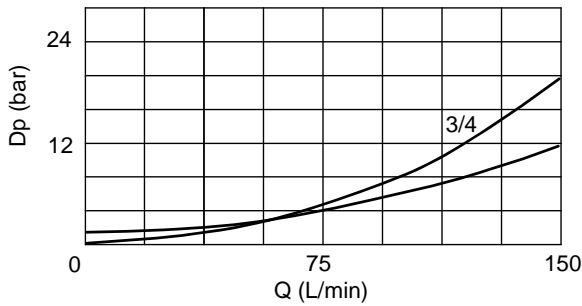


Size	V1 - V2 bsp	C1 - C2 Ø
03	1/2	13,5
04	3/4	13,5

## Hydraulic Symbol



## Curves



## Features

Max Flow	150 lpm
Max Pressure	350 bar
Pilot Ratio	4:1 - Standard
Std. Pressure range	100 - 350 bar

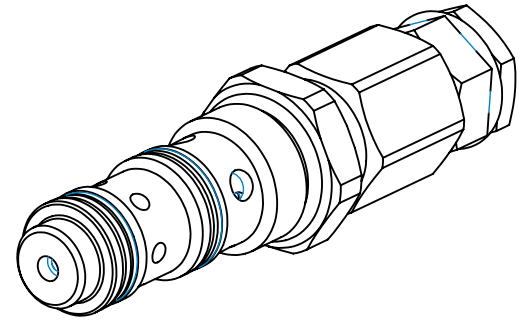
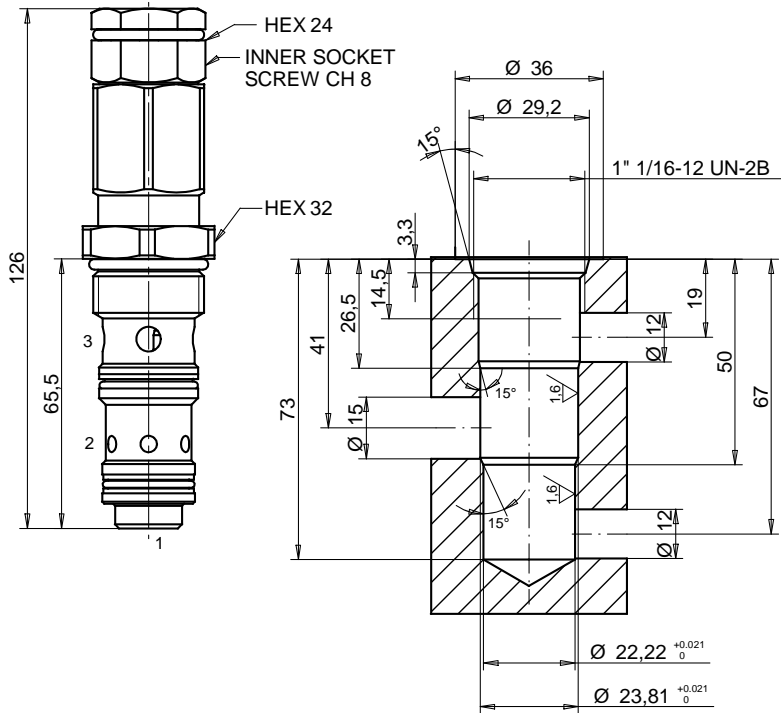
**Materials:** Zinc plated steel cartridge, hardened steel inner parts.  
Aluminium manifold.

## Ordering Code

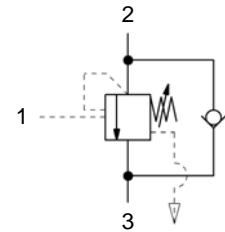
**CB150DLF** - -

Port Size BSP	
03	1/2
04	3/4

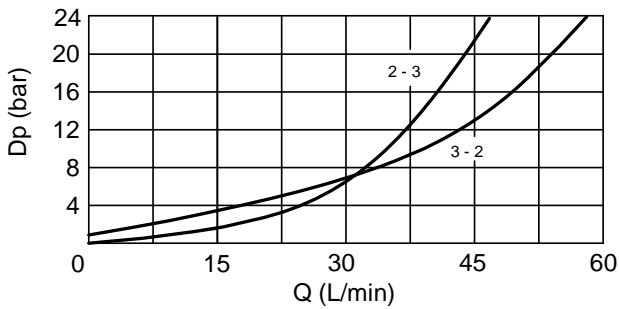
**Dimensions**



**Hydraulic Symbol**



**Curves**



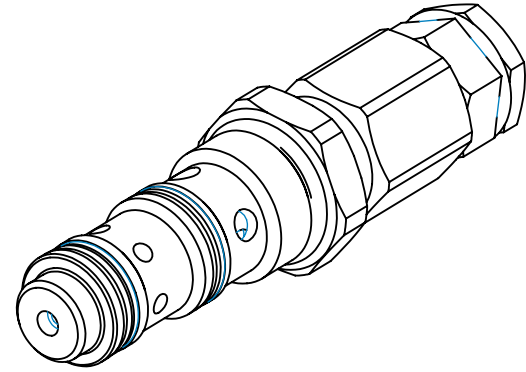
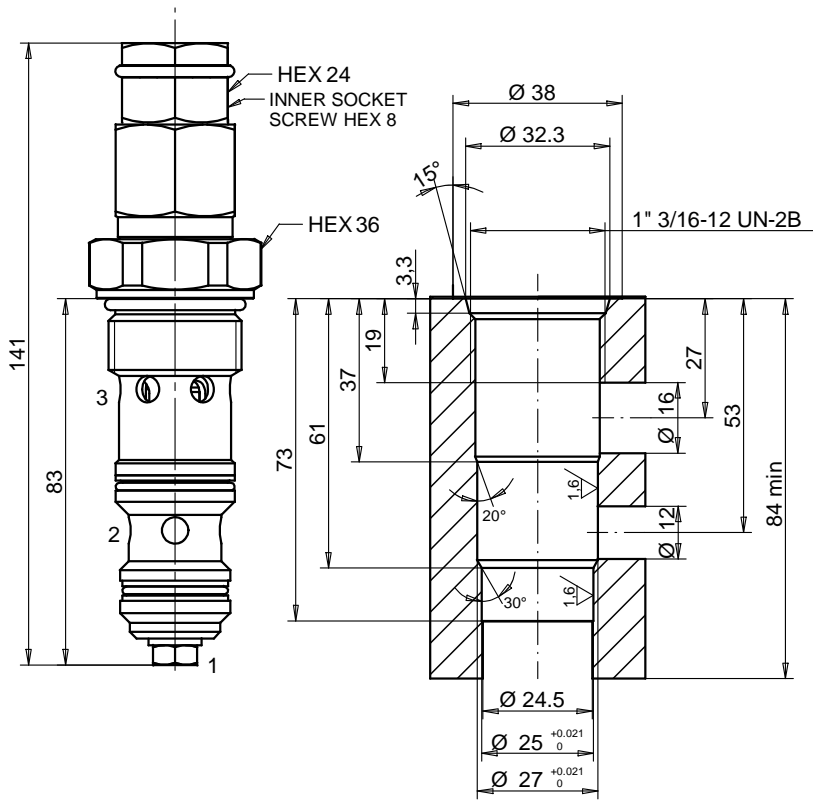
**Features**

<b>Max Flow</b>	60 lpm
<b>Max Pressure</b>	350 bar
<b>Pilot Ratio</b>	4,2:1
<b>Std. Pressure range</b>	100 - 350 bar
<b>Installation Torque</b>	115 - 126 Nm

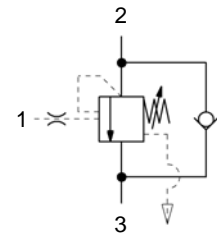
**Ordering Code**

**CBCC 60**

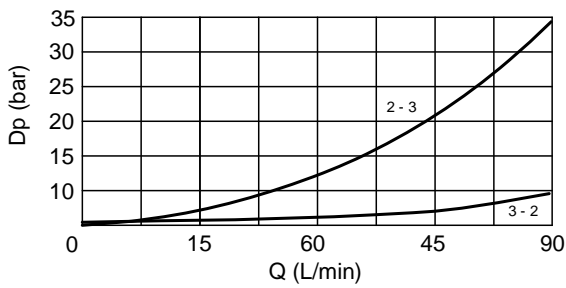
## Dimensions



## Hydraulic Symbol



## Curves



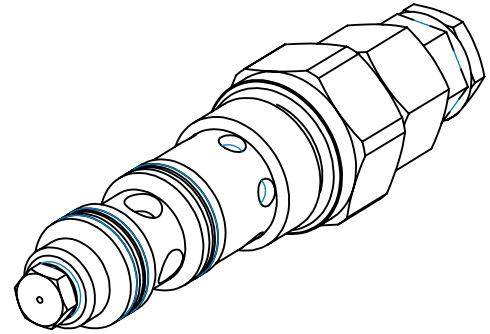
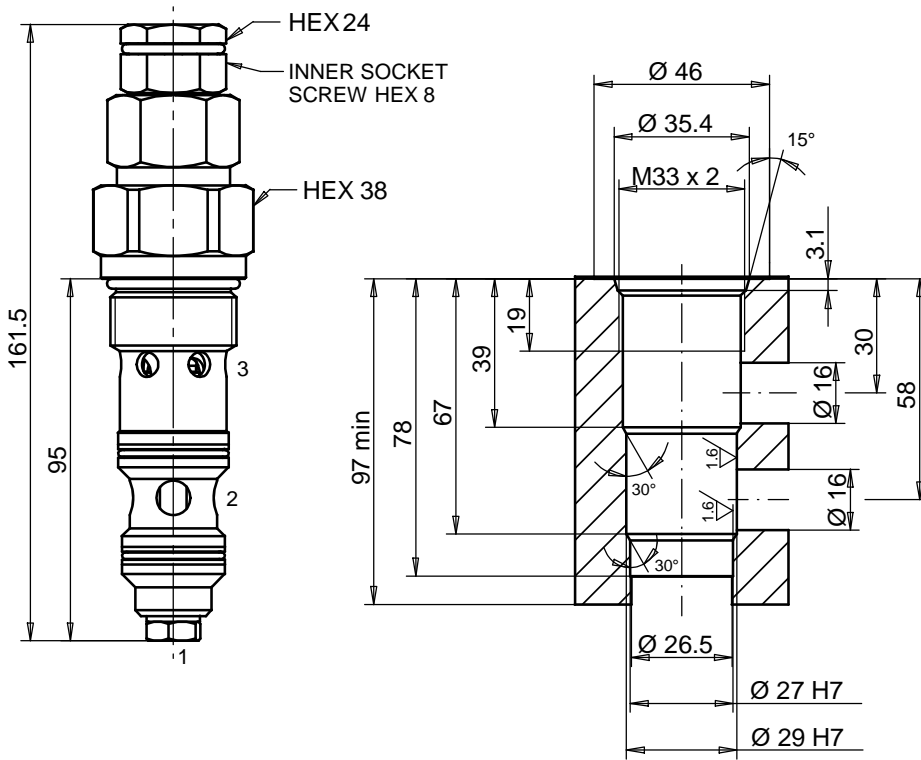
## Features

Max Flow	90 lpm
Max Pressure	350 bar
Pilot Ratio	4,2:1
Std. Pressure range	100 - 350 bar
Installation Torque	140 - 155 Nm

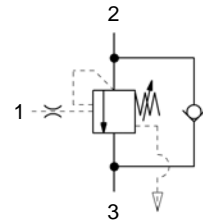
## Ordering Code

**CBCC 90**

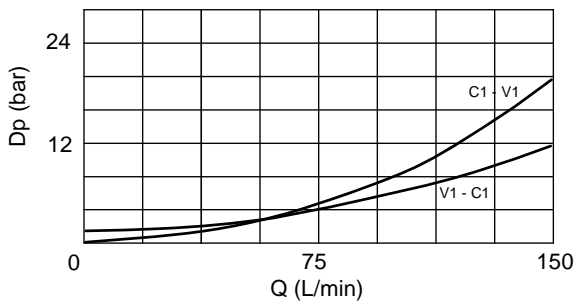
## Dimensions



## Hydraulic Symbol



## Curves



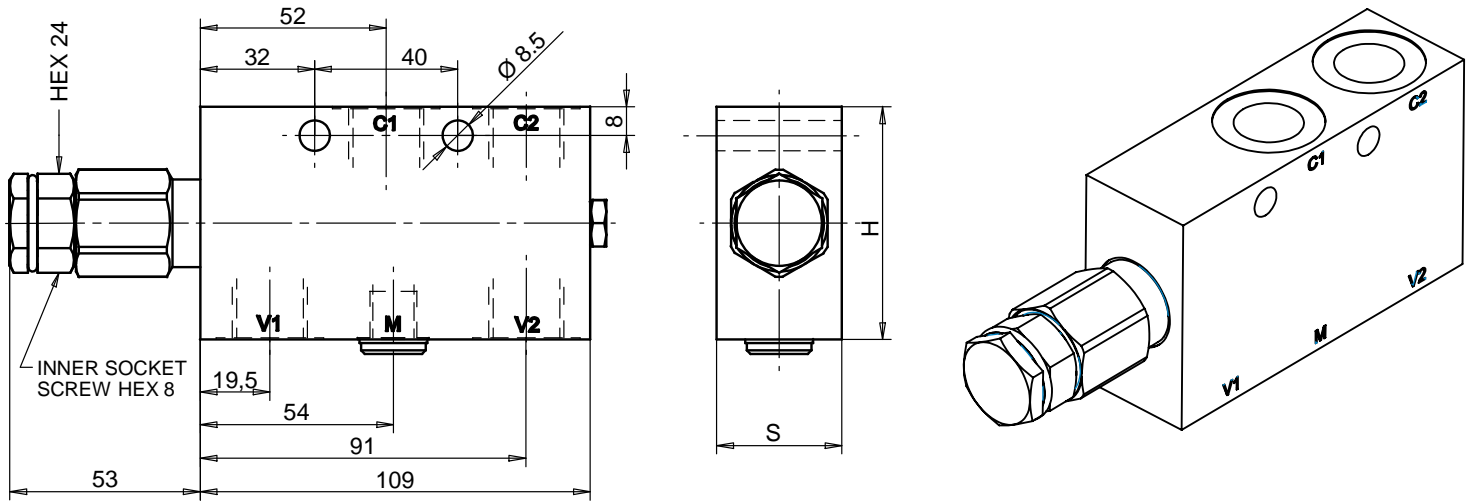
## Features

Max Flow	150 lpm
Max Pressure	350 bar
Pilot Ratio	4:1
Installation Torque	200 - 225 Nm
Std. Pressure range	100 - 350 bar

## Ordering Code

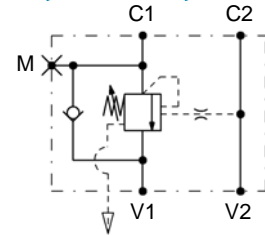
**CBCC 150**

### Dimensions

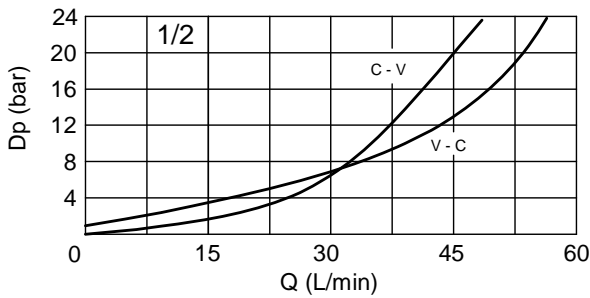


Size	V1 - V2 C1 - C2	M	H	S
<b>01</b>	G 1/4	-	55	30
<b>02</b>	G 3/8	-	55	30
<b>03</b>	G 1/2	G 1/4	65	35

### Hydraulic Symbol



### Curves



### Features

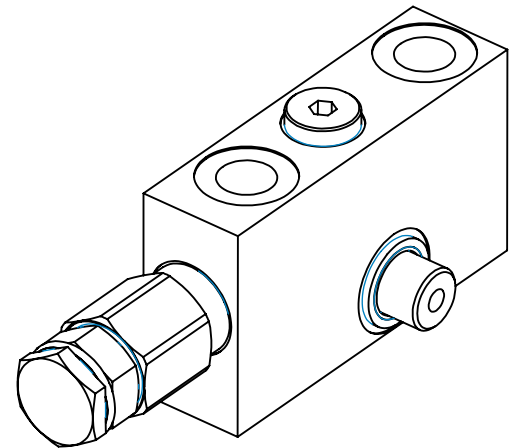
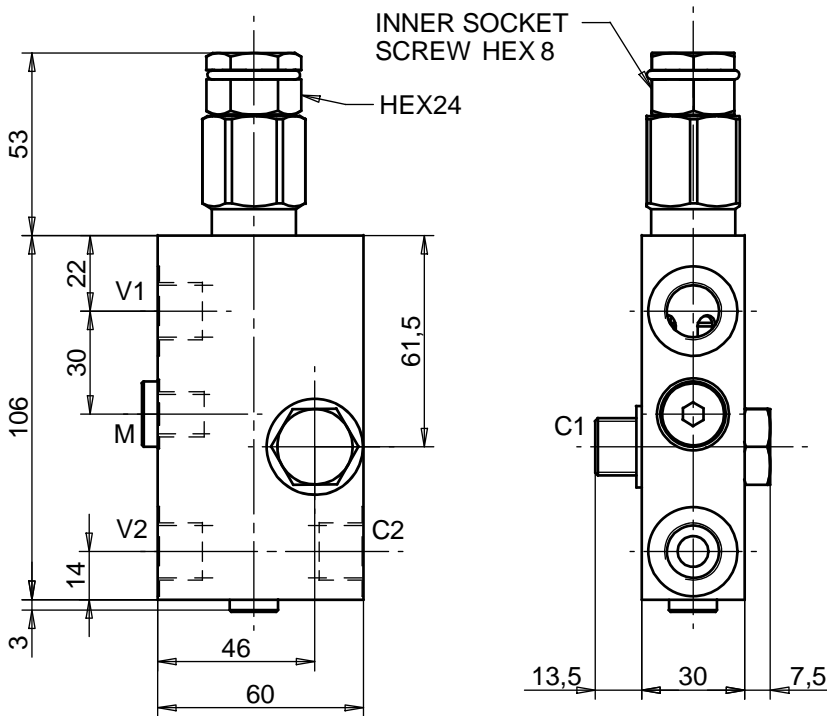
<b>Max Flow</b>	60 lpm
<b>Max Pressure</b>	350 bar
<b>Pilot Ratio</b>	4,2:1
<b>Std. Pressure range</b>	100 - 350 bar

**Materials:** Zinc plated steel manifold, hardened steel inner parts.

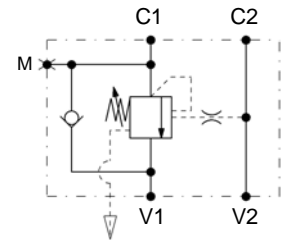
### Ordering Code

CBSLCC		- -
Port Size BSP		
<b>01</b>		1/4
<b>02</b>		3/8
<b>03</b>		1/2

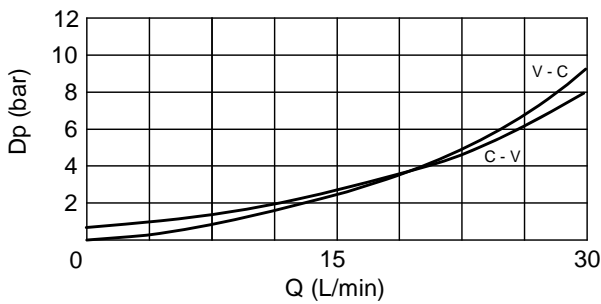
### Dimensions



### Hydraulic Symbol



### Curves



### Features

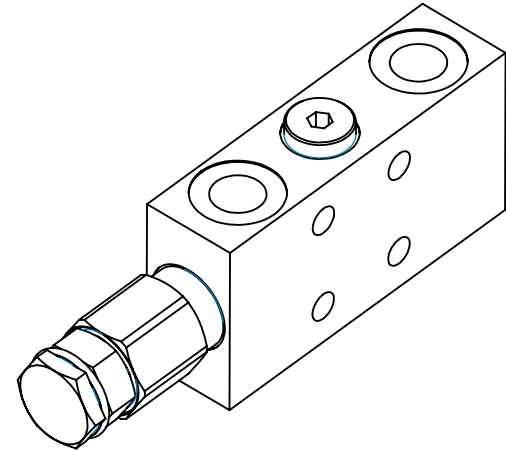
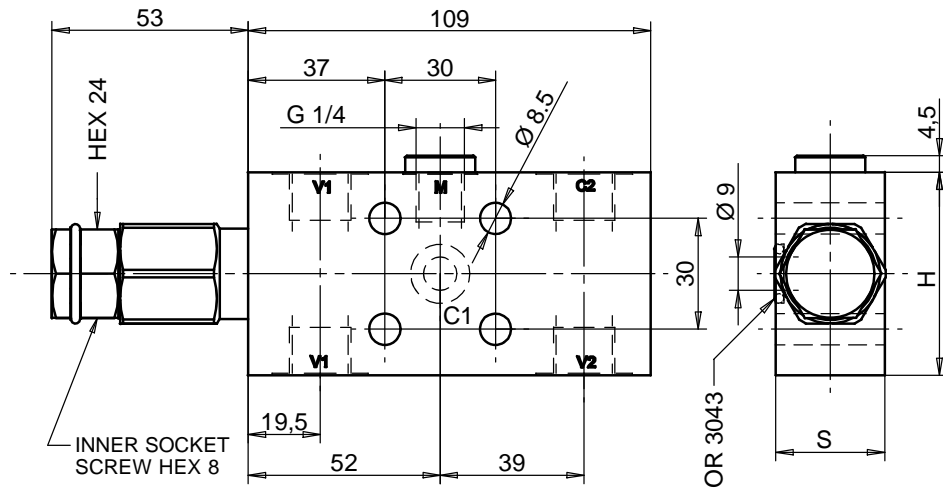
Max Flow	40 lpm
Max Pressure	350 bar
Pilot Ratio	4,2:1
Std. Pressure range	100 - 350 bar
Ports	3/8 bsp

**Materials:** Zinc plated steel cartridge, hardened steel inner parts. Aluminium manifold.

### Ordering Code

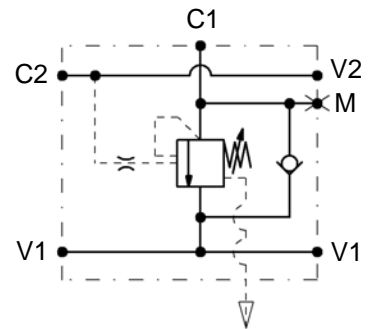
**CBSEPFCC 02**

## Dimensions

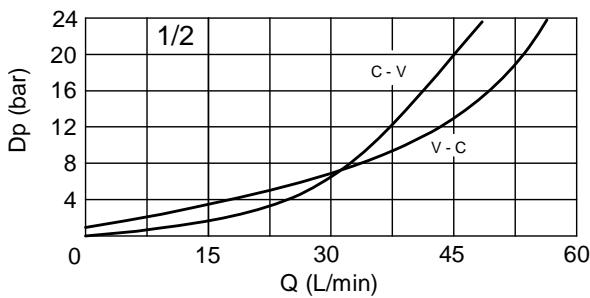


Size	V1-V2 C2	H	S
01	G 1/4	55	29,5
02	G 3/8	55	29,5
03	G 1/2	65	34,5

## Hydraulic Symbol



## Curves



## Features

Max Flow	60 lpm
Max Pressure	350 bar
Pilot Ratio	4,2:1
Std. Pressure range	100 - 350 bar

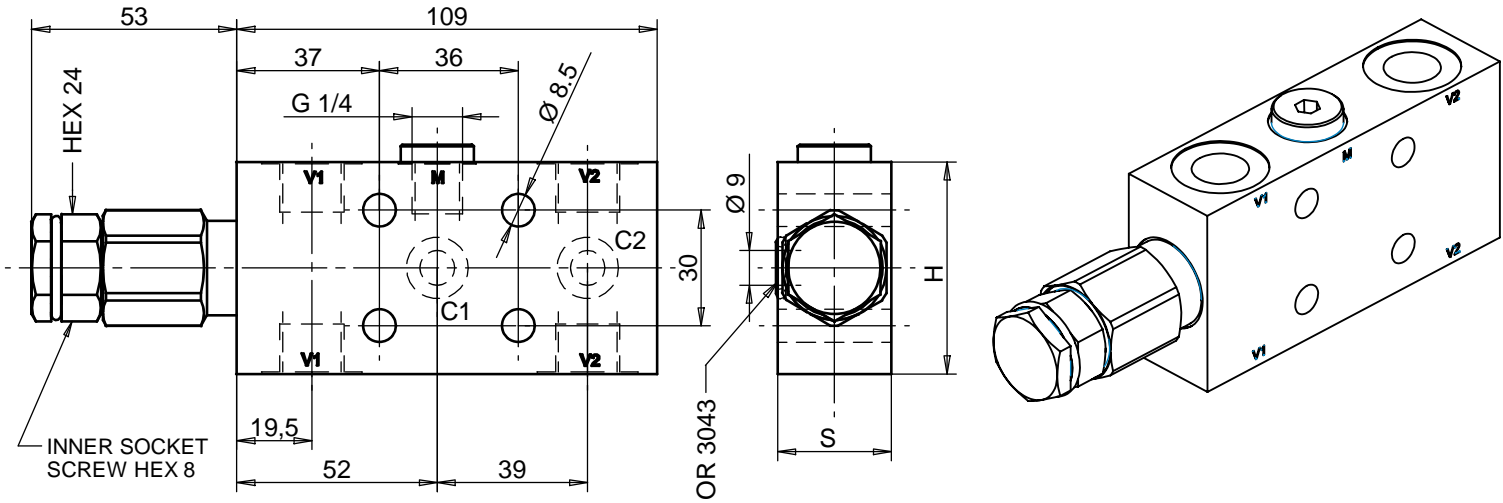
**Materials:** Zinc plated steel manifold, hardened steel inner parts.

## Ordering Code

**CBSL1FCC** --

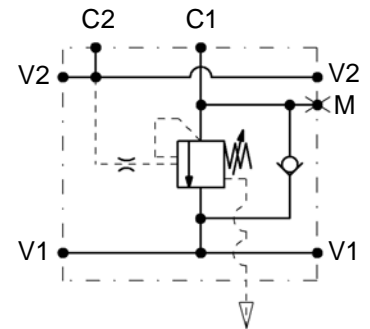
	Port Size BSP
01	1/4
02	3/8
03	1/2

**Dimensions**

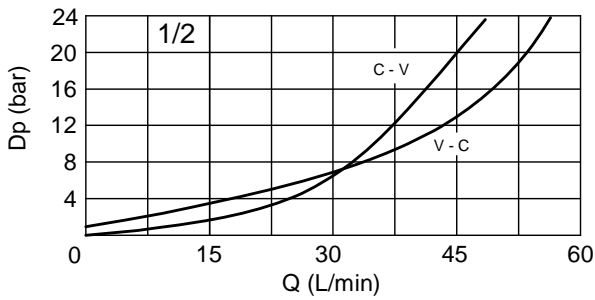


Size	V1-V2 C2	H	S
01	G 1/4	55	29,5
02	G 3/8	55	29,5
03	G 1/2	65	34,5

**Hydraulic Symbol**



**Curves**



**Features**

Max Flow	60 lpm
Max Pressure	350 bar
Pilot Ratio	4,2:1
Std. Pressure range	100 - 350 bar

**Materials:** Zinc plated steel manifold, hardened steel inner parts.

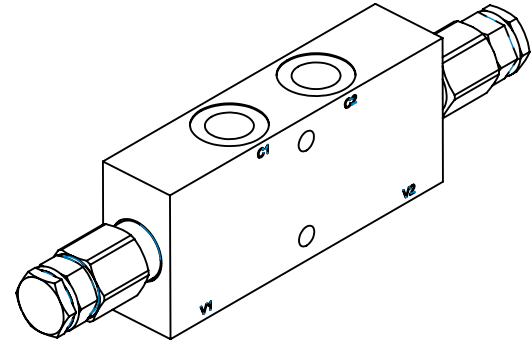
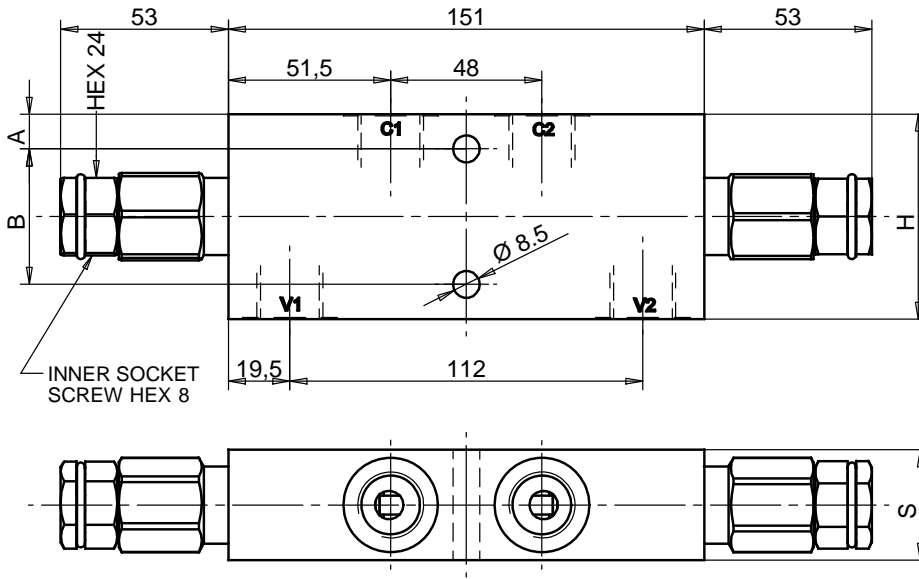
**Ordering Code**

**CBSL2FCC** --

	Port Size BSP
01	1/4
02	3/8
03	1/2

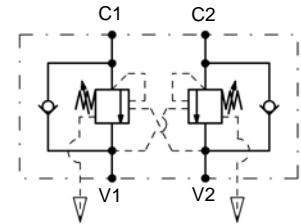


### Dimensions

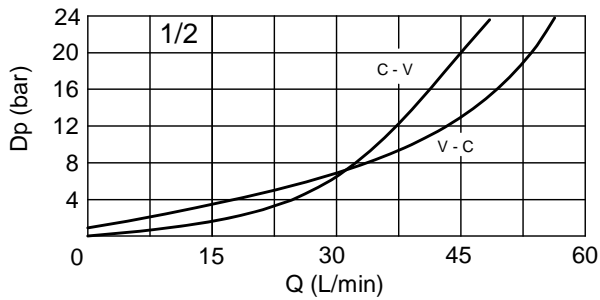


Size	V1 - V2	A	B	H	S
02	G 3/8	8,5	38	55	30
03	G 1/2	11	43	65	35

### Hydraulic Symbol



### Curves



### Features

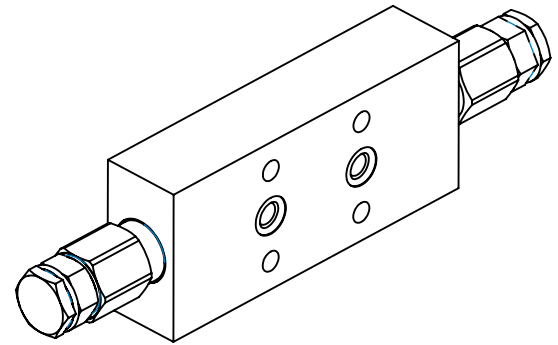
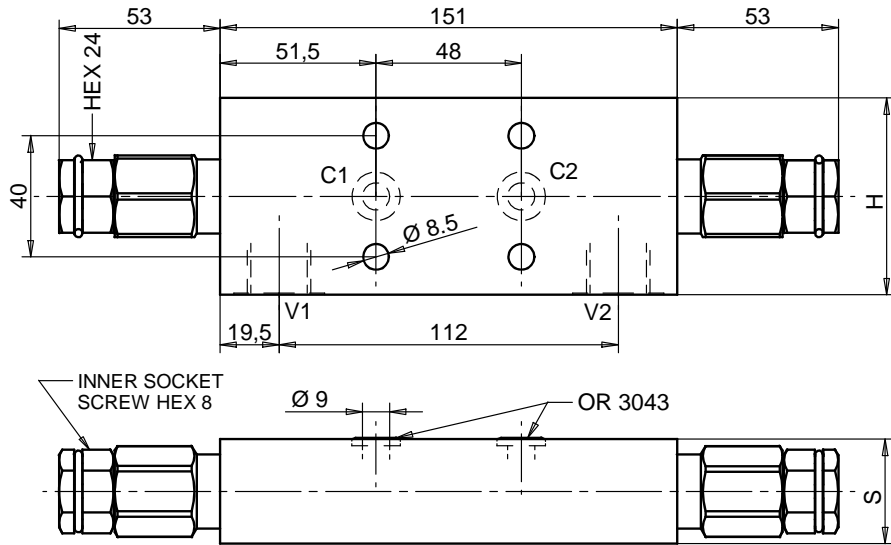
Max Flow	60 lpm
Max Pressure	350 bar
Pilot Ratio	4,2:1
Std. Pressure range	100 - 350 bar

**Materials:** Zinc plated steel manifold, hardened steel inner parts.

### Ordering Code

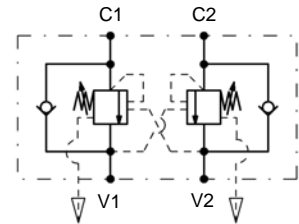
CBDLCC	
--	
Port Size BSP	
02	3/8
03	1/2

## Dimensions

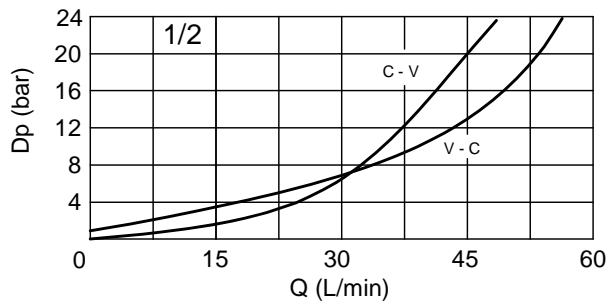


Size	V1 - V2	H	S
02	G 3/8	55	30
03	G 1/2	65	35

## Hydraulic Symbol



## Curves



## Features

Max Flow	60 lpm
Max Pressure	350 bar
Pilot Ratio	4,2:1
Std. Pressure range	100 - 350 bar

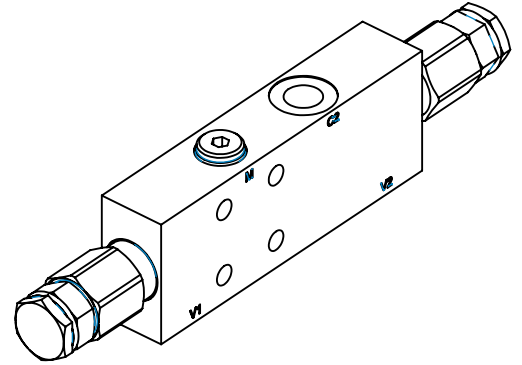
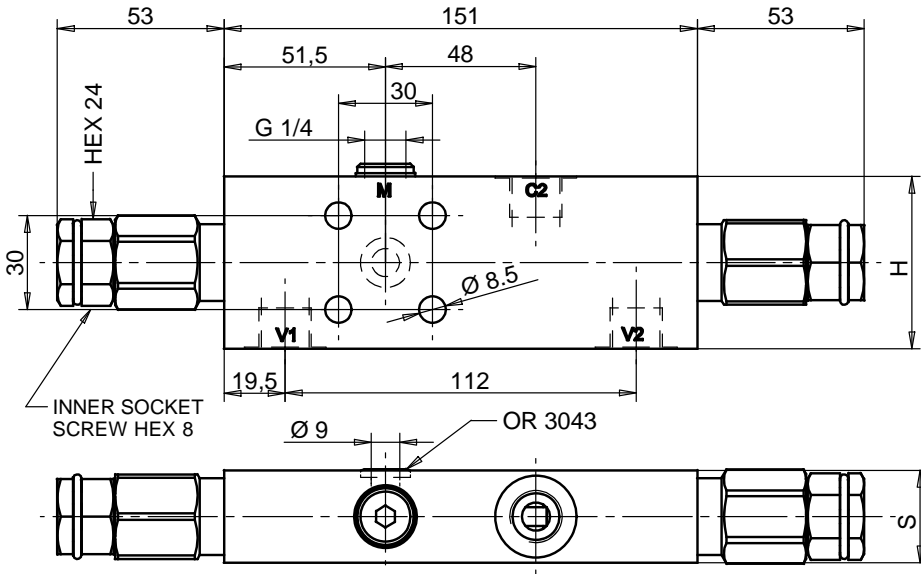
**Materials:** Zinc plated steel manifold, hardened steel inner parts.

## Ordering Code

**CBDLCC** - -

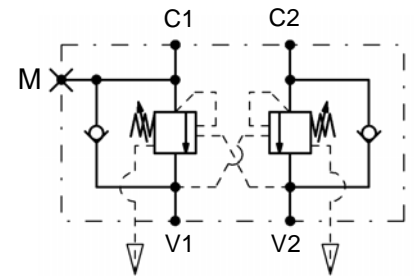
Port Size BSP	
02	3/8
03	1/2

## Dimensions

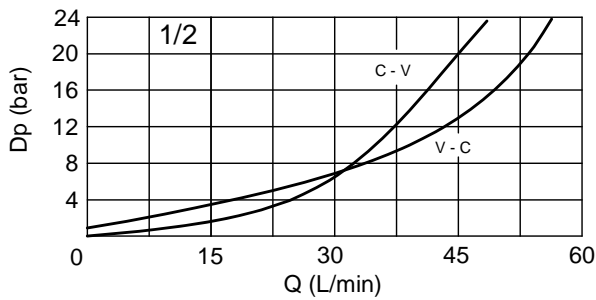


Size	V1 - V2	H	S
02	G 3/8	55	29,5
03	G 1/2	65	34,5

## Hydraulic Symbol



## Curves



## Features

Max Flow	60 lpm
Max Pressure	350 bar
Pilot Ratio	4,2:1
Std. Pressure range	100 - 350 bar

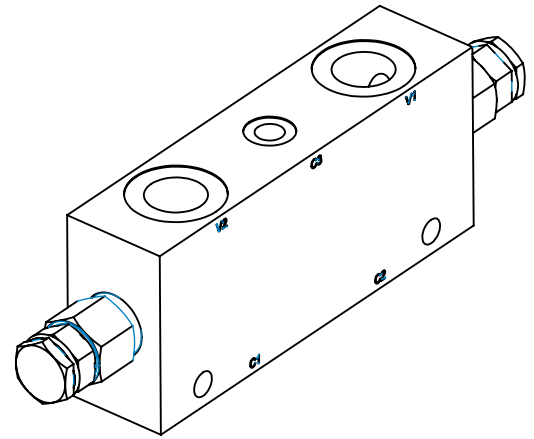
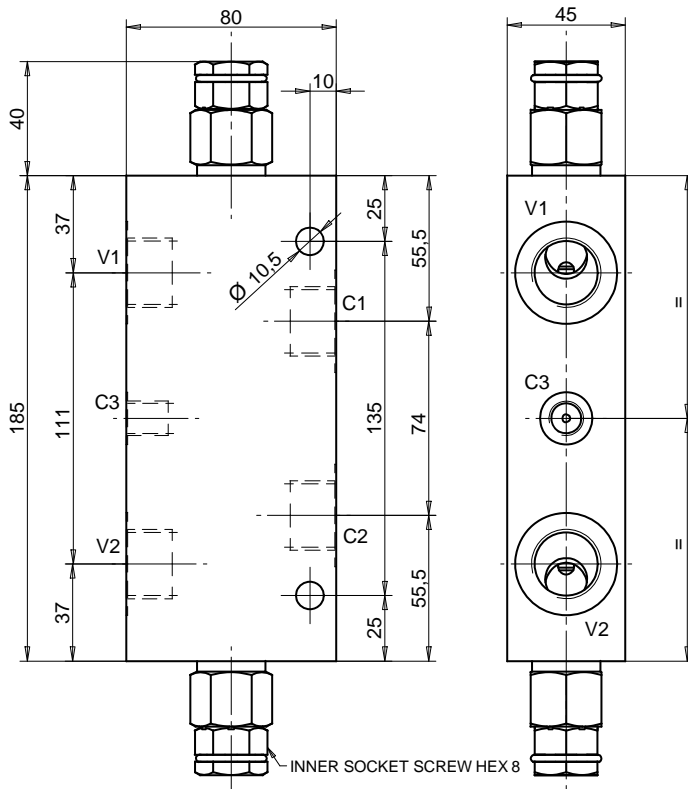
**Materials:** Zinc plated steel manifold, hardened steel inner parts.

## Ordering Code

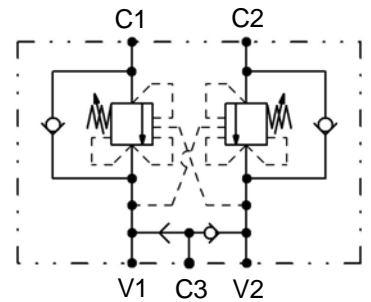
**CBDL1FCC** - -

Port Size BSP	
02	3/8
03	1/2

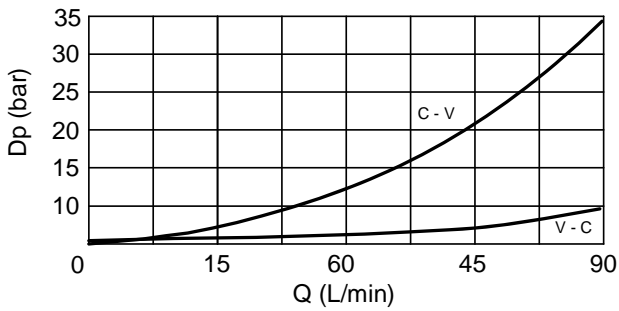
## Dimensions



## Hydraulic Symbol



## Curves



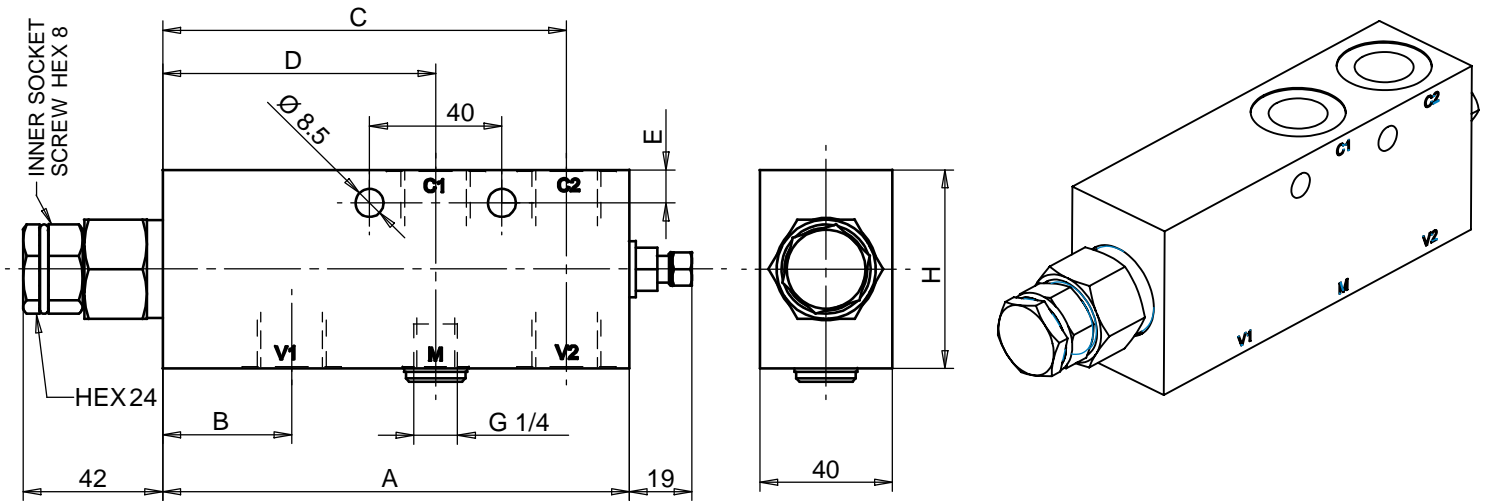
## Features

Max Flow	100 lpm
Max Pressure	350 bar
Pilot Ratio	4,2:1
Std. Pressure range	100 - 350 bar
Ports	V1-V2: G 3/4 C1-C2: G 3/4 C3: G 1/4

## Ordering Code

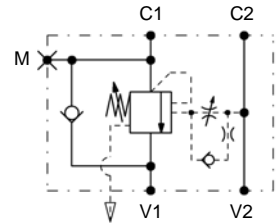
**CB90DLSFCC 04**

## Dimensions

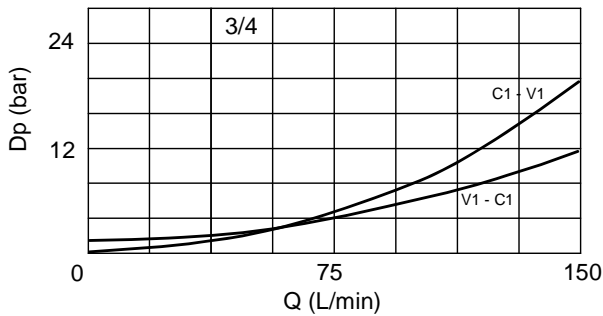


Size	V1 - V2	A	B	C	D	E	H
03	G 1/2	141	39	122,5	82,5	10	60
04	G 3/4	147	40	126	83	60	80

## Hydraulic Symbol



## Curves



## Features

Max Flow	150 lpm
Max Pressure	350 bar
Pilot Ratio	4:1 Standard
Std. Pressure range	100 - 350 bar

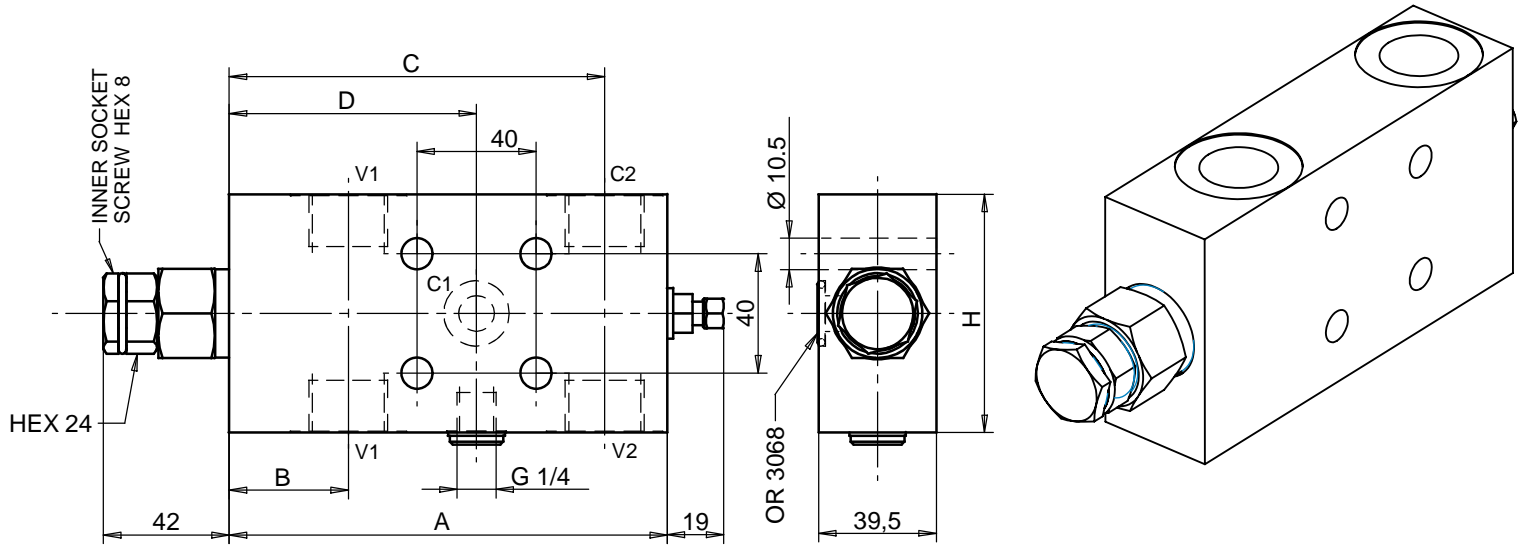
**Materials:** Zinc plated steel manifold, hardened steel inner parts.

## Ordering Code

**CB150SLCC** - -

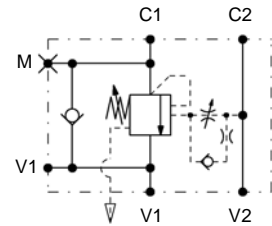
Port Size BSP	
03	1/2
04	3/4

## Dimensions

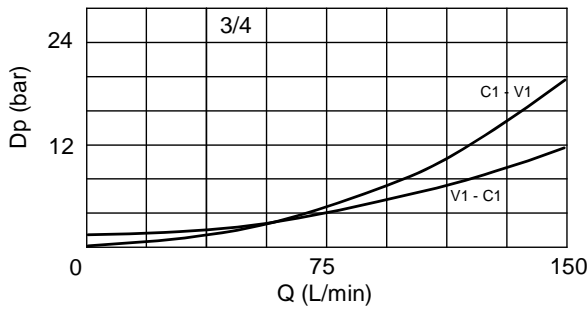


Size	V1 - V2	C1	A	B	C	D	H
03	G 1/2	12	141	39	122,5	82,5	60
04	G 3/4	12	141	40	126	83	80

## Hydraulic Symbol



## Curves



## Features

Max Flow	150 lpm
Max Pressure	350 bar
Pilot Ratio	4:1 Standard
Std. Pressure range	100 - 350 bar

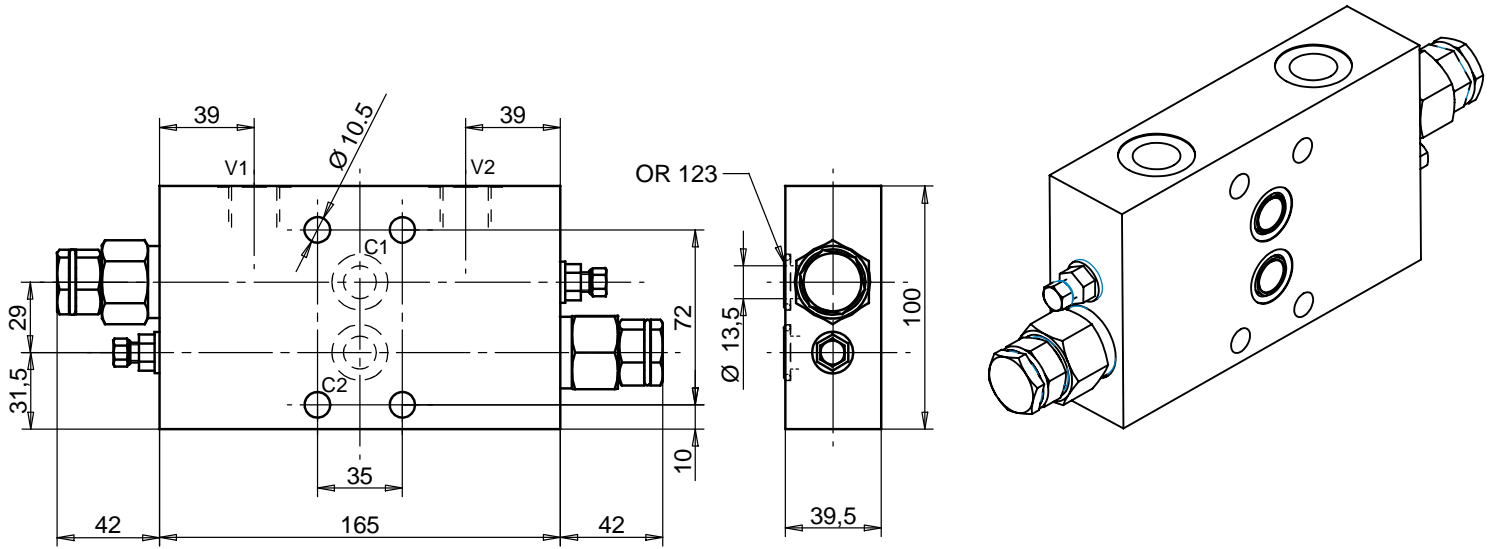
**Materials:** Zinc plated steel manifold, hardened steel inner parts.

## Ordering Code

**CB150SLFCC** - -

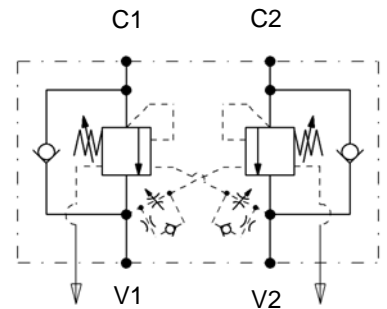
	Port Size BSP
03	1/2
04	3/4

**Dimensions**

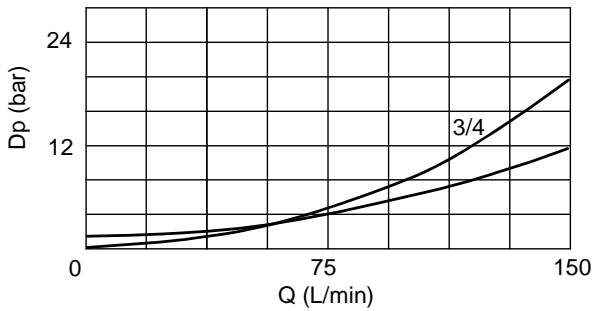


Size	V1 - V2 bsp	C1 - C2 Ø
<b>03</b>	1/2	13,5
<b>04</b>	3/4	13,5

**Hydraulic Symbol**



**Curves**



**Features**

<b>Max Flow</b>	150 lpm
<b>Max Pressure</b>	350 bar
<b>Pilot Ratio</b>	4:1 - Standard
<b>Std. Pressure range</b>	100 - 350 bar

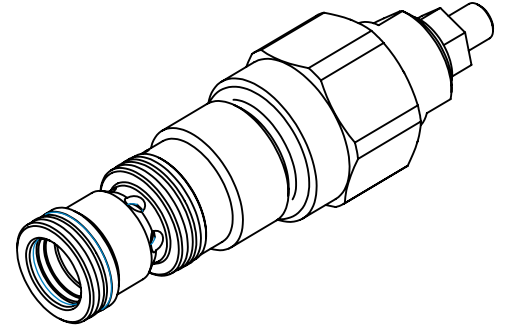
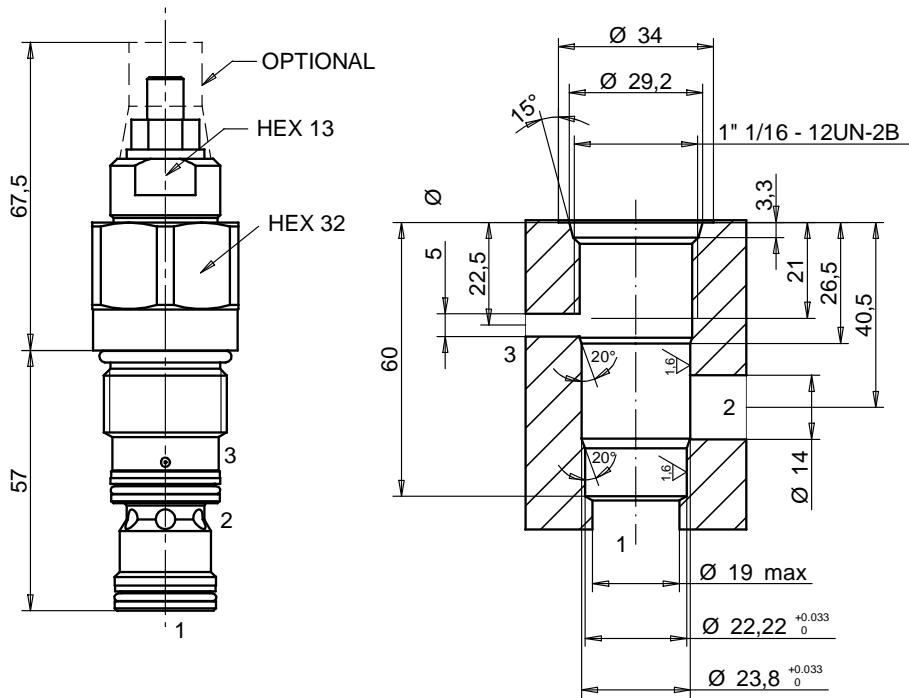
**Materials:** Zinc plated steel cartridge, hardened steel inner parts. Aluminium manifold.

**Ordering Code**

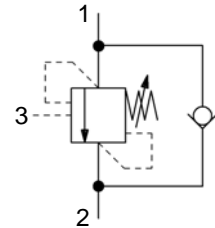
**CB150DLFCC** - -

Port Size BSP	
<b>03</b>	1/2
<b>04</b>	3/4

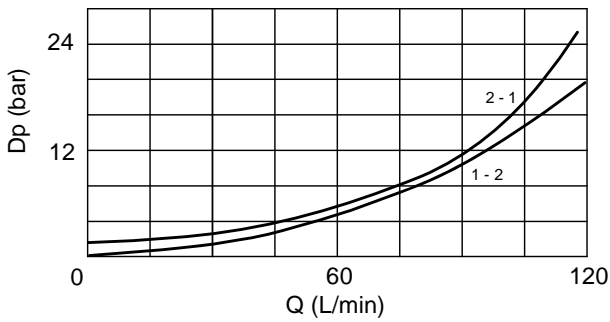
## Dimensions



## Hydraulic Symbol



## Curves



## Features

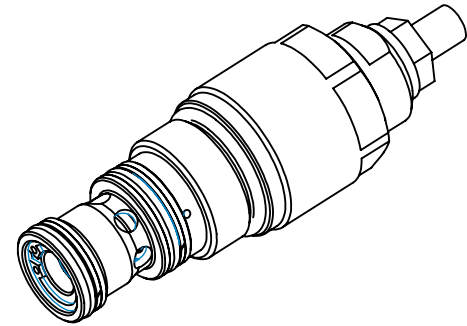
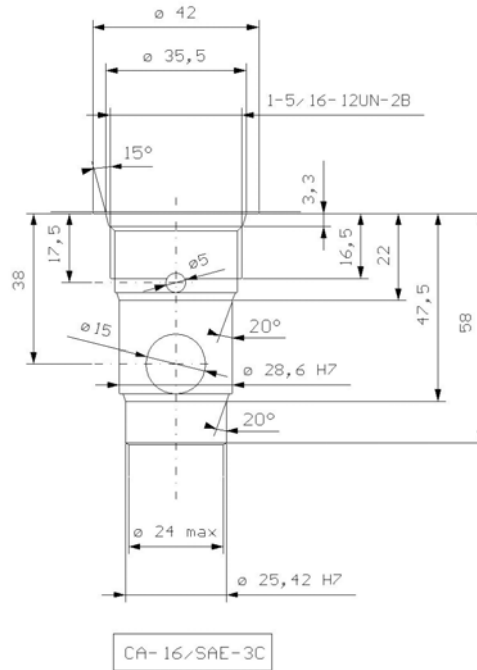
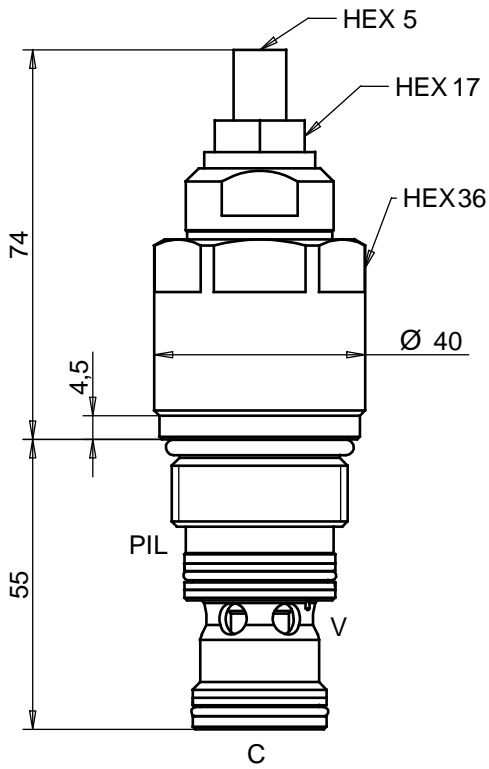
Max Flow	120 lpm
Max Pressure	350 bar
Pilot Ratio	4:1 - Standard
Installation torque	75 - 85 Nm
Std. Pressure range	140 - 350 bar

## Ordering Code

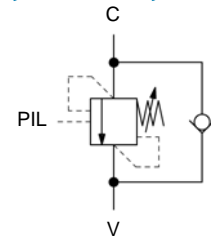
**CBCE 120**



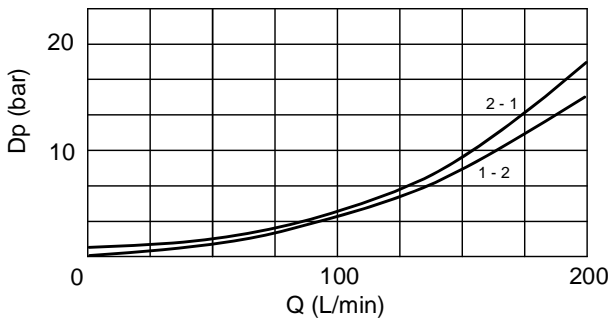
## Dimensions



## Hydraulic Symbol



## Curves



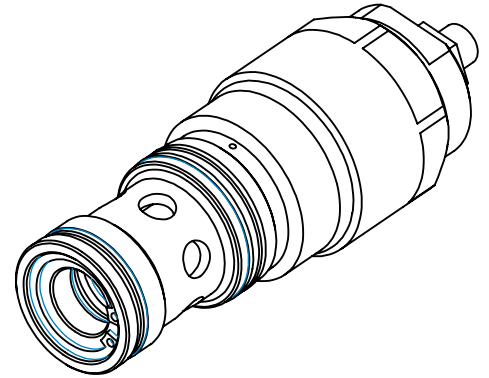
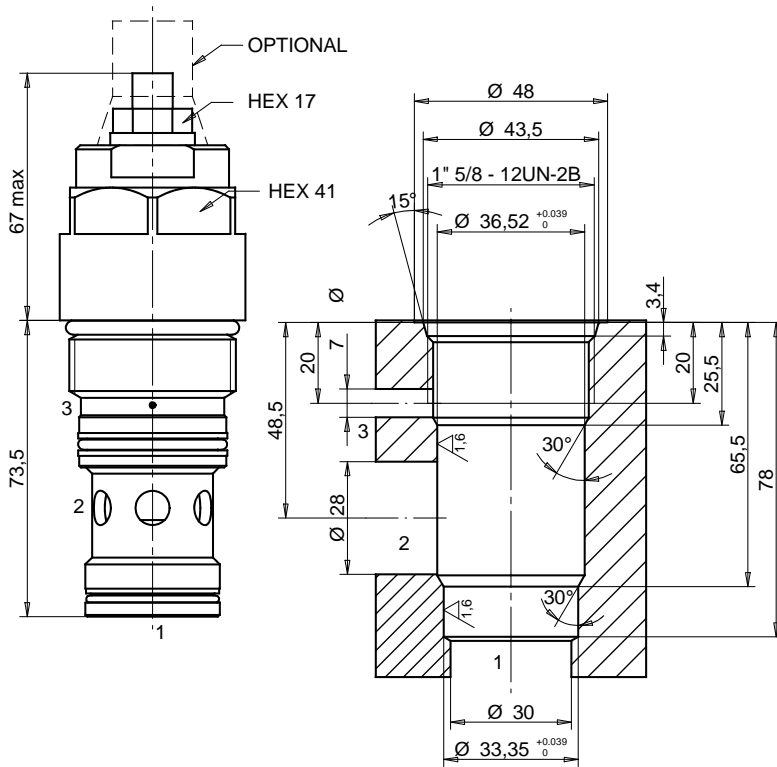
## Features

Max Flow	200 lpm
Max Pressure	350 bar
Pilot Ratio	4:1 - Standard
Std. Pressure range	100 - 350 bar
Installation torque	105 - 120 Nm

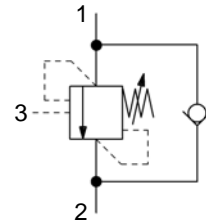
## Ordering Code

**CBCE 200**

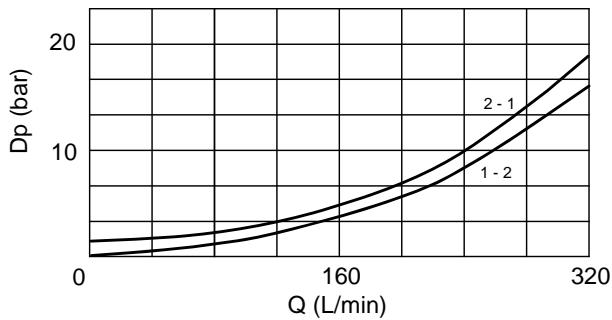
**Dimensions**



**Hydraulic Symbol**



**Curves**



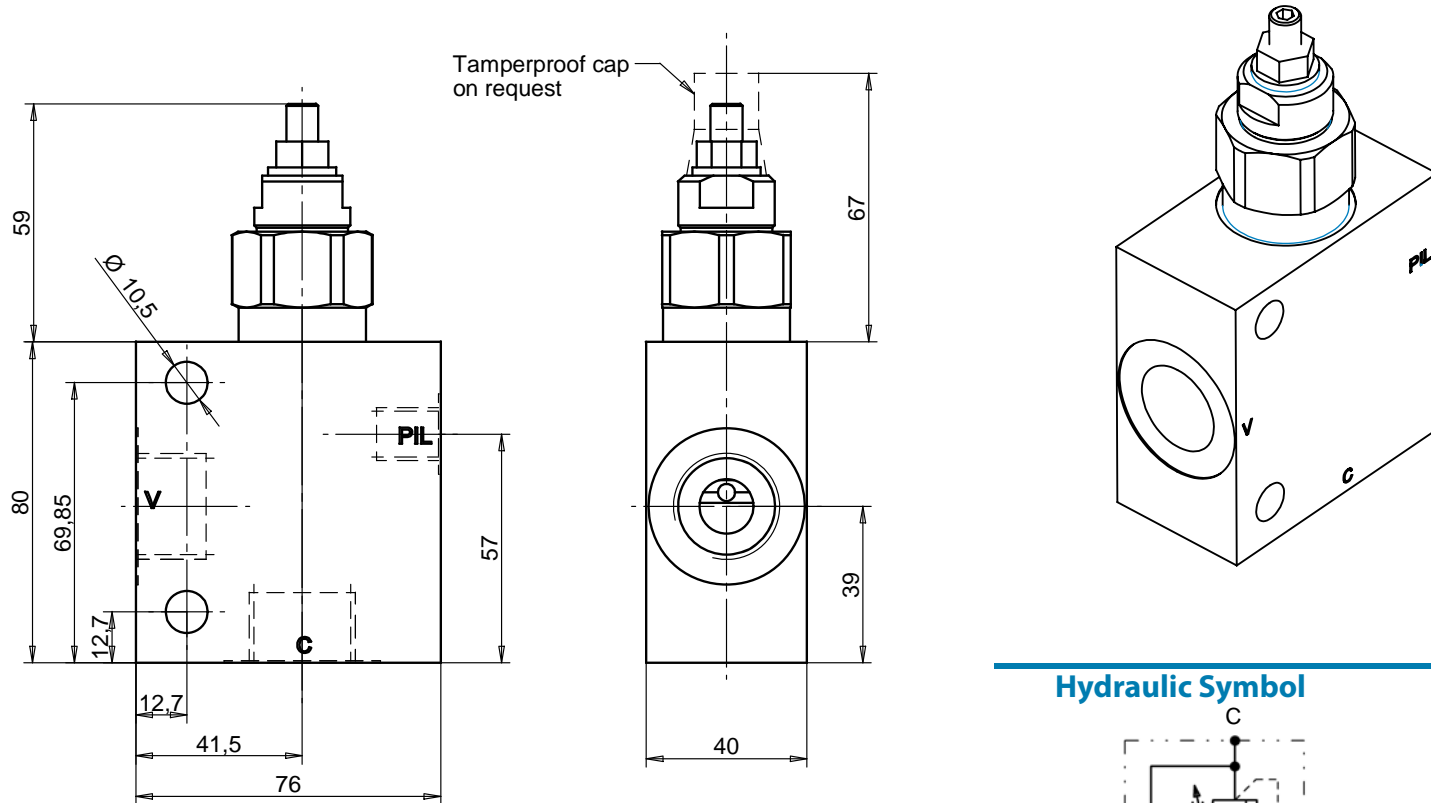
**Features**

<b>Max Flow</b>	320 lpm
<b>Max Pressure</b>	350 bar
<b>Pilot Ratio</b>	4:1 - Standard
<b>Std. Pressure range</b>	140 - 350 bar
<b>Installation torque</b>	126 - 148 Nm

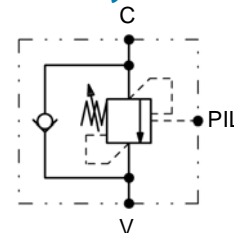
**Ordering Code**

**CBCE 320**

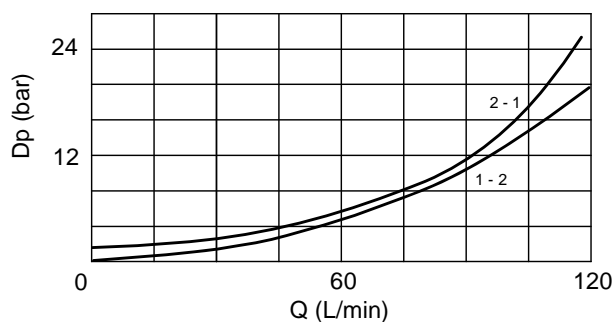
**Dimensions**



**Hydraulic Symbol**



**Curves**



**Features**

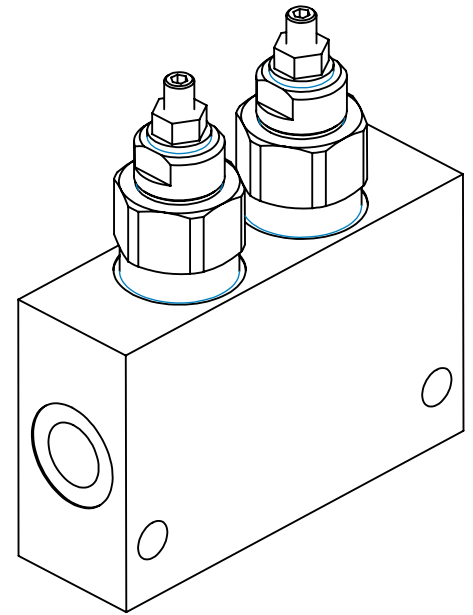
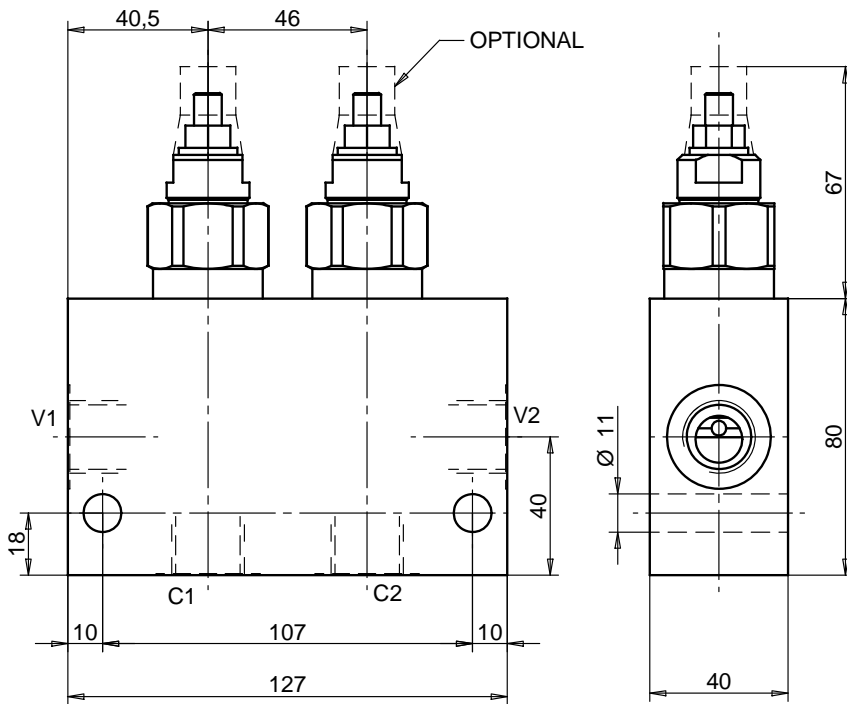
<b>Max Flow</b>	120 lpm
<b>Max Pressure</b>	250 bar
<b>Pilot Ratio</b>	4:1 - Standard
<b>Std. Pressure range</b>	140 - 350 bar
<b>Ports</b>	V-C: G 3/4 PIL: G 1/4

**Materials:** Zinc plated steel cartridge, hardened steel inner parts. Aluminium manifold.

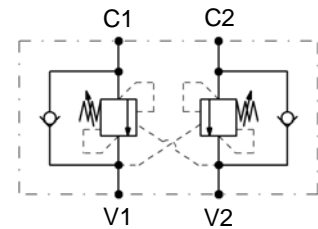
**Ordering Code**

**CBCE120SE 04**

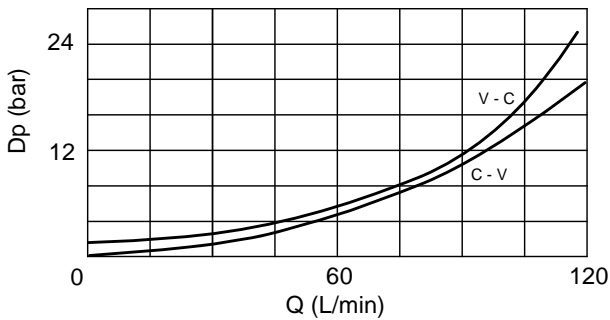
### Dimensions



### Hydraulic Symbol



### Curves



### Features

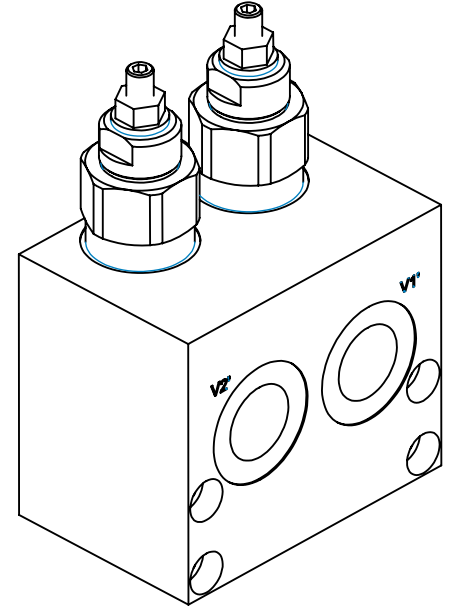
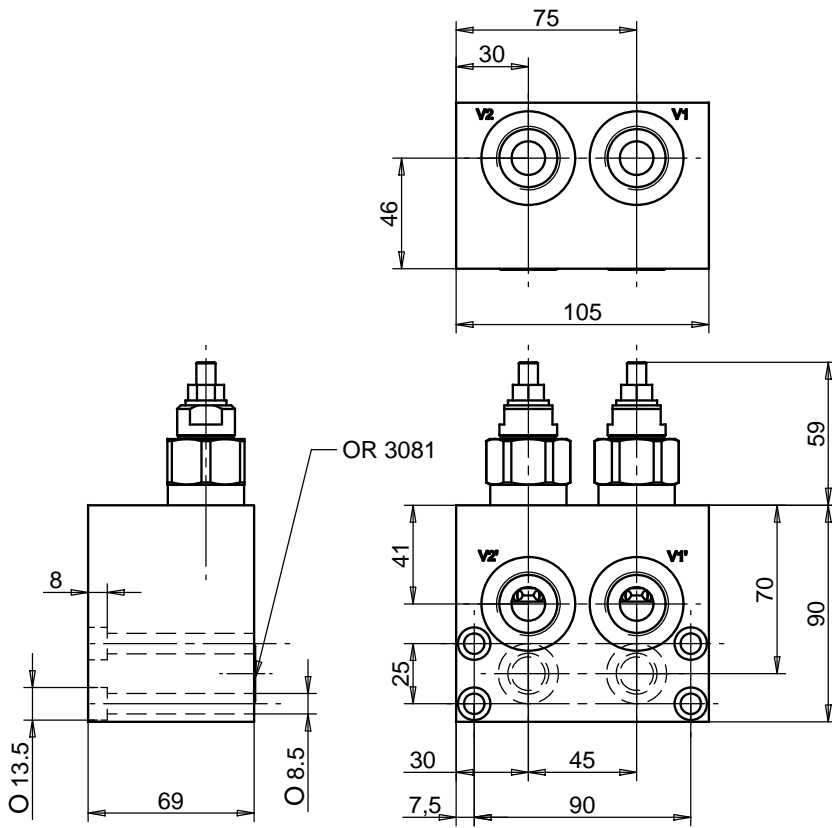
Max Flow	120 lpm
Max Pressure	350 bar
Pilot Ratio	4:1 - Standard
Ports	1/2 bsp

**Materials:** Zinc plated steel cartridge, hardened steel inner parts.  
Aluminium manifold.

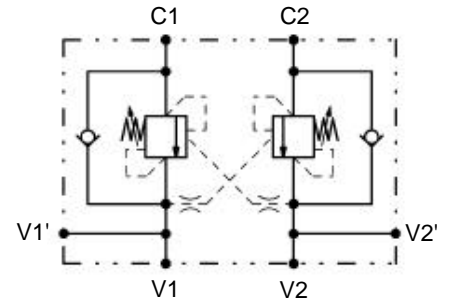
### Ordering Code

**CBCE120DE 03**

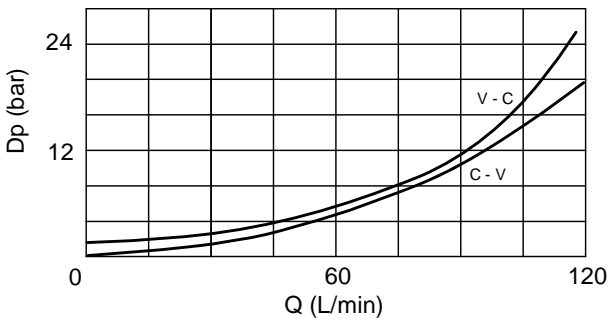
**Dimensions**



**Hydraulic Symbol**



**Curves**



**Materials:** Zinc plated steel manifold, hardened steel inner parts.

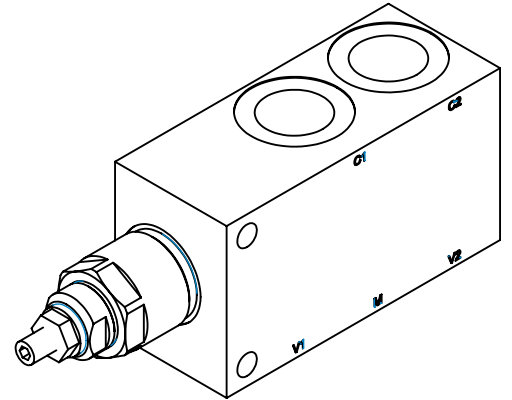
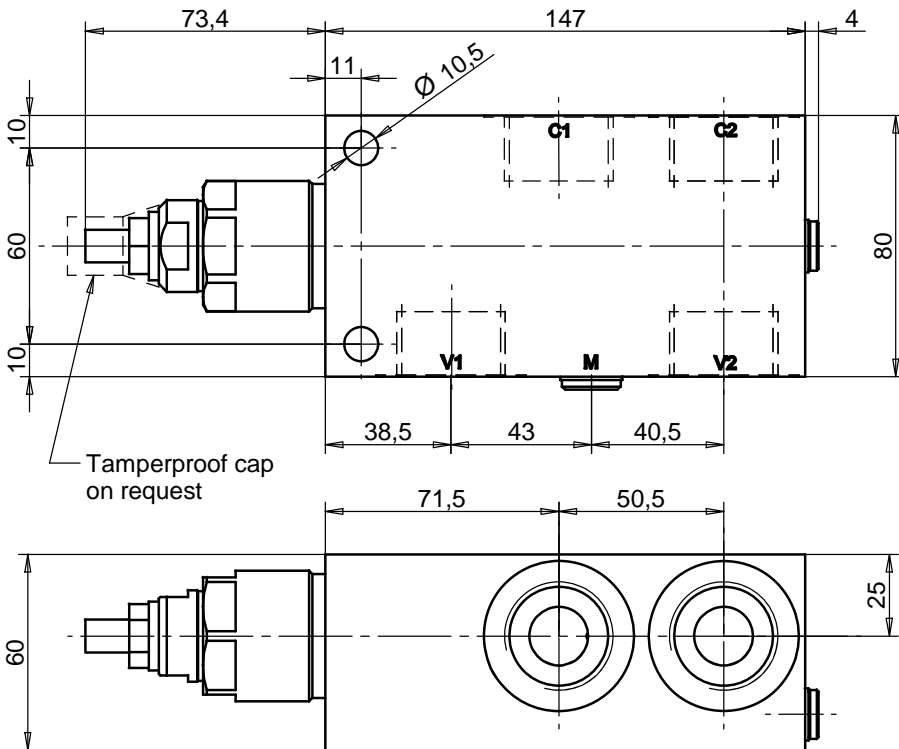
**Features**

Max Flow	120 lpm
Max Pressure	350 bar
Pilot Ratio	4:1
Std. Pressure range	140 - 350 bar
Ports	V1-V2: G 3/4 V1'-V2': G 3/4 C1-C2: Ø 14

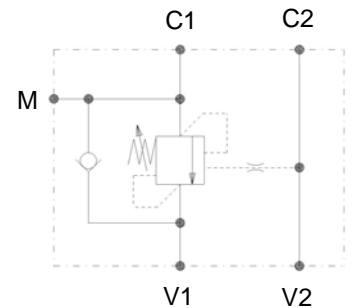
**Ordering Code**

**CBCD120DEF 04**

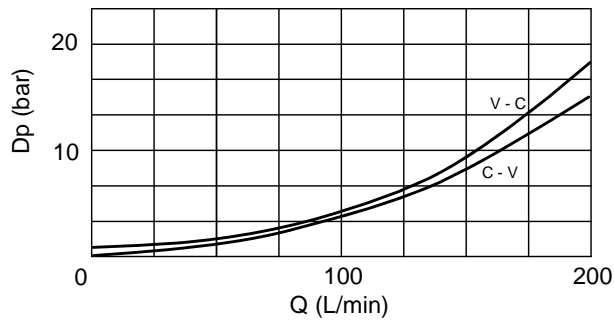
### Dimensions



### Hydraulic Symbol



### Curves



### Features

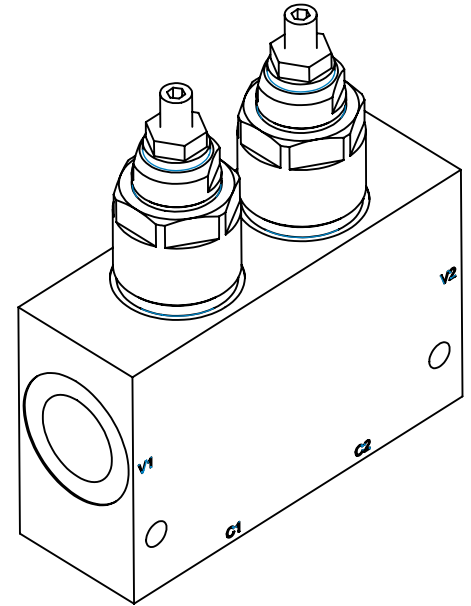
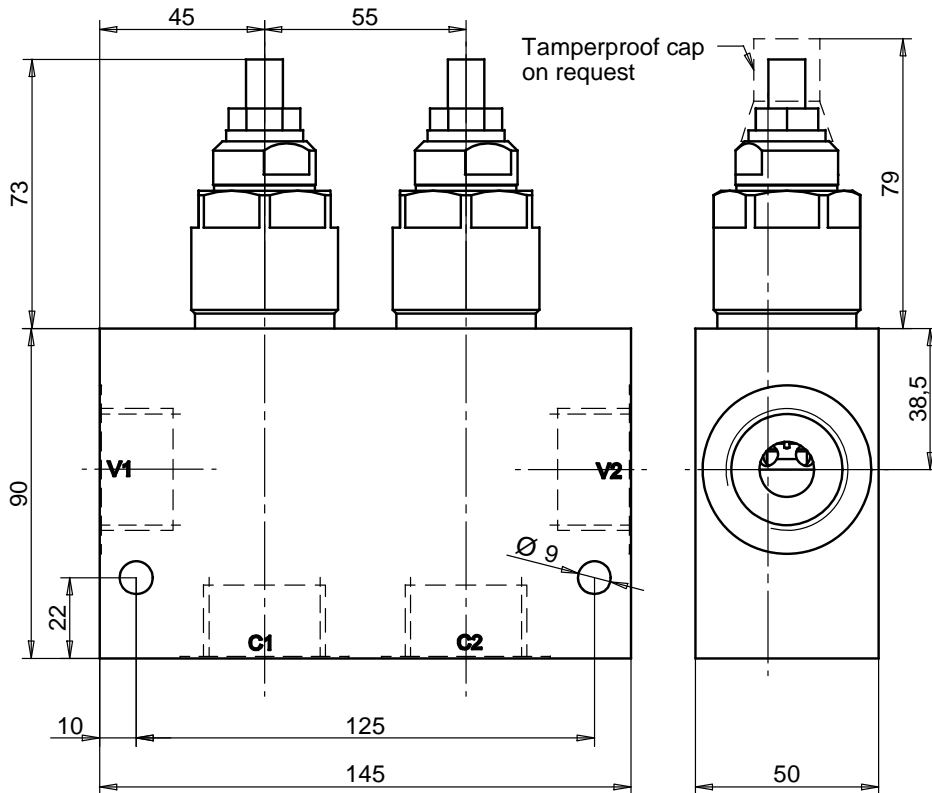
Max Flow	200 lpm
Max Pressure	250 bar
Pilot Ratio	4:1
Std. Pressure range	140 - 350 bar
Ports	V1-V2-C1-C2: 1 bsp M: 1/4 bsp

**Materials:** Zinc plated steel cartridge, hardened steel inner parts. Aluminium manifold.

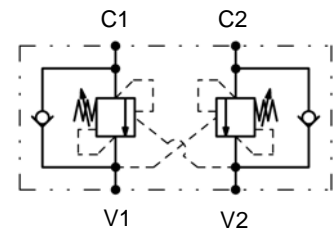
### Ordering Code

**CBCE200SE 05**

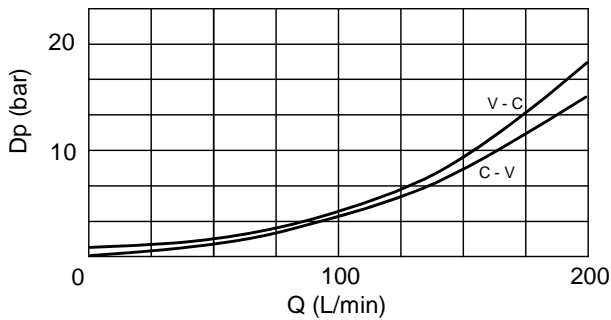
**Dimensions**



**Hydraulic Symbol**



**Curves**



**Features**

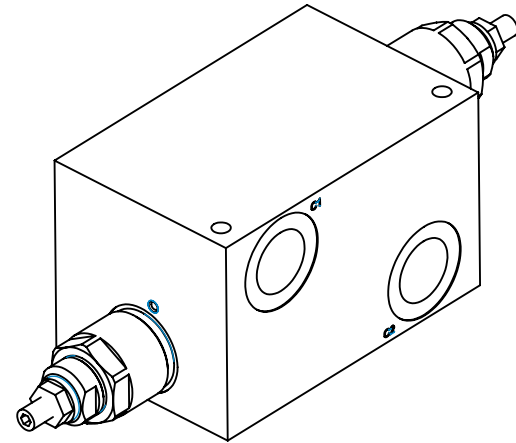
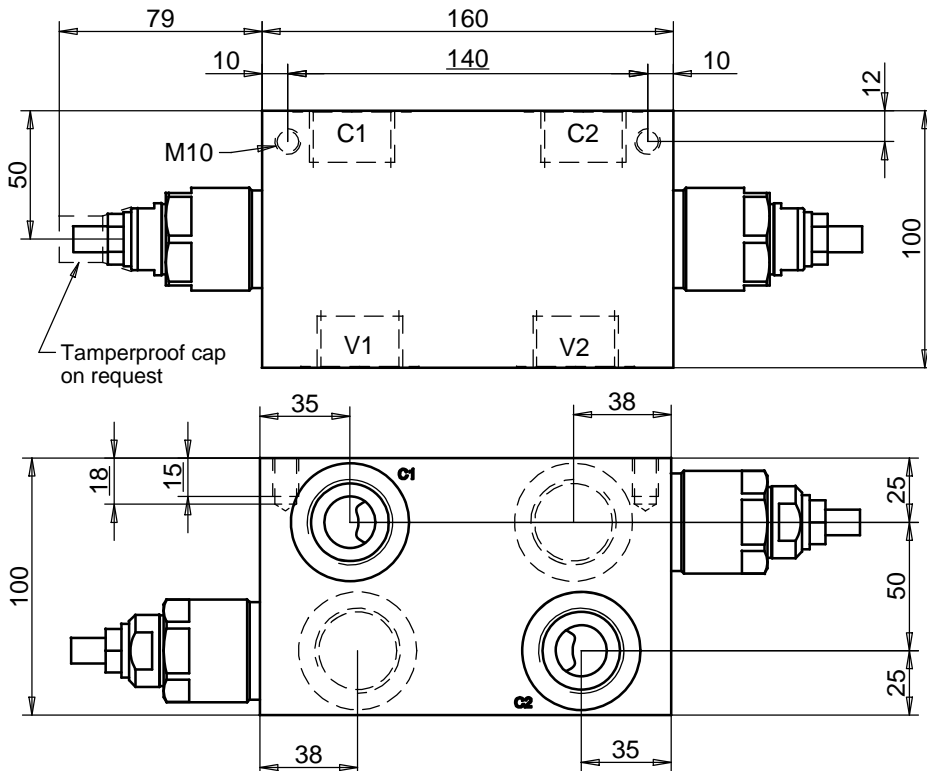
Max Flow	200 lpm
Max Pressure	250 bar
Pilot Ratio	4:1
Std. Pressure range	140 - 350 bar
Ports	V1-V2-C1-C2: 1 bsp

**Materials:** Zinc plated steel cartridge, hardened steel inner parts. Aluminium manifold.

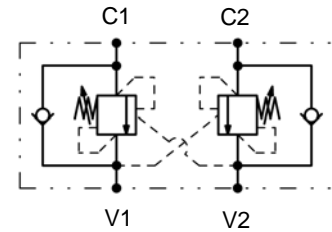
**Ordering Code**

**CBCE200DE 05**

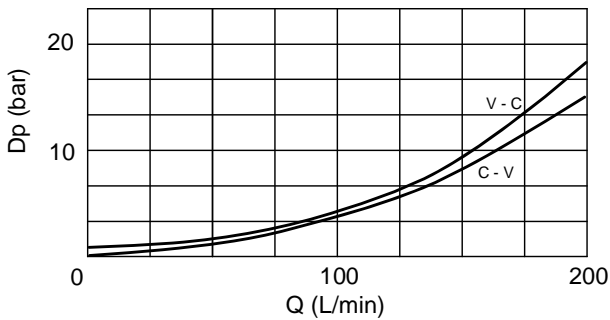
Dimensions



Hydraulic Symbol



Curves



Features

Max Flow	200 lpm
Max Pressure	350 bar
Pilot Ratio	4:1
Std. Pressure range	140 - 350 bar
Ports	V1-V2-C1-C2: 1 bsp

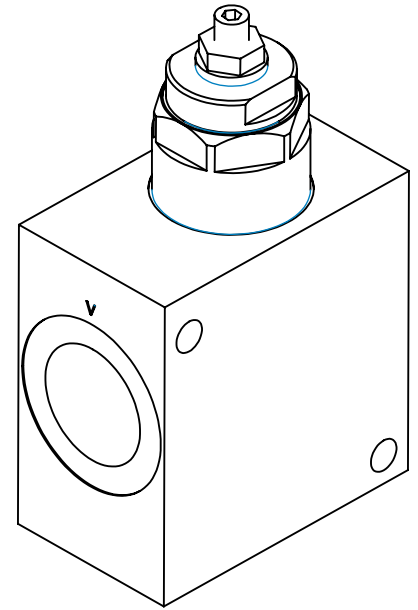
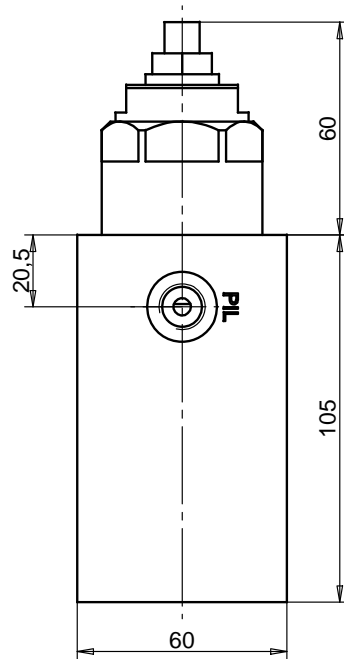
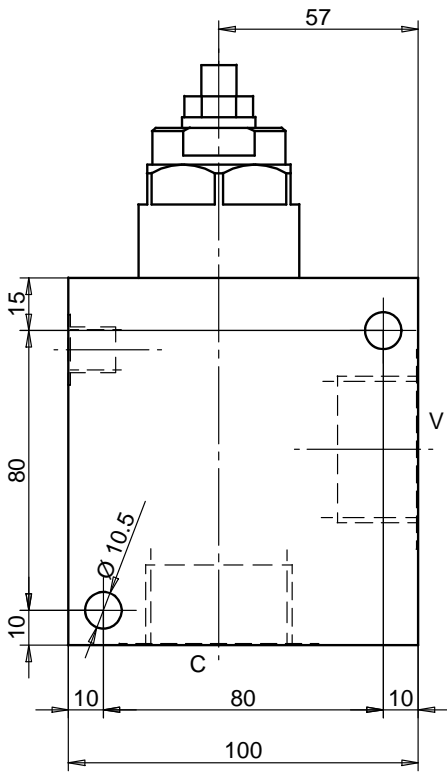
**Materials:** Zinc plated steel cartridge, hardened steel inner parts.  
Aluminium manifold.

Ordering Code

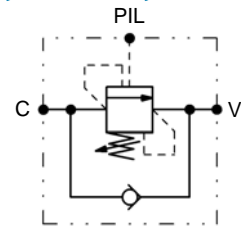
CBCE200DEL 05



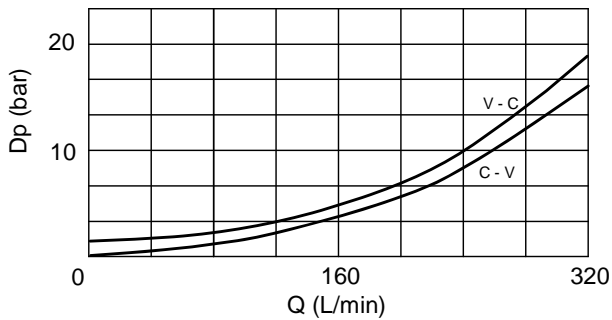
### Dimensions



### Hydraulic Symbol



### Curves



### Features

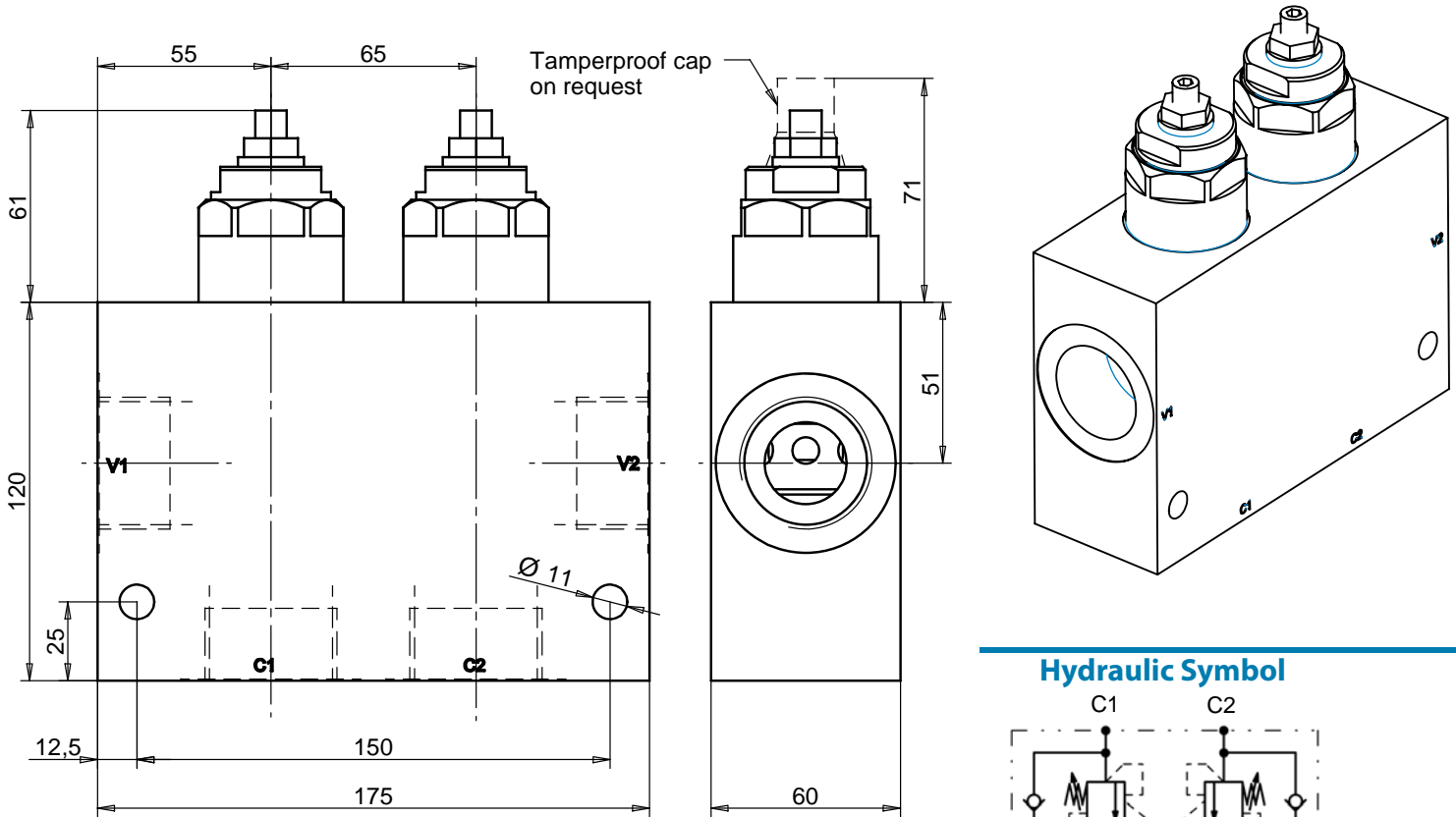
Max Flow	320 lpm
Max Pressure	350 bar
Pilot Ratio	4:1 Standard
Ports	1" 1/4 bsp
Std. Pressure range	140 - 350 bar

**Materials:** Aluminium manifold, hardened steel inner parts.

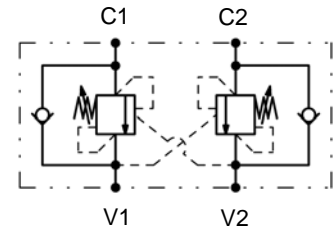
### Ordering Code

**CBCE320SE 06**

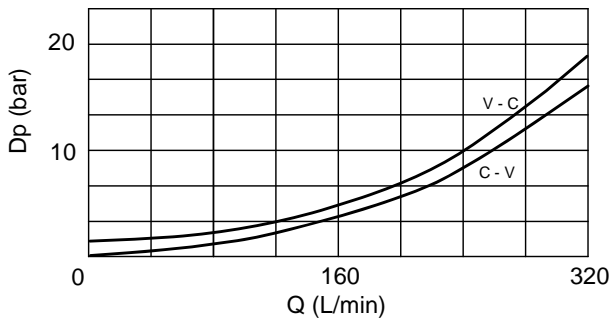
## Dimensions



## Hydraulic Symbol



## Curves



## Features

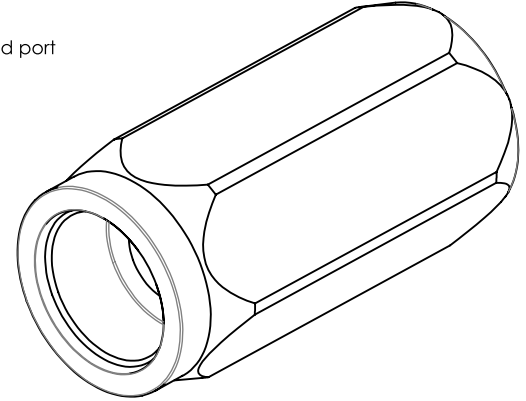
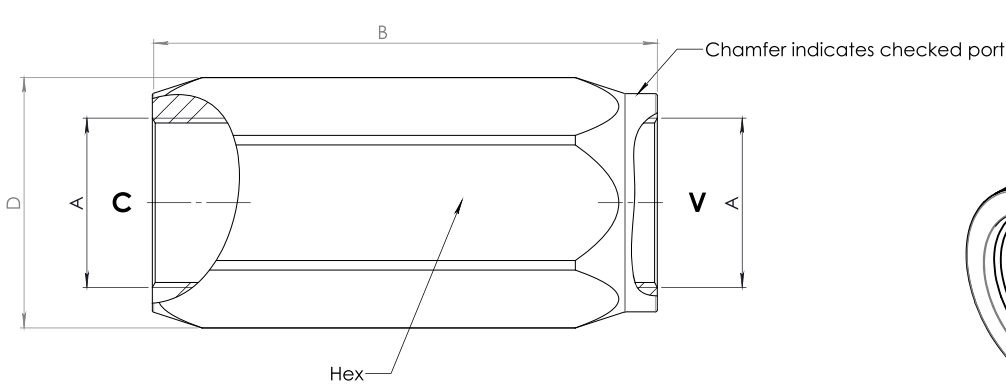
Max Flow	320 lpm
Max Pressure	250 bar
Pilot Ratio	4:1
Std. Pressure range	140 - 350 bar
Ports	V1-V2-C1-C2: 1" 1/4 bsp

**Materials:** Zinc plated steel cartridge, hardened steel inner parts.  
Aluminium manifold.

## Ordering Code

**CBCE320DE 06**

### Dimensions

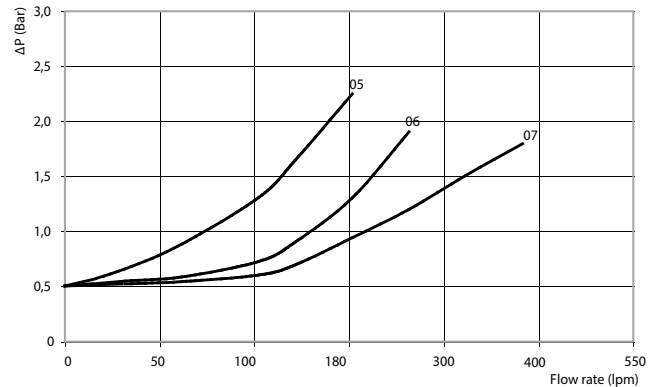
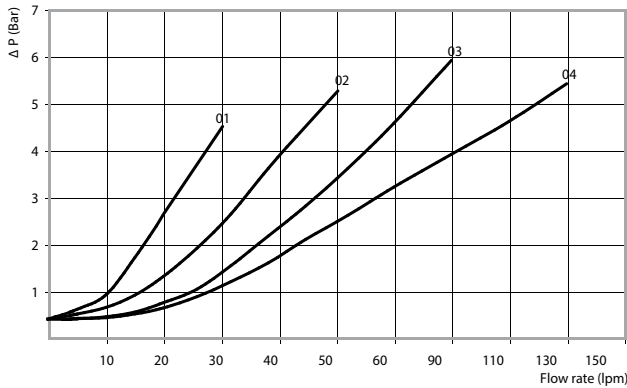


Size	A BSP	B	D	Hex	Weight kg	Max Pressure bar	Max Flow rate lpm
01	1/4	58	21	19	0,10	400	30
02	3/8	62	27	24	0,19	400	50
03	1/2	71	33	30	0,32	350	90
04	3/4	83	40	36	0,58	300	130
05	1	106	57	50	0,93	280	180
06	1 1/4	125	63	55	1,51	260	250
07	1 1/2	137	74	65	2,41	220	380

### Hydraulic Symbol



### Curves



**Materials:** Zinc plated steel body, hardened steel poppet.

### Ordering Code

CVL

--

-

#### Size BSP

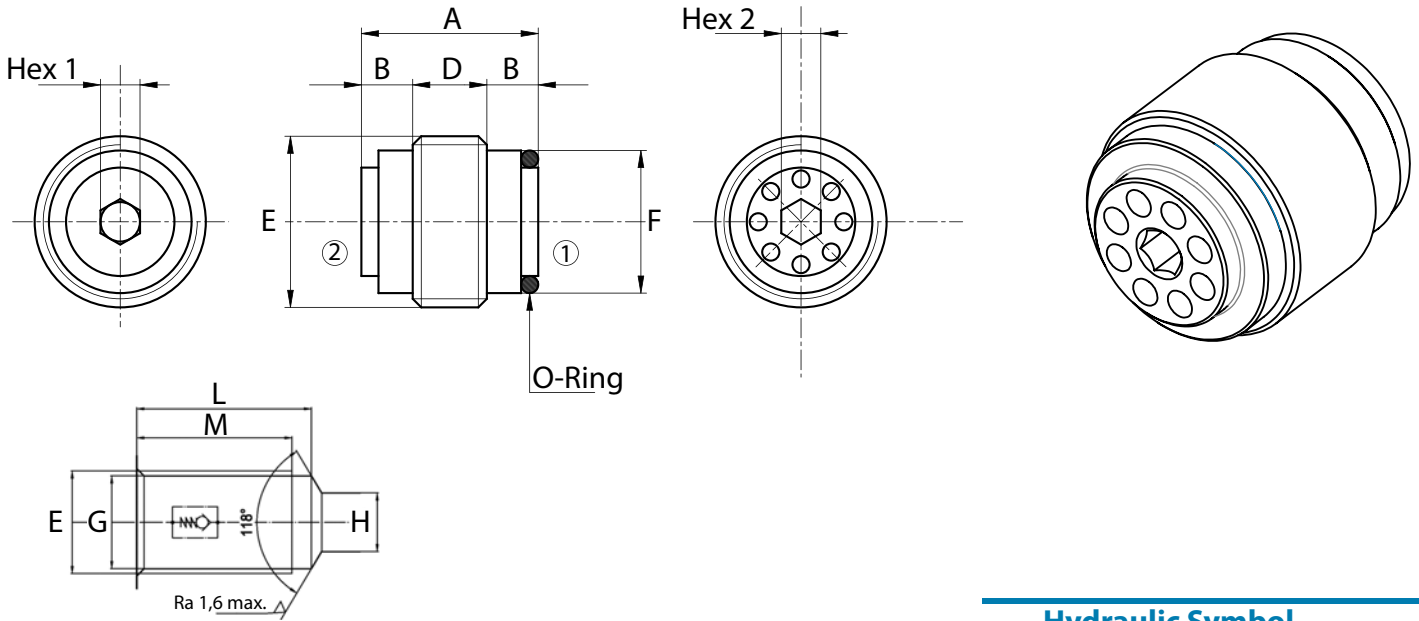
01	1/4
02	3/8
03	1/2
04	3/4
05	1
06	1 1/4
07	1 1/2

#### Spring (bar)

	0,5
4	4
8	8

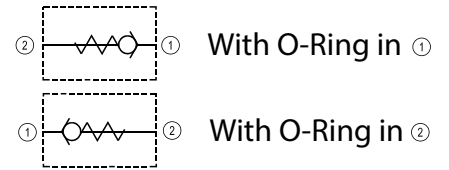
**Ordering Code Example:** CVL03 = 1/2 BSP - 0,5 bar Cracking pressure.

### Dimensions

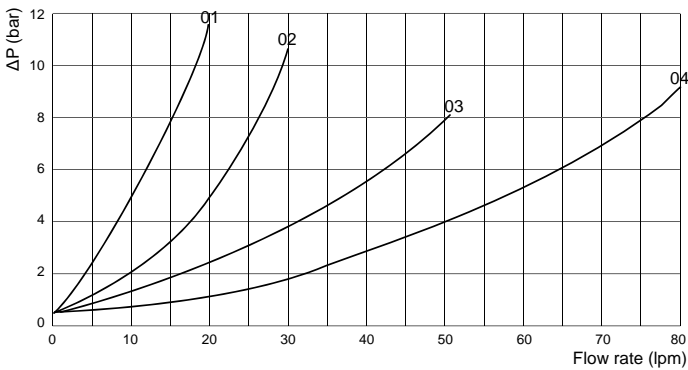


Size	A	B	D	E BSP	F	G	H max	L	M	Hex1	Hex2	O-Ring	Weight kg
<b>01</b>	17	5,5	6	1/4	11,3	11,8	8	29	26	3	3	1 x 9	0,01
<b>02</b>	18,5	5,5	7,5	3/8	14,8	15,2	9	30	27	4	3	1,78 x 10,82	0,02
<b>03</b>	23	7	9,5	1/2	18,5	19	12	36	32	6	5	1,78 x 14	0,04
<b>04</b>	28,5	7,5	14,5	3/4	24	24,5	16	43	39,5	8	8	2,62 x 18,72	0,07

### Hydraulic Symbol



### Curves



### Features

Size	01	02	03	04
<b>Max Pressure (bar)</b>	350	350	350	350
<b>Max Flow Rate (lpm)</b>	20	30	50	80
<b>Cracking Pressure (bar)</b>	0,5	0,5	0,5	0,5
<b>Tightening Torque (Nm)</b>	6	10	20	30

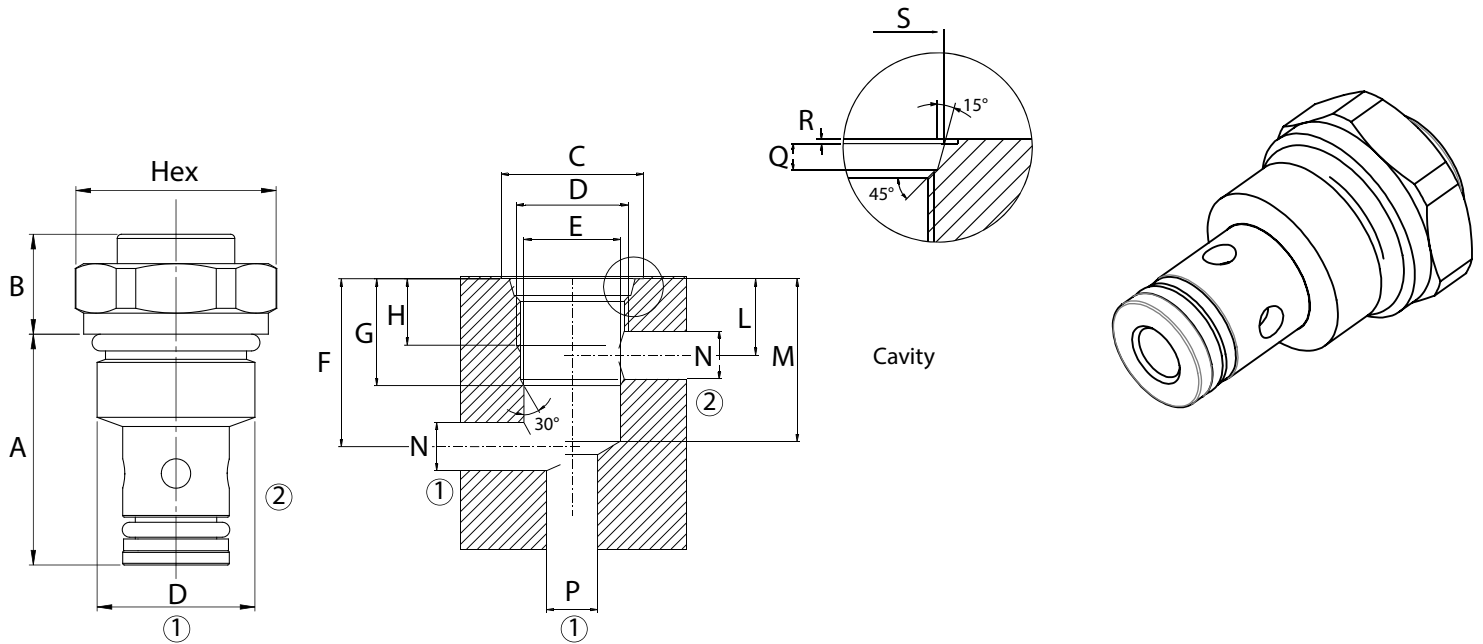
**Materials:** Steel cartridge.

### Ordering Code

<b>CVI</b>	- -
	<b>Size BSP</b>
<b>01</b>	1/4
<b>02</b>	3/8
<b>03</b>	1/2
<b>04</b>	3/4

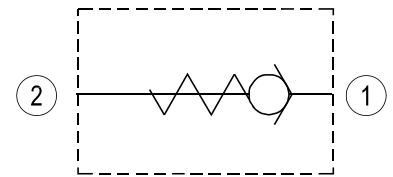
**Ordering Code Example:** CVI02 = 3/8 BSP.

Dimensions

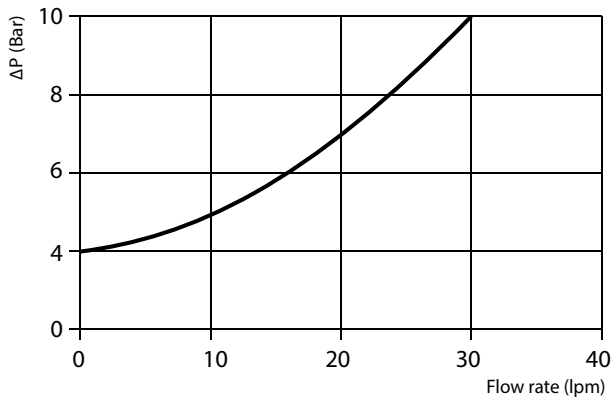


A	B	C	D	E H7	F	G	H	L	M	N max	P max	Q	R	S	Hex	Weight kg
27,5	12	28	3/4-16UNF	Ø12,7	31,5	19	13	13	29	9	11	2,5	0,5	20,7	22	0,055

Hydraulic Symbol



Curves



Features

Max Flow Rate	20 lpm
Max Pressure	350 bar
Cracking Pressure	4 bar
Tightening Torque	50-60 Nm

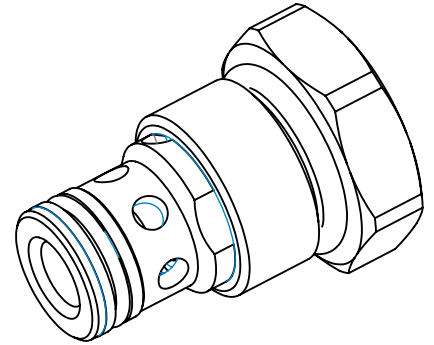
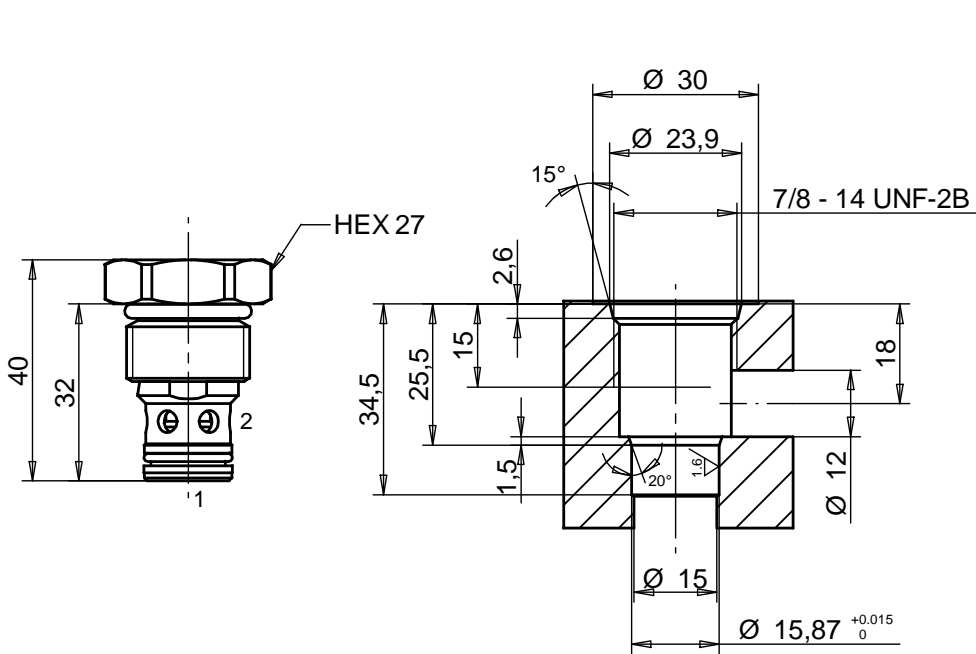
Materials: Zinc plated steel cartridge.

Ordering Code

CVC 20

Ordering Code Example: CVC20.

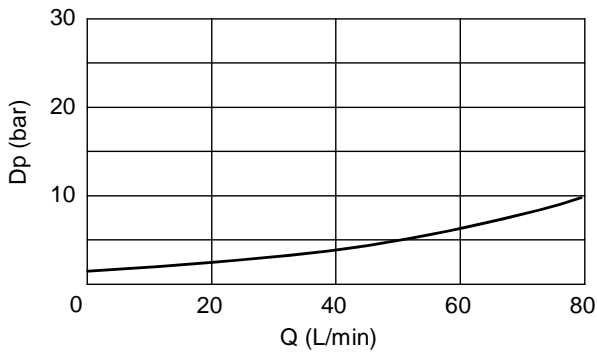
Dimensions



Hydraulic Symbol



Curves



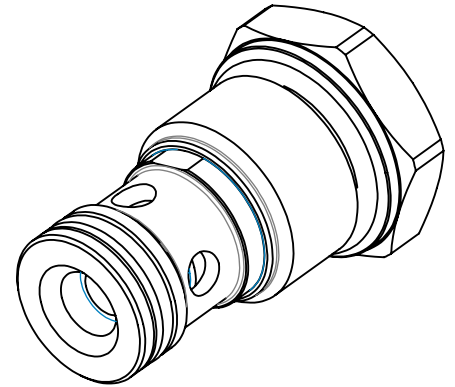
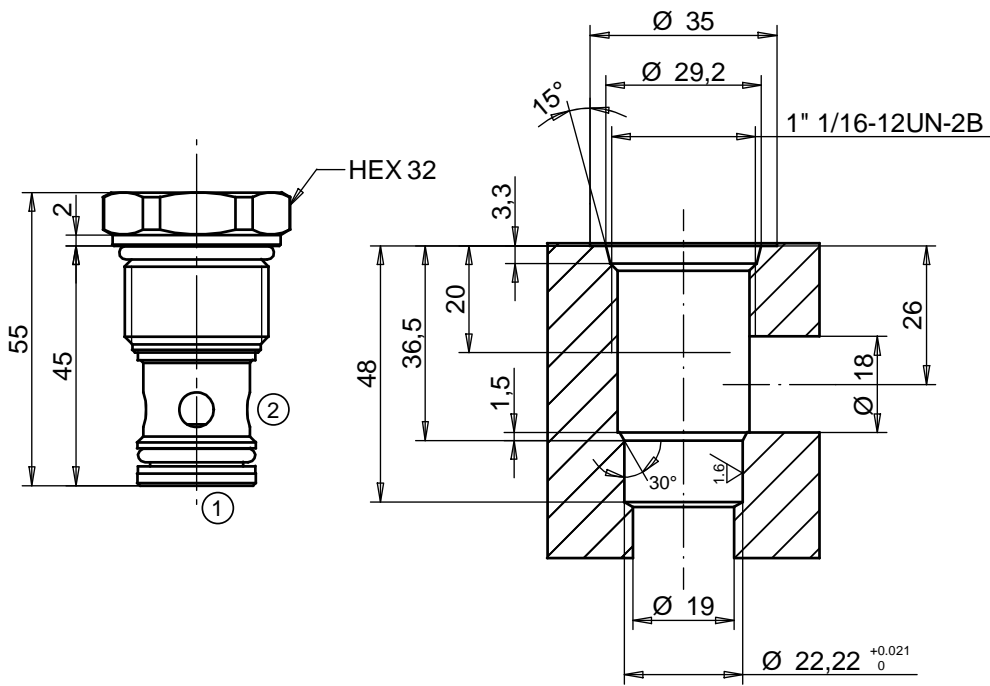
Features

Max Flow	80 lpm
Max Pressure	350 bar
Cracking Pressure	1,5 bar
Installation Torque	40-45 Nm

Ordering Code

CVC 80

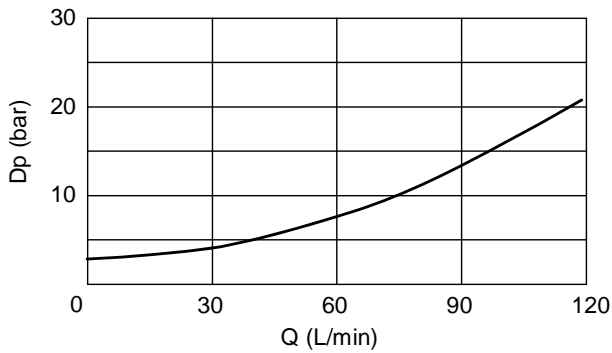
Dimensions



Hydraulic Symbol



Curves



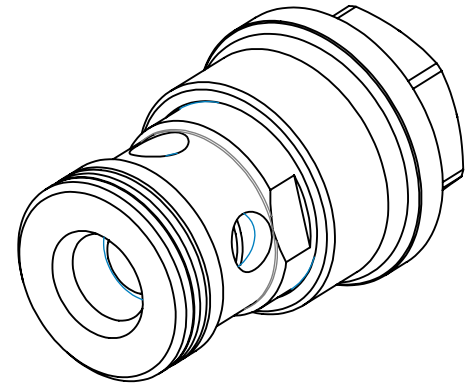
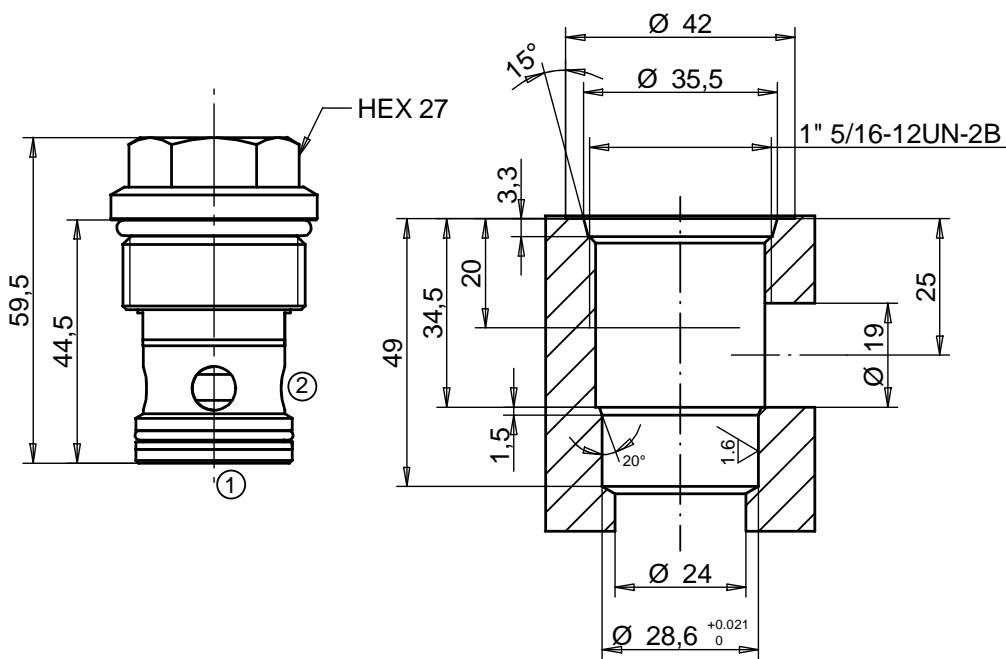
Features

Max Flow	120 lpm
Max Pressure	350 bar
Cracking Pressure	3,5 bar
Installation Torque	80-95 Nm

Ordering Code

CVC 120

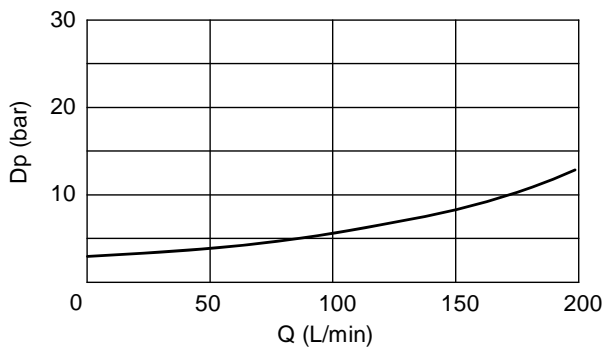
Dimensions



Hydraulic Symbol



Curves



Features

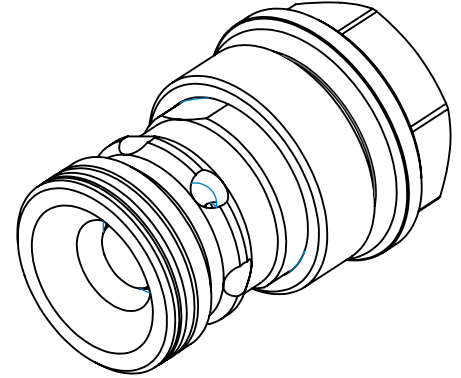
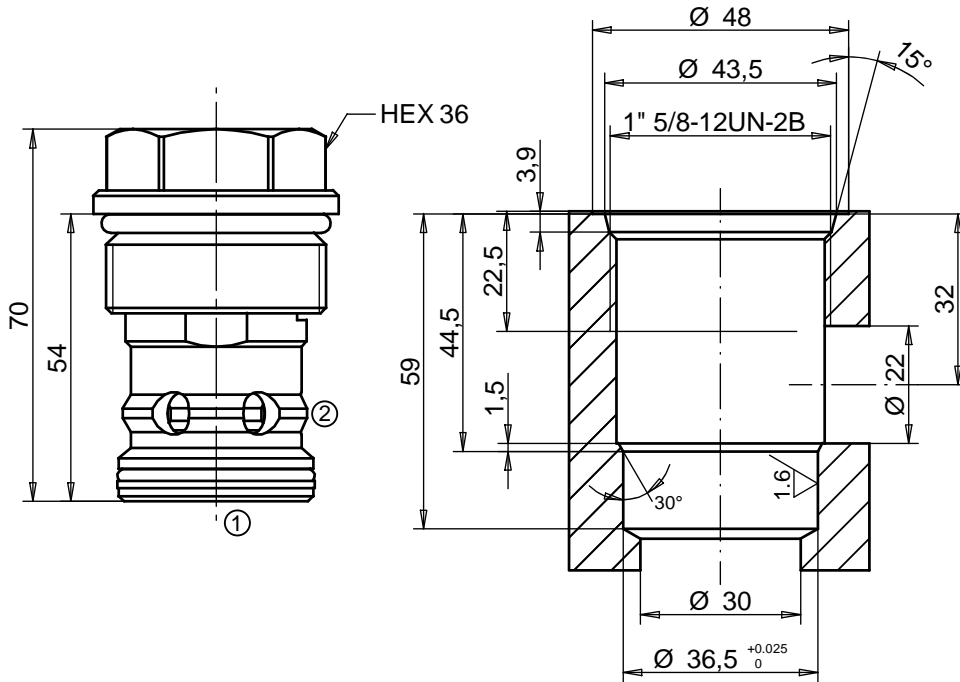
Max Flow	200 lpm
Max Pressure	350 bar
Cracking Pressure	3,5 bar
Installation Torque	105-120 Nm

Ordering Code

CVC 200



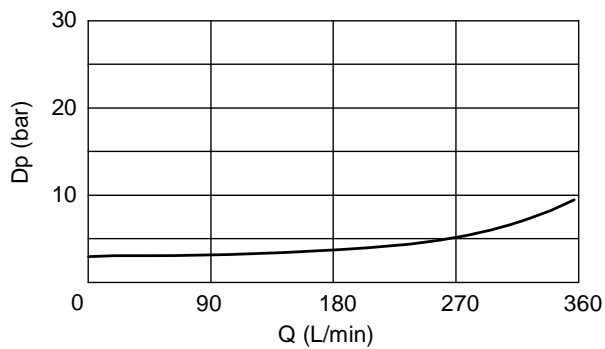
Dimensions



Hydraulic Symbol



Curves



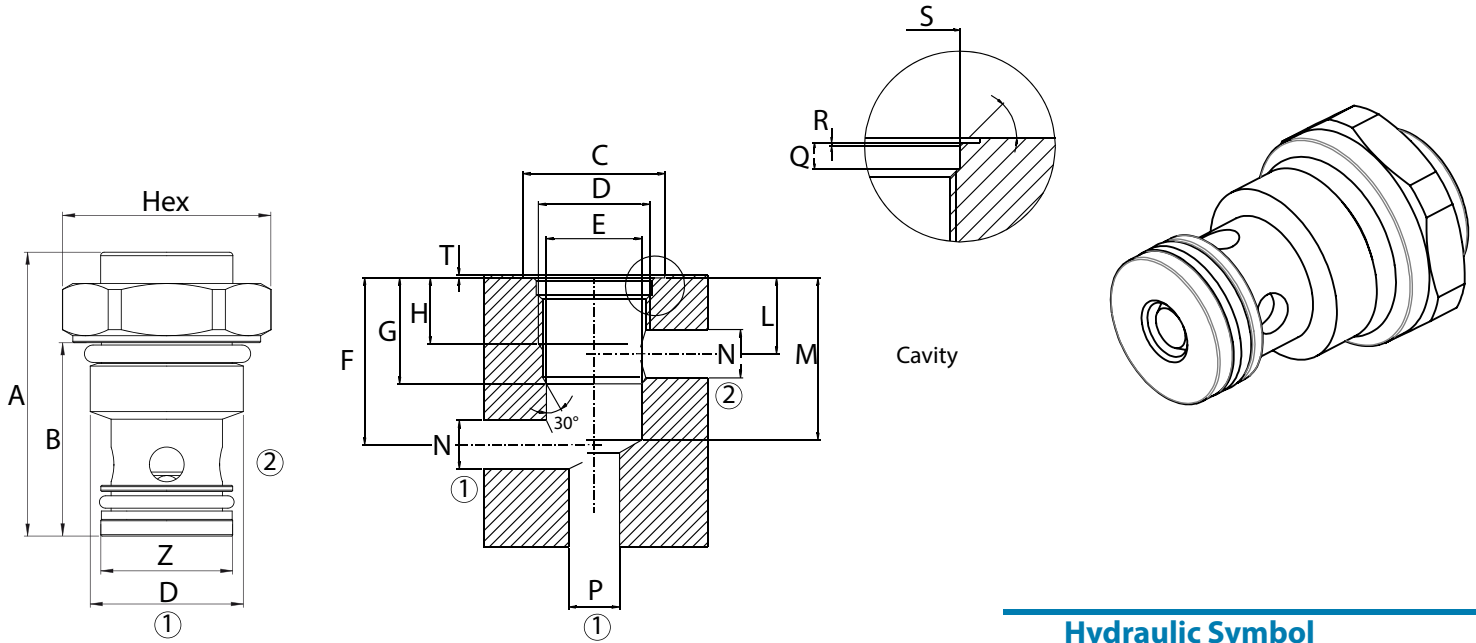
Features

Max Flow	360 lpm
Max Pressure	350 bar
Cracking Pressure	3,5 bar
Installation Torque	125-145 Nm

Ordering Code

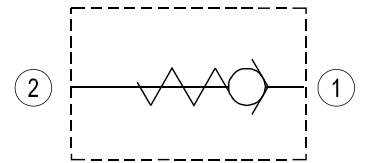
CVC 360

Dimensions

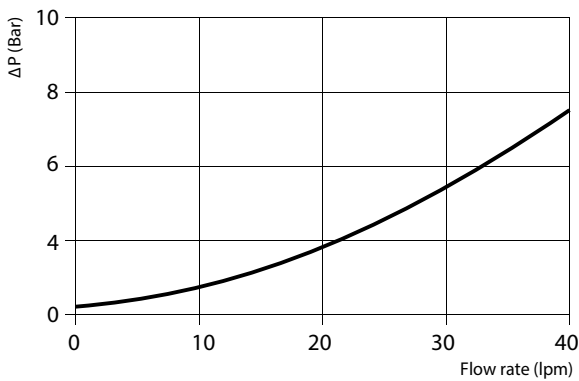


A	B	C	D	E H7	F	G	H	L	M	N max	P max	Q	R	S	T	Z	Hex	Weight kg
34,5	28	28	M22x1,5	Ø19	33	21	13	15	32	9,5	18	3,3	0,5	20,7	0,5	19	27	0,075

Hydraulic Symbol



Curves



Features

Max Flow Rate	40 lpm
Max Pressure	350 bar
Cracking Pressure	0,5 bar
Tightening Torque	50-60 Nm

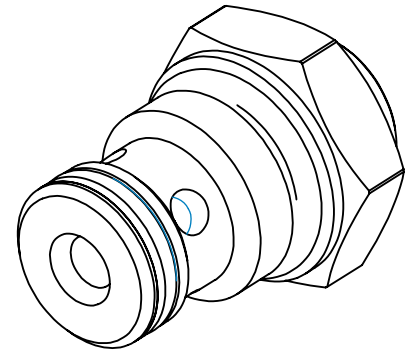
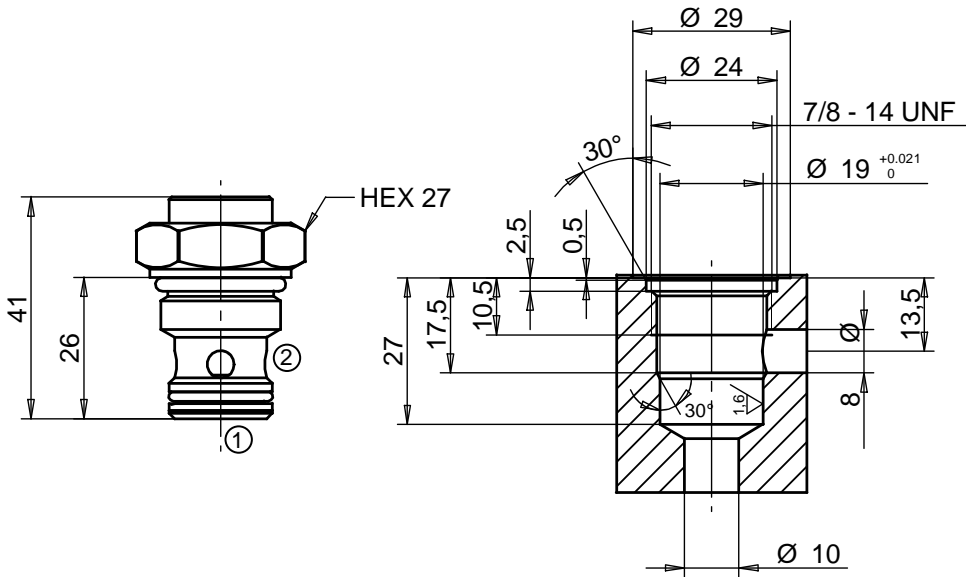
**Materials:** Zinc plated steel cartridge, hardened steel poppet.

Ordering Code

CVC40

Ordering Code Example: CVC40.

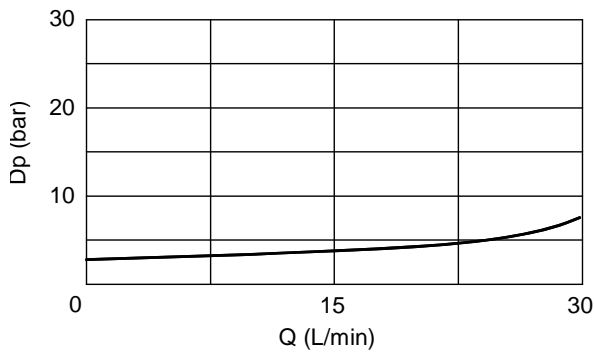
Dimensions



Hydraulic Symbol



Curves



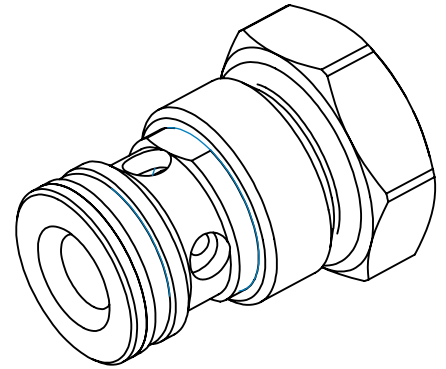
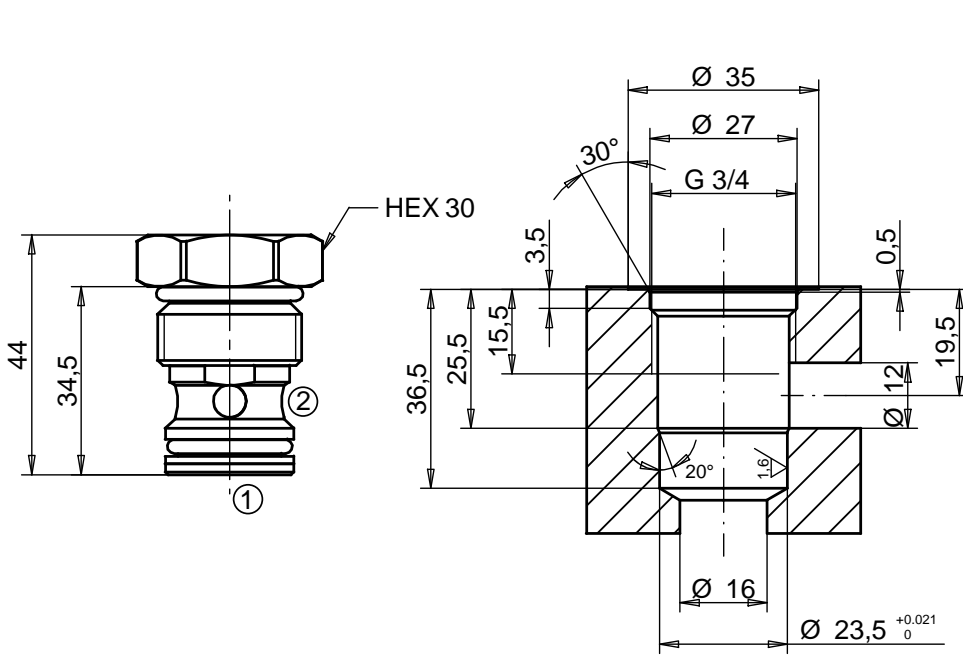
Features

Max Flow	30 lpm
Max Pressure	350 bar
Cracking Pressure	3 bar
Installation Torque	50-55 Nm

Ordering Code

CVC 02

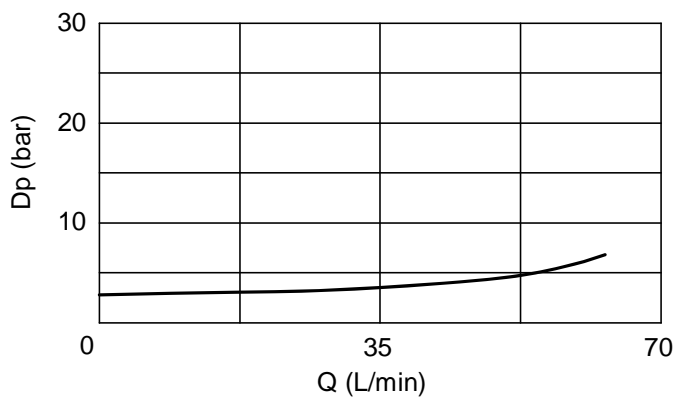
Dimensions



Hydraulic Symbol



Curves



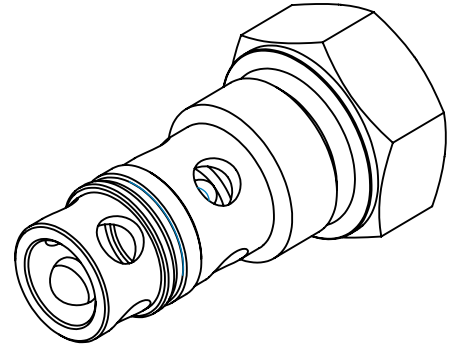
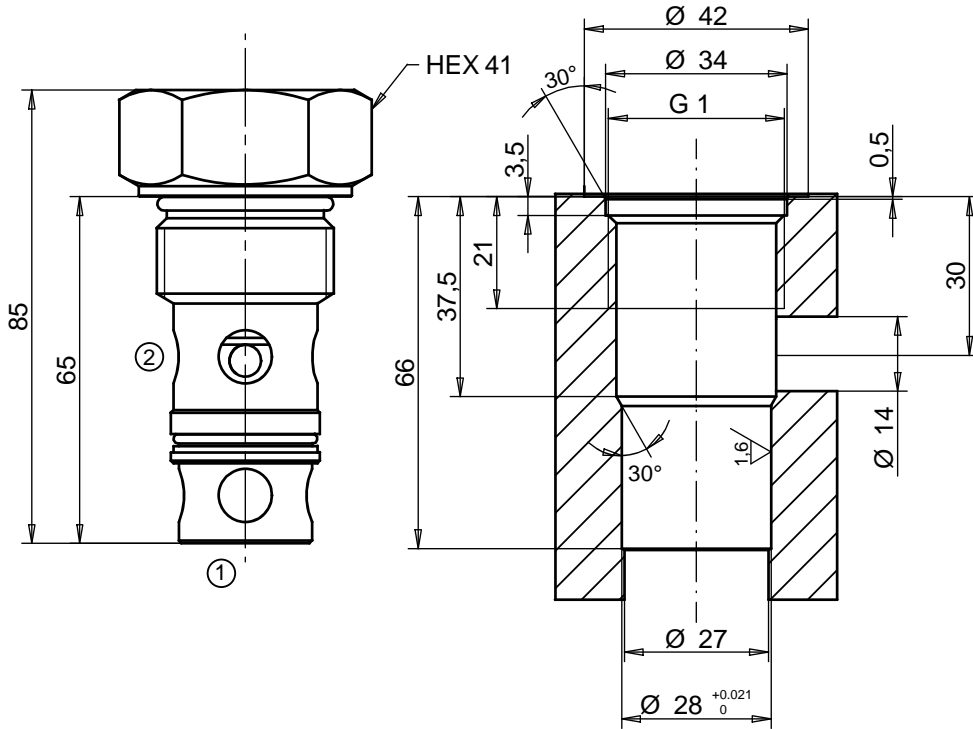
Features

Max Flow	65 lpm
Max Pressure	350 bar
Cracking Pressure	3 bar
Installation Torque	80-100 Nm

Ordering Code

CVC 03

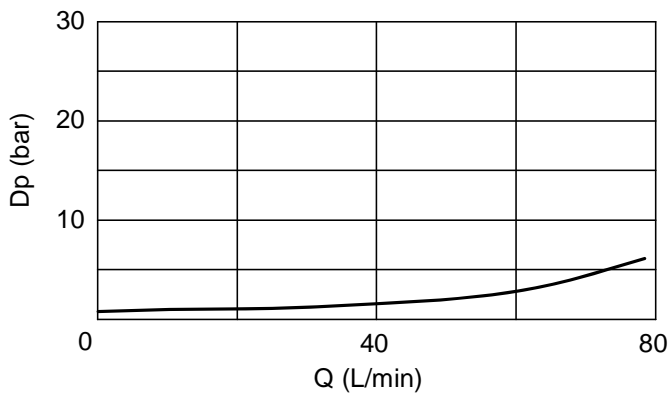
Dimensions



Hydraulic Symbol



Curves



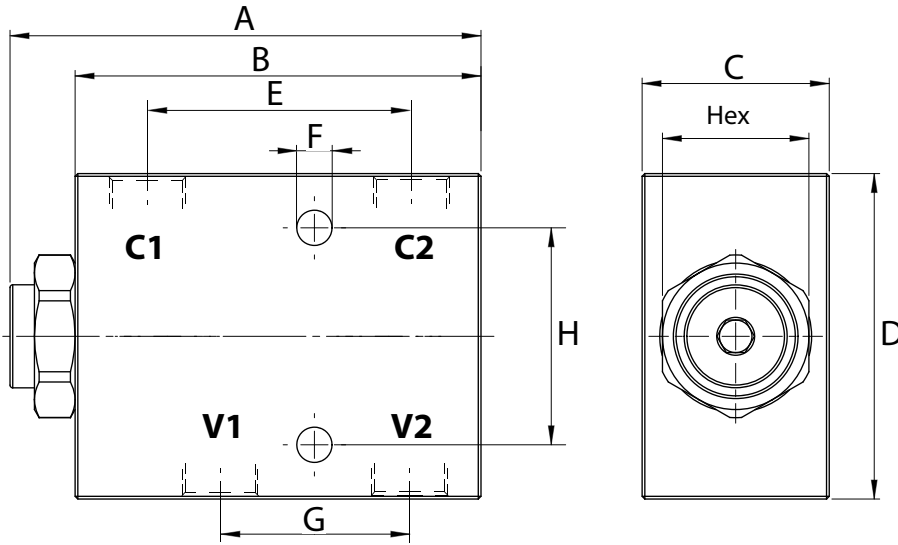
Features

Max Flow	80 lpm
Max Pressure	350 bar
Cracking Pressure	1 bar
Installation Torque	110-125 Nm

Ordering Code

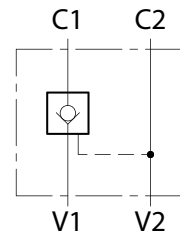
CVC 04

### Dimensions

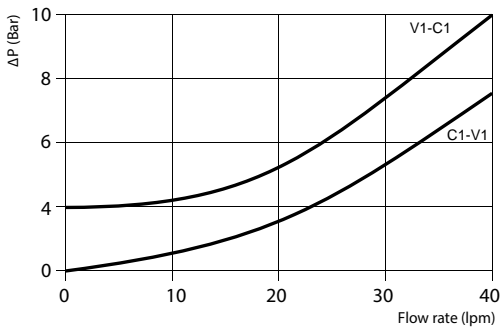


Size	C1-C2 V1-V2 BSP	A	B	C	D	E	F	G	H	Hex	Weight kg
<b>02</b>	3/8	95	83	35	60	49	6,5	32	40	27	0,52
<b>25</b>	1/2	95	83	35	60	49	6,5	32	40	27	0,48

### Hydraulic Symbol



### Curves



### Features

Size	02	25
Max Pressure (bar)	260	260
Max Flow (lpm)	35	35
Pilot Ratio	1:7	1:7
Cracking Pressure (bar)	4	4

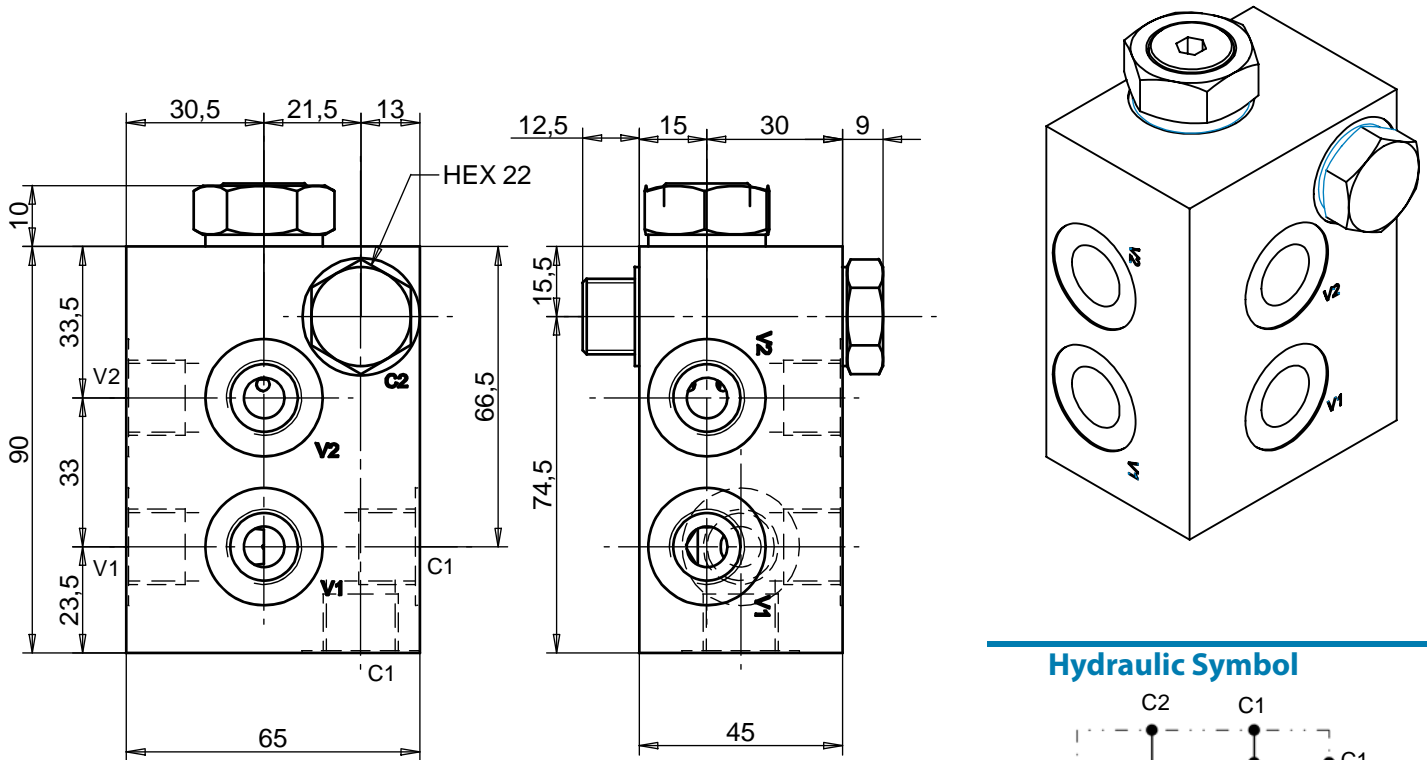
**Materials:** Aluminium manifold, hardened steel inner parts.

### Ordering Code

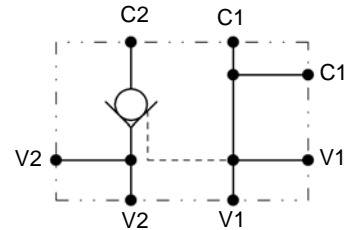
<b>LVSL</b>	<b>--</b>
	<b>Size BSP</b>
<b>02</b>	3/8
<b>25</b>	1/2

**Ordering Code Example:** LVSL02 = 3/8 BSP, 35 lpm.

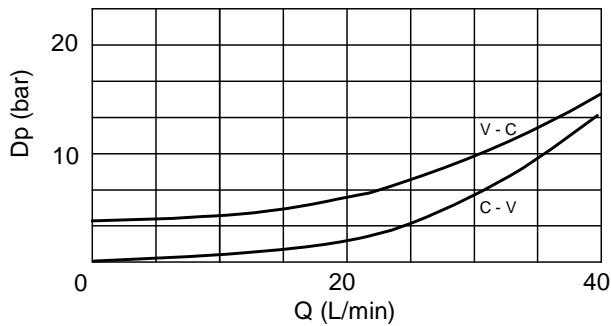
Dimensions



Hydraulic Symbol



Curves



Features

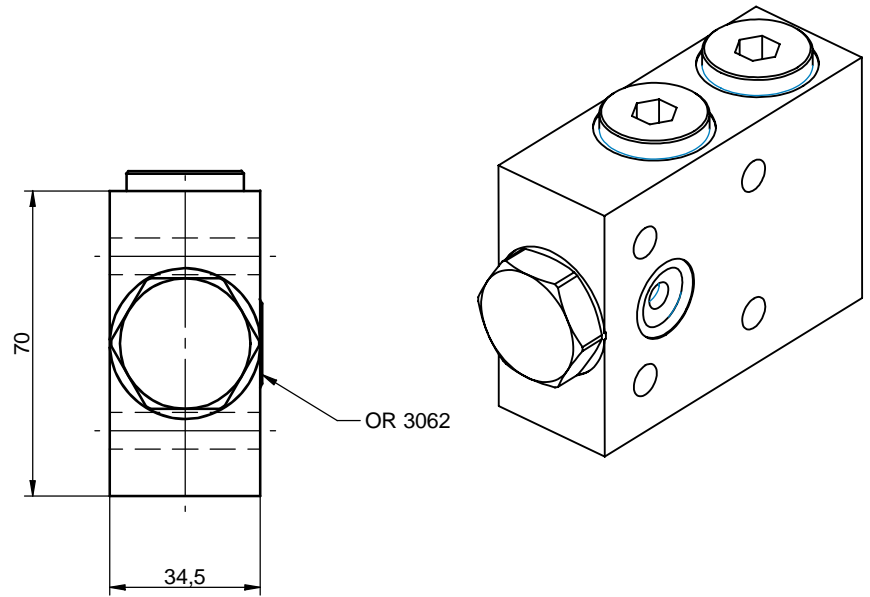
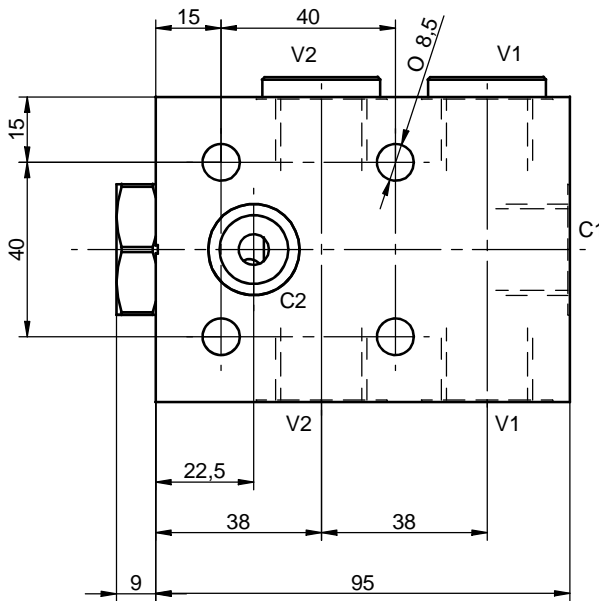
Max Pressure (bar)	350
Max Flow (lpm)	40
Pilot Ratio	3,4:1
Cracking Pressure (bar)	4
Ports	3/8 bsp

**Materials:** Zinc plated steel cartridge, hardened steel inner parts.  
Aluminium manifold.

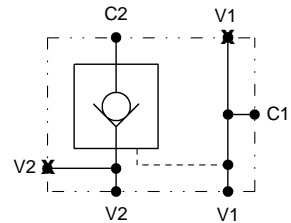
Ordering Code

LVPCF

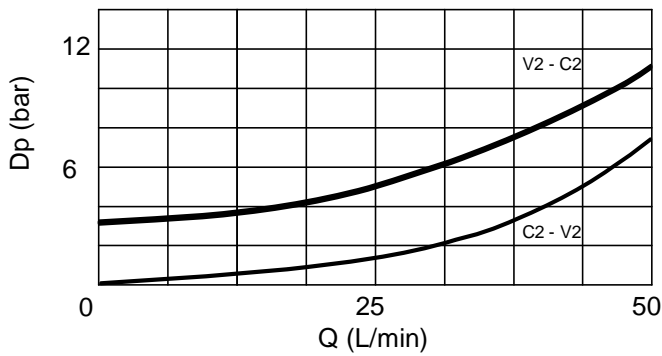
Dimensions



Hydraulic Symbol



Curves



Features

Size	03
Max Pressure (bar)	350
Max Flow	50
Ports Size (v1,v2,c1) (BSP)	1/2
Cracking Pressure (bar)	3
Pilot Ratio	3,2:1

**Materials:** Aluminium manifold, hardened steel inner parts.

Ordering Code

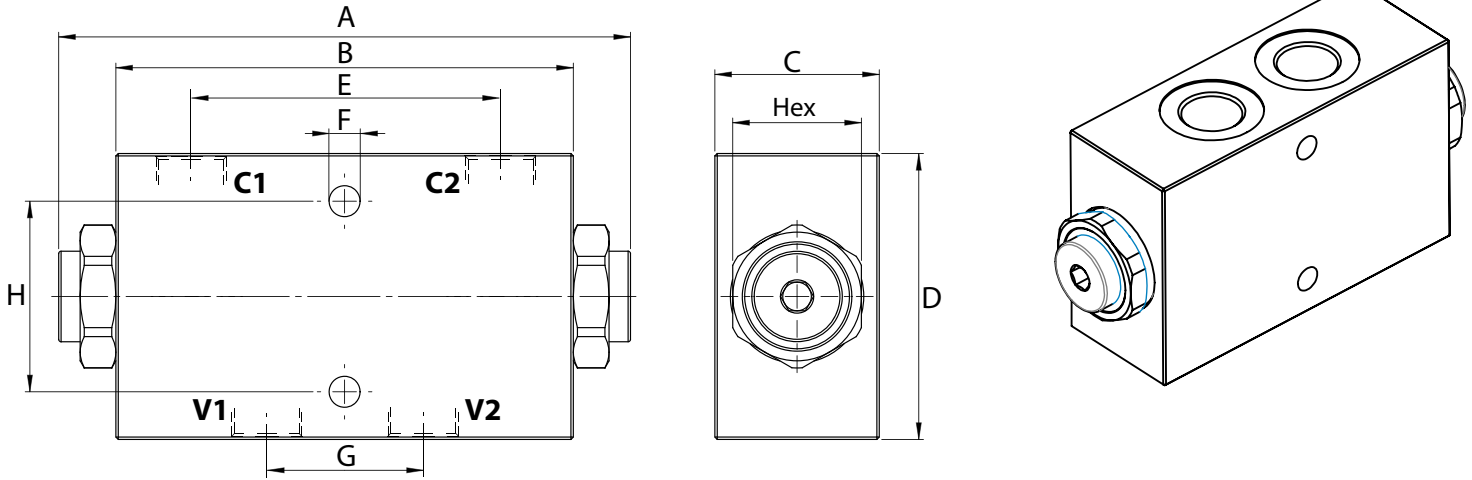
LVSFLR03 -

	Spring (bar)
	3
<b>8</b>	8

Ordering Code Example: LVDFV15 = 3/8 BSP, 20 lpm.

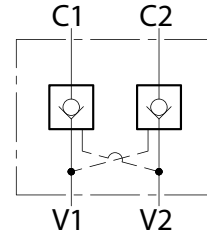


### Dimensions

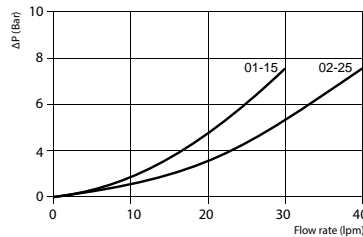
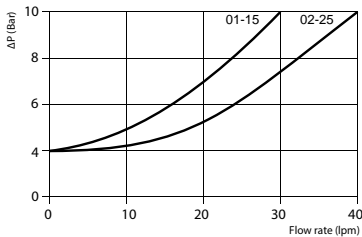
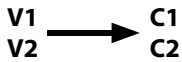


Size	C1-C2 V1-V2 BSP	A	B	C	D	E	F	G	H	Hex	Weight kg
01	1/4	113	90	25	50	62	6,5	32	40	22	0,79
15	3/8	113	90	25	50	62	6,5	32	40	22	0,76
02	3/8	113	96	35	60	62	6,5	32	40	27	0,62
25	1/2	113	96	35	60	62	6,5	32	40	27	0,60
03	1/2	140	110	35	70	69	8,5	34	40	30	0,89
04	3/4	220	165	50	90	105	8,5	50	60	41	2,550

### Hydraulic Symbol



### Curves



### Features

Size	01	15	02	25	03	04
Max Pressure (bar)	260	260	260	260	260	260
Max Flow (lpm)	20	20	35	35	60	100
Pilot Ratio	1:4	1:4	1:7	1:7	1:3,4	1:4
Cracking Pressure (bar)	4	4	4	4	3	8

**Materials:** Aluminium manifold, hardened steel inner parts.

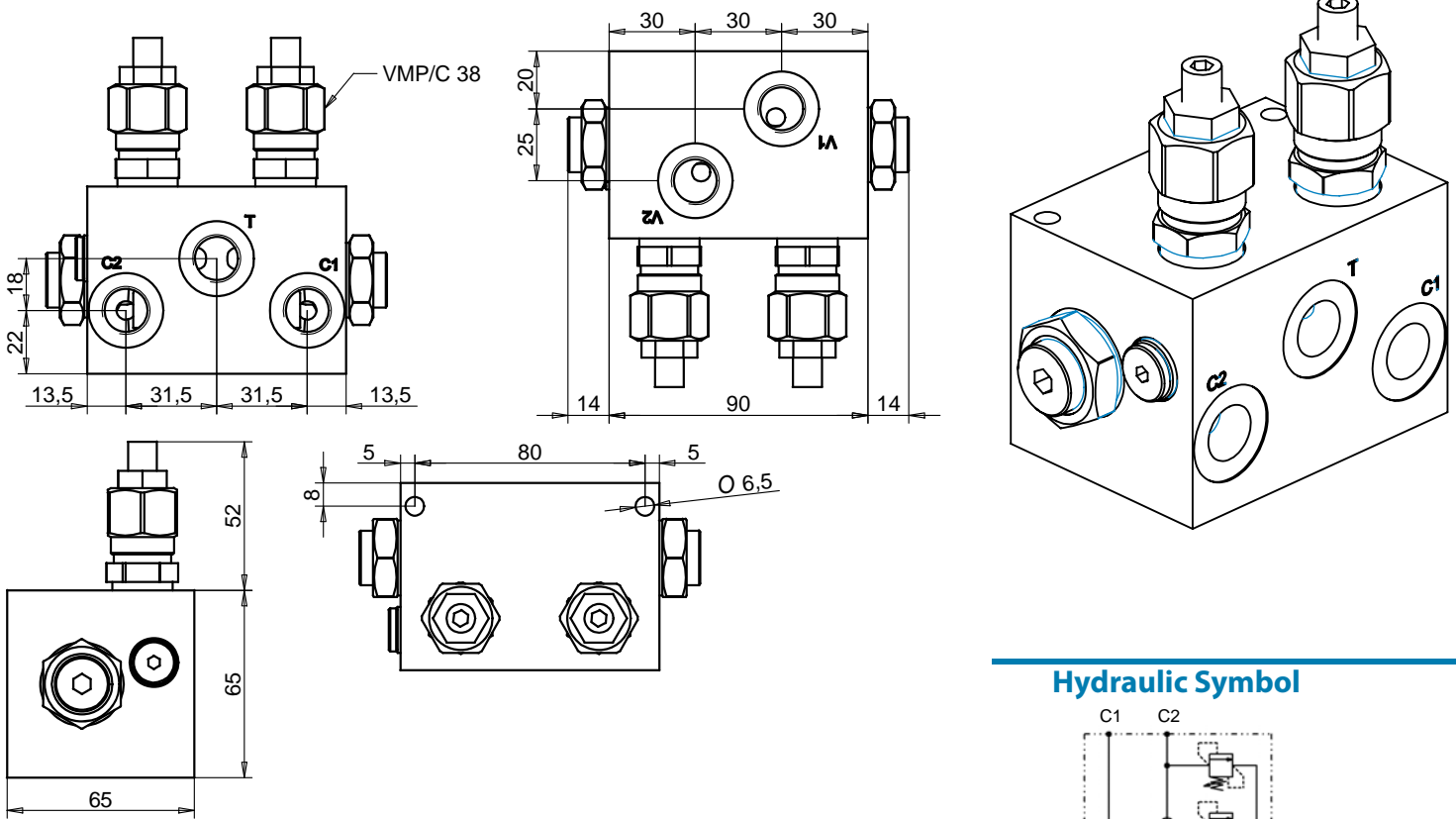
### Ordering Code

**LVDL**    **--**

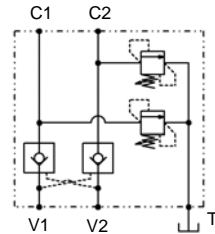
	Size BSP
<b>01</b>	1/4
<b>15</b>	3/8
<b>02</b>	3/8
<b>25</b>	1/2
<b>03</b>	1/2
<b>04</b>	3/4

**Ordering Code Example:** LVDL15 = 3/8 BSP, 20 lpm.

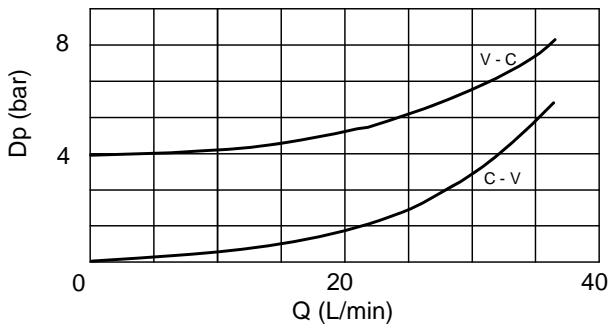
## Dimensions



## Hydraulic Symbol



## Curves



**Materials:** Aluminium

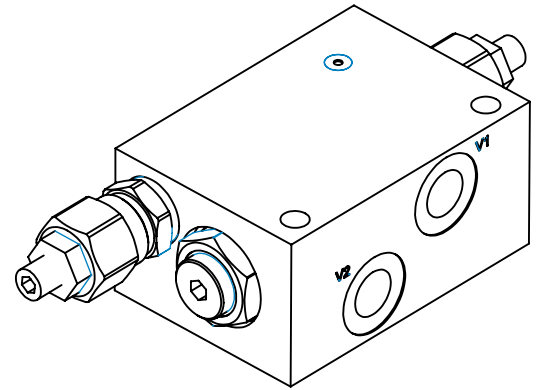
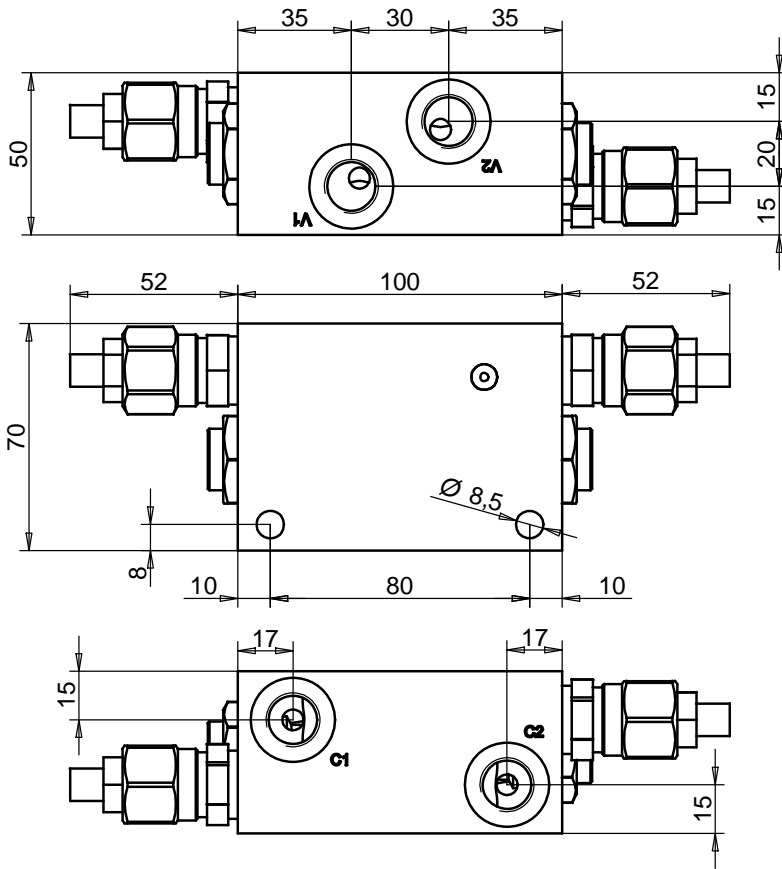
## Features

Size	02
Max Pressure (bar)	250
Max Flow (lpm)	35
Pilot Ratio	7.1:1
Cracking Pressure (bar)	3
Ports	V1-V2: G 3/8 C1-C2: G 3/8

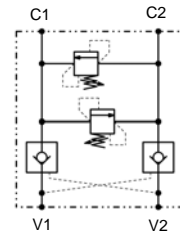
## Ordering Code

**LVDLPT 02**

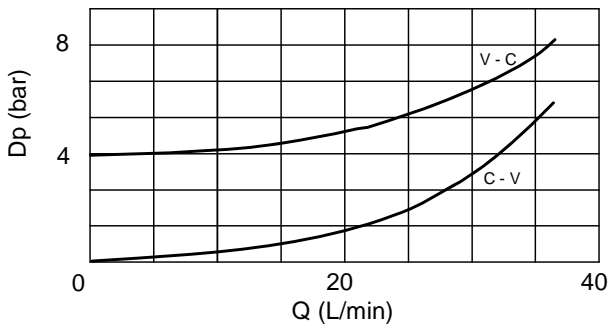
## Dimensions



## Hydraulic Symbol



## Curves



**Materials:** Zinc plated steel body.

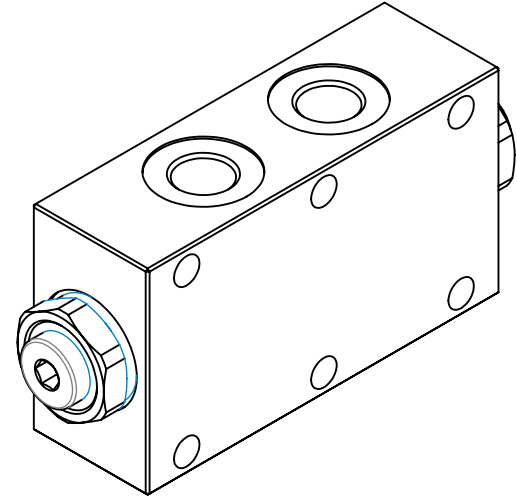
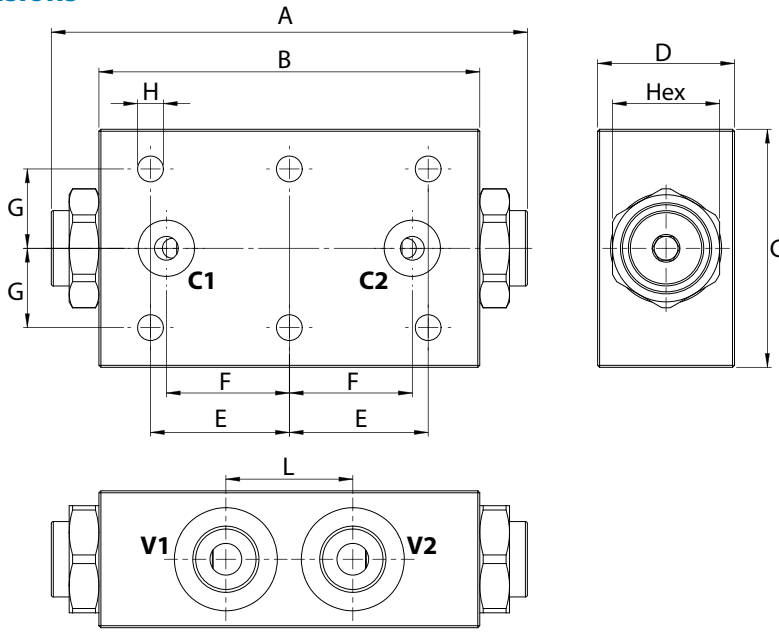
## Features

Size	02
Max Pressure (bar)	250
Max Flow (lpm)	40
Pilot Ratio	7.1:1
Cracking Pressure (bar)	3
Ports	V1-V2: G 3/8 C1-C2: G 3/8

## Ordering Code

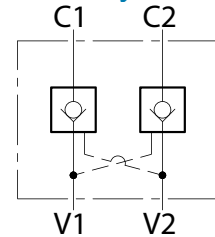
**LVDLP 02**

### Dimensions



Size	V1-V2 BSP	A	B	C	C1-C2	D	E	F	G	H	L	Hex	Weight kg
01	1/4	113	90	50	Ø 5	30	35	26	20	6,5	32	22	0,43
15	3/8	113	90	50	Ø 5	30	35	26	20	6,5	32	22	0,43
02	3/8	113	96	60	Ø 6	35	35	31	20	6,5	32	27	0,60
25	1/2	113	96	60	Ø 6	35	35	31	20	6,5	32	27	0,60
03	1/2	140	110	70	Ø 10	35	40	32,5	20	8,5	34	30	0,89
04	3/4	220	165	90	Ø 14	50	67,5	52,5	25	10,5	50	41	2,50

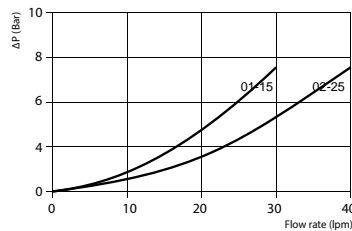
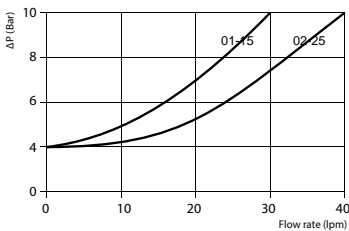
### Hydraulic Symbol



### Curves

V1 → C1  
V2 → C2

C1 → V1  
C2 → V2



### Features

Size	01	15	02	25	03	04
Max Pressure (bar)	260	260	260	260	260	260
Max Flow (lpm)	20	20	35	35	60	100
Pilot Ratio	1:4	1:4	1:7	1:7	1:3,4	1:4
Cracking Pressure (bar)	4	4	4	4	3	8

**Materials:** Aluminium manifold, hardened steel inner parts.

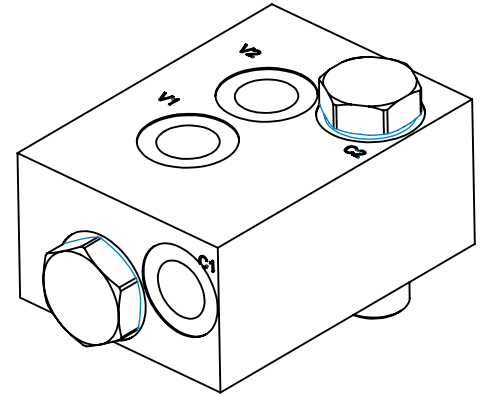
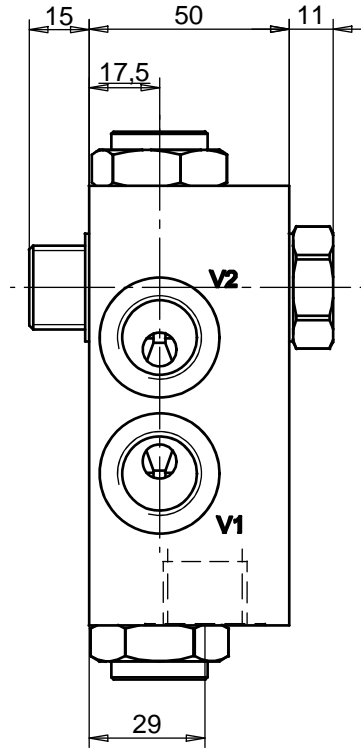
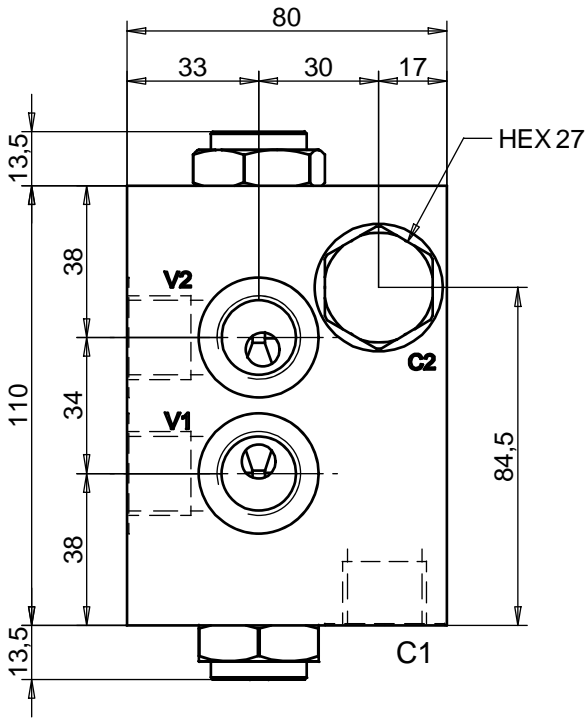
### Ordering Code

**LVDF**    **--**

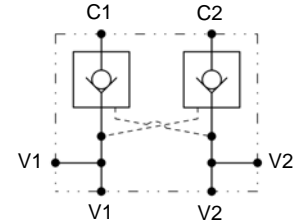
	Size BSP
<b>01</b>	1/4
<b>15</b>	3/8
<b>02</b>	3/8
<b>25</b>	1/2
<b>03</b>	1/2
<b>04</b>	3/4

**Ordering Code Example:** LVDFV15 = 3/8 BSP, 20 lpm.

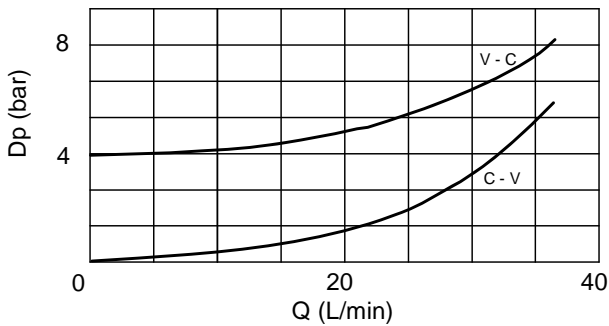
### Dimensions



### Hydraulic Symbol



### Curves



**Materials:** Zinc plated steel cartridge, hardened steel inner parts.  
Aluminium manifold.

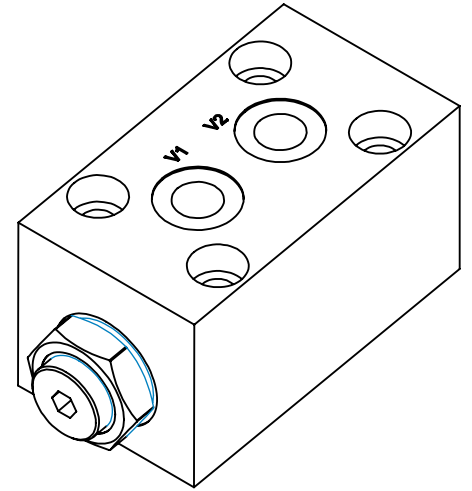
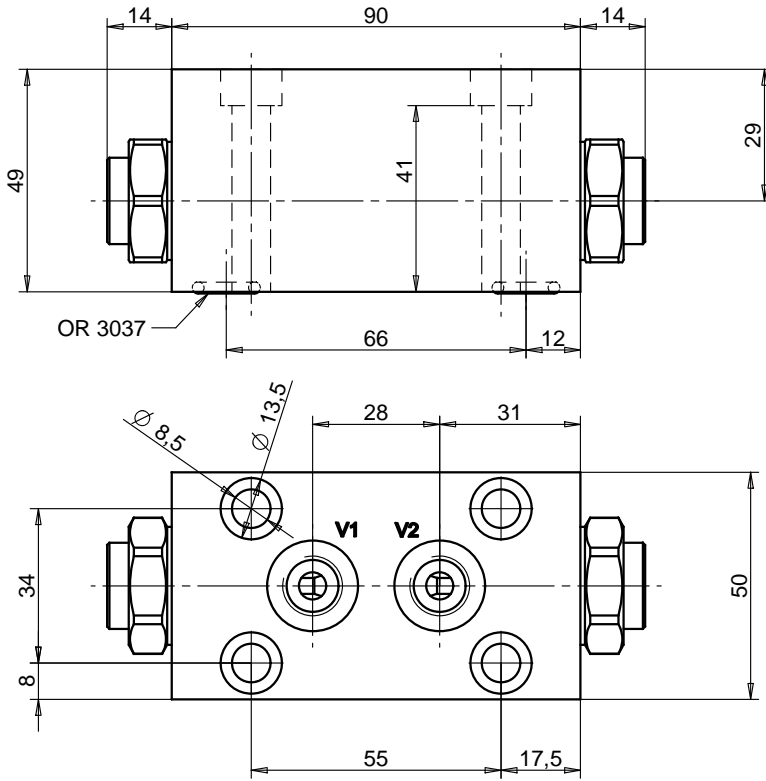
### Features

Size	03
Max Pressure (bar)	350
Max Flow (lpm)	40
Pilot Ratio	4:1
Cracking Pressure (bar)	3
Ports	V1-V2-C1: 1/2 bsp C2: 1/2 bsp

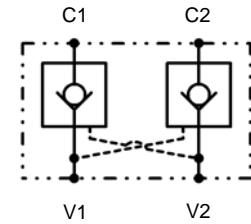
### Ordering Code

**LVDFLN 03**

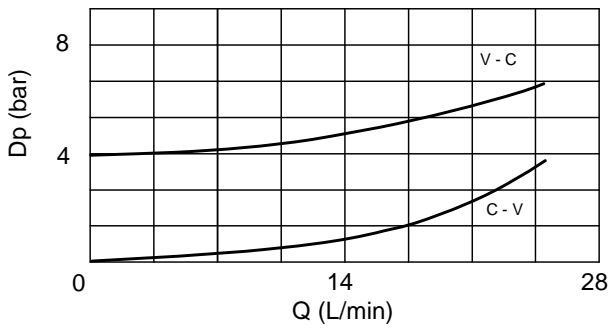
**Dimensions**



**Hydraulic Symbol**



**Curves**



**Materials:** Aluminium

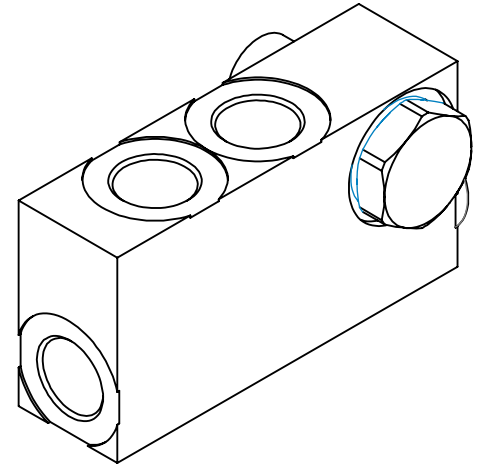
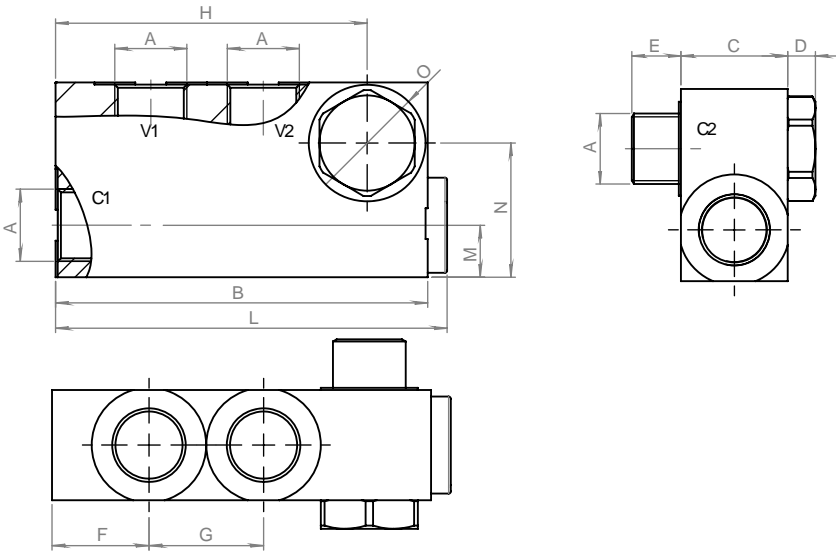
**Features**

Size	01
Max Pressure (bar)	250
Max Flow (lpm)	25
Pilot Ratio	4.7:1
Cracking Pressure (bar)	3
Ports	V1-V2: G 1/4 C1 - C2: Ø6

**Ordering Code**

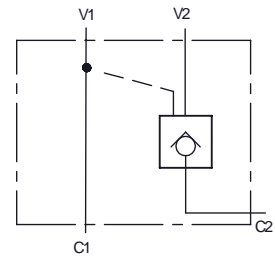
**LVDFP 01**

### Dimensions

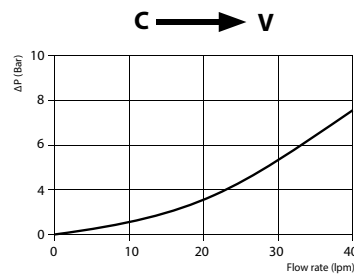
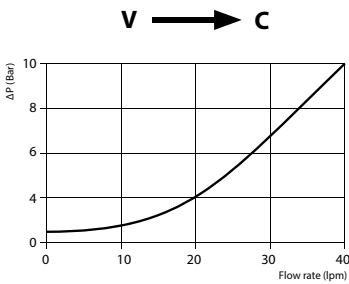


Ordering code	A (BSP)	Max Flow (l/min)	Max Pressure (bar)	B	C	D	E	F	G	H	L	M	N	O
<b>LVSLFB02</b>	3/8"	20	300	86	25	7	11	22	26	72	90.5	12	31	27

### Hydraulic Symbol



### Curves



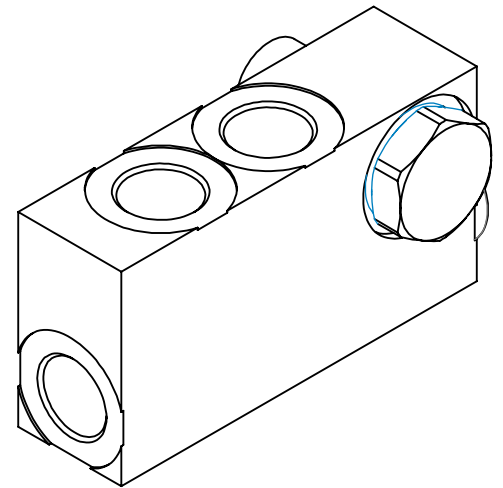
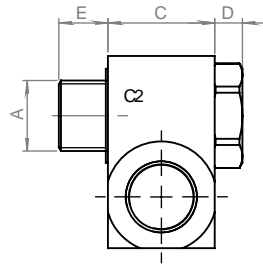
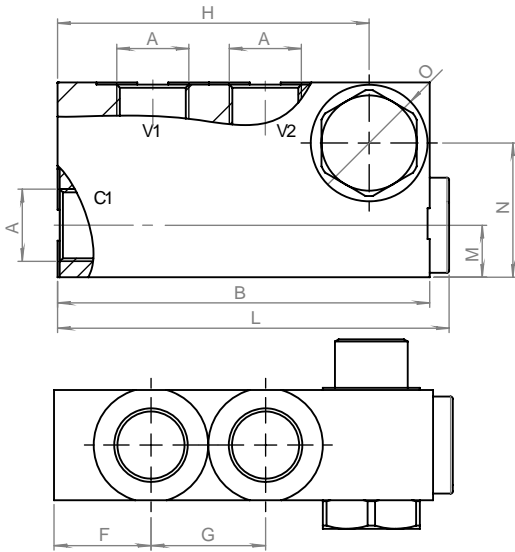
### Features

Size	02
Max Pressure (bar)	300
Max Flow (lpm)	20
Pilot Ratio	1:4,9
Cracking Pressure (bar)	1

### Ordering Code

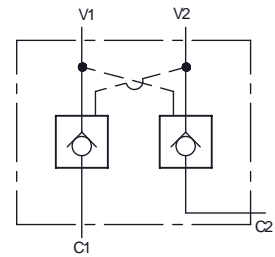
<b>LVSLFB</b>		--
Size BSP		
<b>02</b>		3/8

### Dimensions

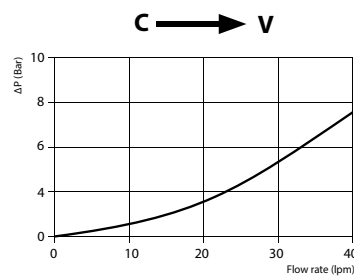
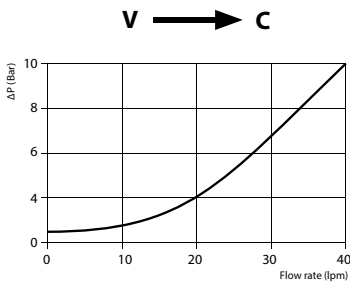


Ordering code	A (BSP)	Max Flow (l/min)	Max Pressure (bar)	B	C	D	E	F	G	H	L	M	N	O
<b>LVDLFB02</b>	3/8"	20	300	86	25	7	11	22	26	72	90.5	12	31	27

### Hydraulic Symbol



### Curves



### Features

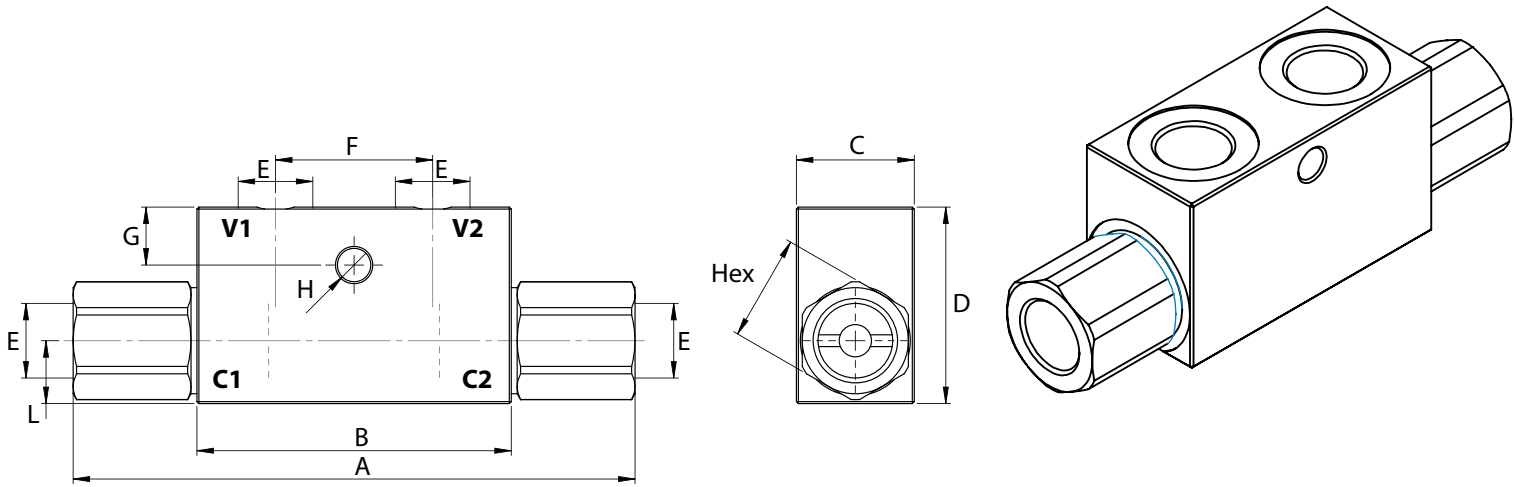
Size	02
Max Pressure (bar)	300
Max Flow (lpm)	20
Pilot Ratio	1:4,9
Cracking Pressure (bar)	1

### Ordering Code

LVDLFB		--
Size BSP		
02		3/8

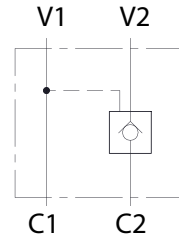


Dimensions

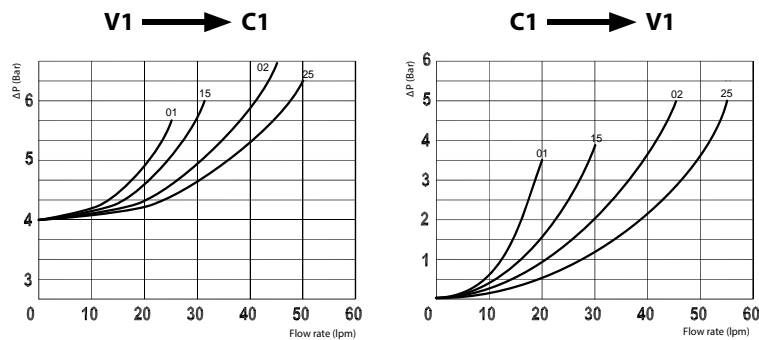


Size	A	B	C	D	E BSP	F	G	H	L	Hex	Weight kg
01	117	68	30	40	1/4	38	7	7	13	24	0,67
15	117	68	30	40	3/8	38	7	7	13	24	0,63
02	143	80	30	50	3/8	40	15	8,5	16	27	0,96
25	143	80	30	50	1/2	40	15	8,5	16	27	0,89

Hydraulic Symbol



Curves



Features

Size	01	15	02	25
Max Pressure (bar)	350	350	300	300
Max Flow (lpm)	25	30	45	50
Pilot Ratio	1:4.6	1:4.6	1:4	1:4
Cracking Pressure (bar)	4	4	4	4

Materials: Zinc plated steel body, hardened steel inner parts.

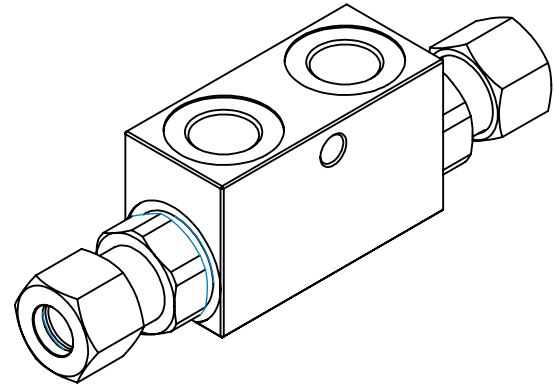
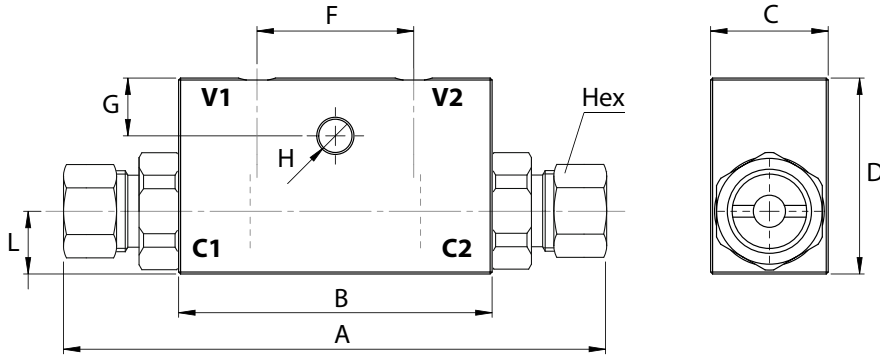
Ordering Code

LVST - -

	Size BSP
01	1/4
15	3/8
02	3/8
25	1/2

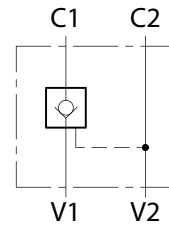
Ordering Code Example: LVST15 = 3/8 BSP, 30 lpm.

### Dimensions

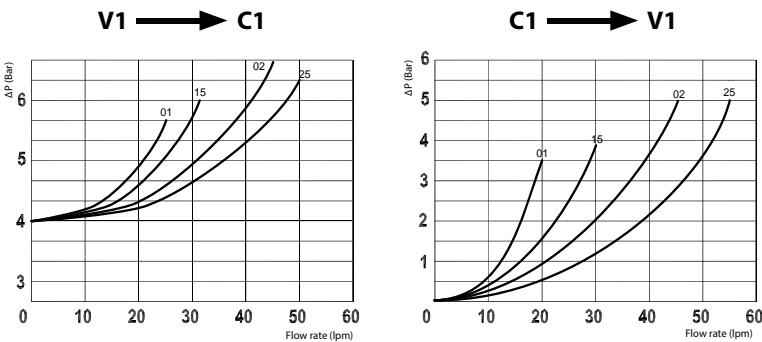


Size	A	B	C	D	V1-V2 BSP	C1-C2	F	G	H	L	Hex	Weight kg
<b>01</b>	138	68	30	40	1/4	12	38	7	7	13	22	0,65
<b>15</b>	138	68	30	40	3/8	12	38	7	7	13	22	0,62
<b>02</b>	166	80	30	50	3/8	15	40	15	8,5	16	27	0,95
<b>25</b>	166	80	30	50	1/2	15	40	15	8,5	16	27	0,90

### Hydraulic Symbol



### Curves



### Features

Size	01	15	02	25
<b>Max Pressure (bar)</b>	350	350	300	300
<b>Max Flow (lpm)</b>	25	30	45	50
<b>Pilot Ratio</b>	1:4.6	1:4.6	1:4	1:4
<b>Cracking Pressure (bar)</b>	4	4	4	4

**Materials:** Zinc plated steel body, hardened steel inner parts.

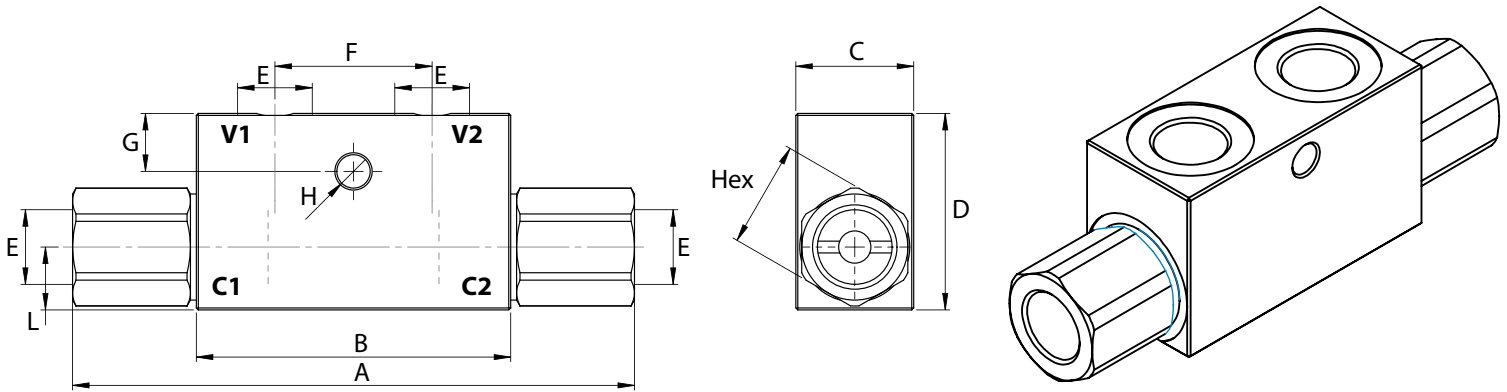
### Ordering Code

**LVST-DIN**    - -

	Size BSP
<b>01</b>	1/4
<b>15</b>	3/8
<b>02</b>	3/8
<b>25</b>	1/2

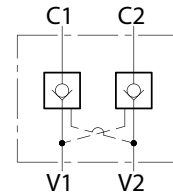
**Ordering Code Example:** LVST-DIN15 = 3/8 BSP - DIN2353 12l ported, 30 lpm.

### Dimensions

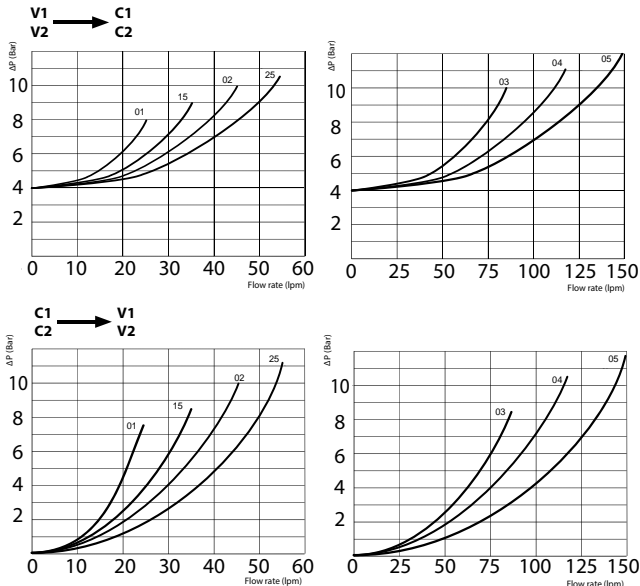


Size	A	B	C	D	E BSP	F	G	H	L	Hex	Weight kg
01	117	68	30	40	1/4	38	7	7	13	24	0,67
15	117	68	30	40	3/8	38	7	7	13	24	0,63
02	143	80	30	50	3/8	40	15	8,5	16	27	0,96
25	143	80	30	50	1/2	40	15	8,5	16	27	0,89
03	144	80	35	50	1/2	36	15	6,5	16	27	1,07
04	192	100	40	60	3/4	50	15	8,5	22	36	1,90
05	232	112	50	70	1	58	17	8,5	25	42	3,10

### Hydraulic Symbol



### Curves



### Features

Size	01	15	02	25	03	04	05
Max Pressure (bar)	350	350	300	300	300	300	300
Max Flow (lpm)	25	30	45	50	80	120	150
Pilot Ratio	1:4,6	1:4,6	1:4	1:4	1:4	1:3,5	1:3,4
Cracking Pressure (bar)	4	4	4	4	4	4	4

**Materials:** Zinc plated steel body, hardened steel inner parts.

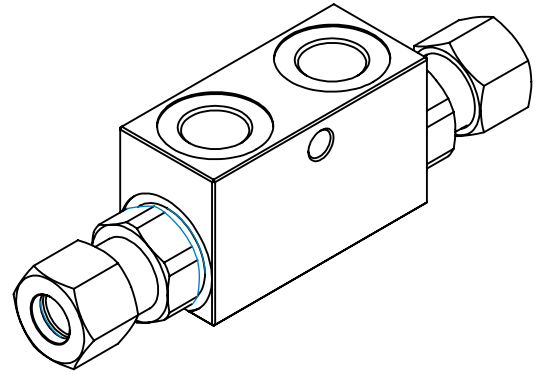
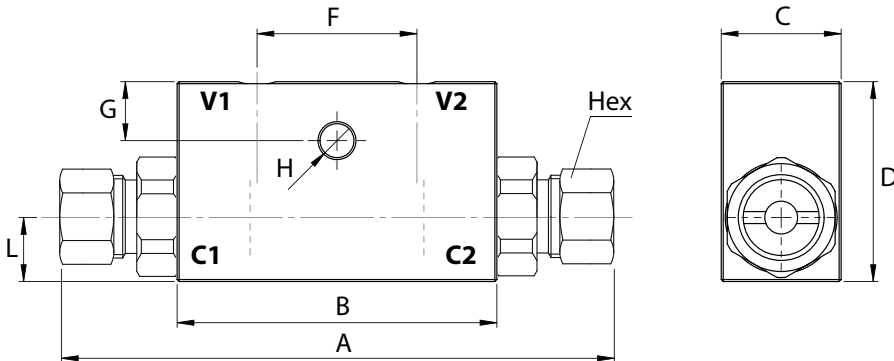
### Ordering Code

**LVDT**    **--**

	Size BSP
01	1/4
15	3/8
02	3/8
25	1/2
03	1/2
04	3/4
05	1

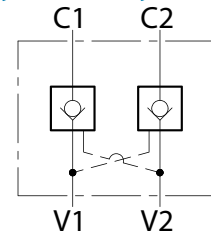
**Ordering Code Example:** LVDT15 = 3/8 BSP, 30 lpm.

### Dimensions

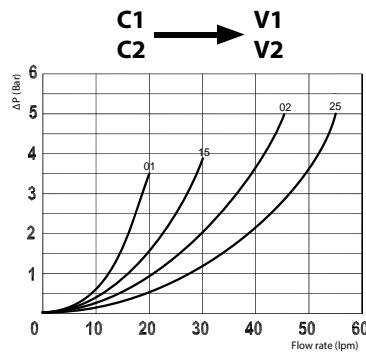
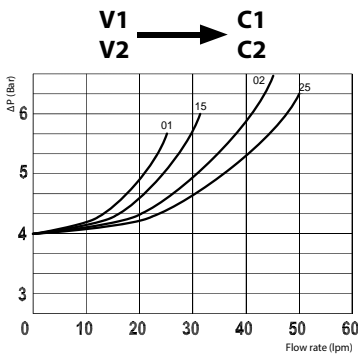


Size	A	B	C	D	V1-V2 BSP	C1-C2	F	G	H	L	Hex	Weight kg
01	138	68	30	40	1/4	12	38	7	7	13	22	0,65
15	138	68	30	40	3/8	12	38	7	7	13	22	0,62
02	138	80	30	50	3/8	15	40	15	8,5	16	27	0,95
25	138	80	30	50	1/2	15	40	15	8,5	16	27	0,90

### Hydraulic Symbol



### Curves



### Features

Size	01	15	02	25
Max Pressure (bar)	350	350	300	300
Max Flow (lpm)	25	30	45	50
Pilot Ratio	1:4.6	1:4.6	1:4	1:4
Cracking Pressure (bar)	4	4	4	4

**Materials:** Zinc plated steel body, hardened steel inner parts.

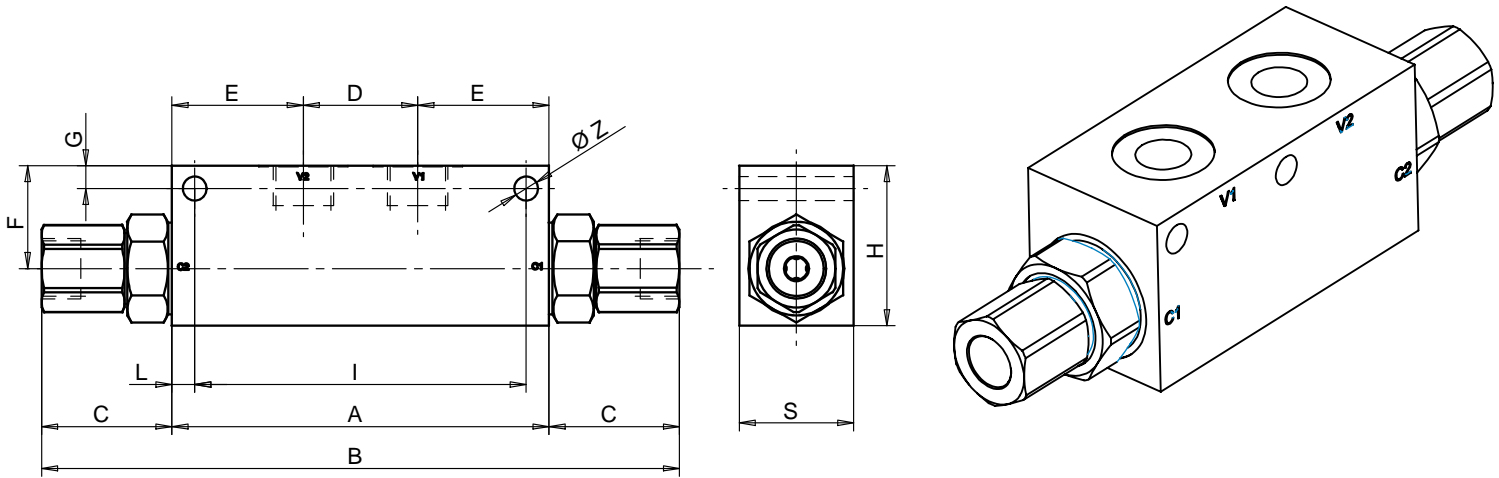
### Ordering Code

**LVDT-DIN**    - -

	Size BSP
<b>01</b>	1/4
<b>15</b>	3/8
<b>02</b>	3/8
<b>25</b>	1/2

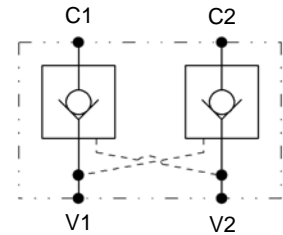
**Ordering Code Example:** LVDT-DIN15 = 3/8 BSP - DIN2353 12L ported, 30 lpm.

### Dimensions

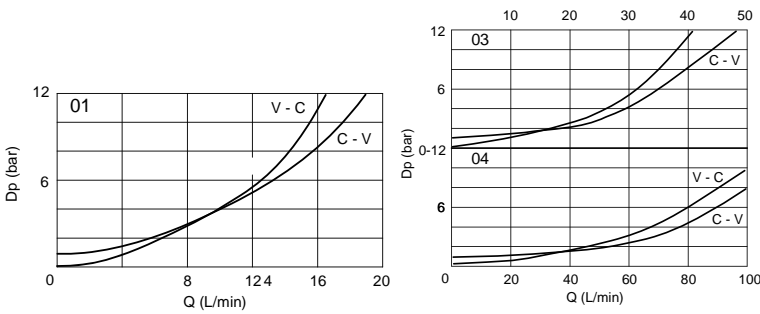


Size	V1-V2 C1-C2	A	B	C	D	E	F	G	H	I	L	S	Z
01	G 1/4	80	145	32,5	36	22	24	6	40	34	6	35	6,5
03	G 1/2	110	187	38,5	34	38	32	8	50	94	8	35	8,5
04	G 3/4	165	279	57	50	57,5	45	10	70	145	10	50	10,5

### Hydraulic Symbol



### Curves



### Features

Max Pressure (bar)	350	
Max Flow (lpm)	100	
Pilot Ratio	Size	
	01	9:1
	03	6:1
	04	3,6:1

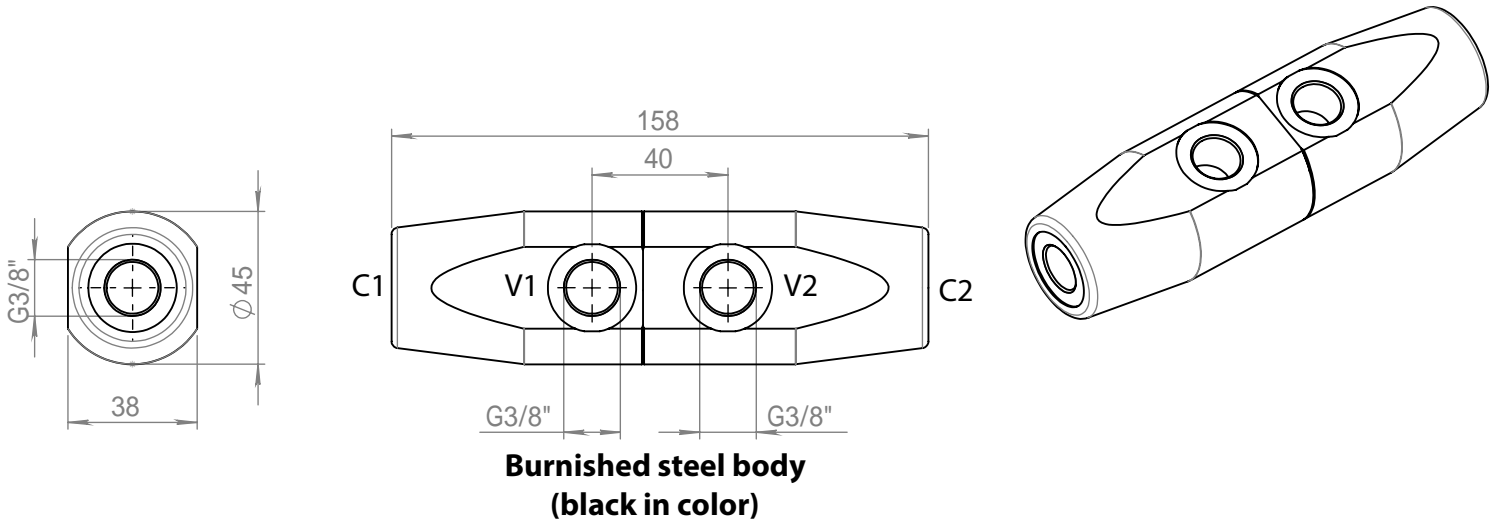
**Materials:** Zinc plated steel cartridge, hardened steel inner parts. Aluminium manifold.

### Ordering Code

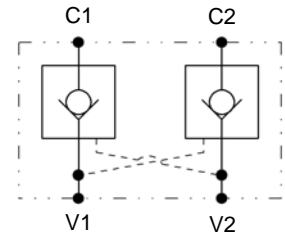
**LVDTOC** - -

	Size BSP
01	1/4
03	1/2
04	3/4

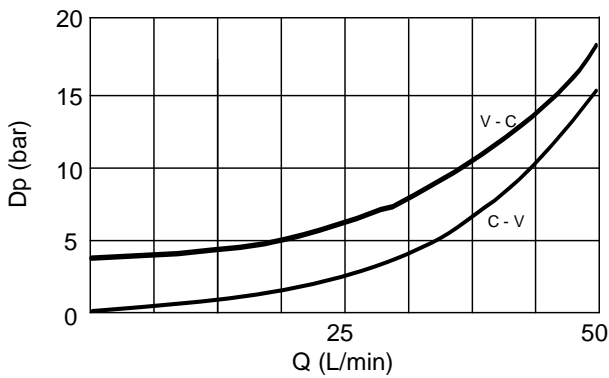
## Dimensions



## Hydraulic Symbol



## Curves



## Features

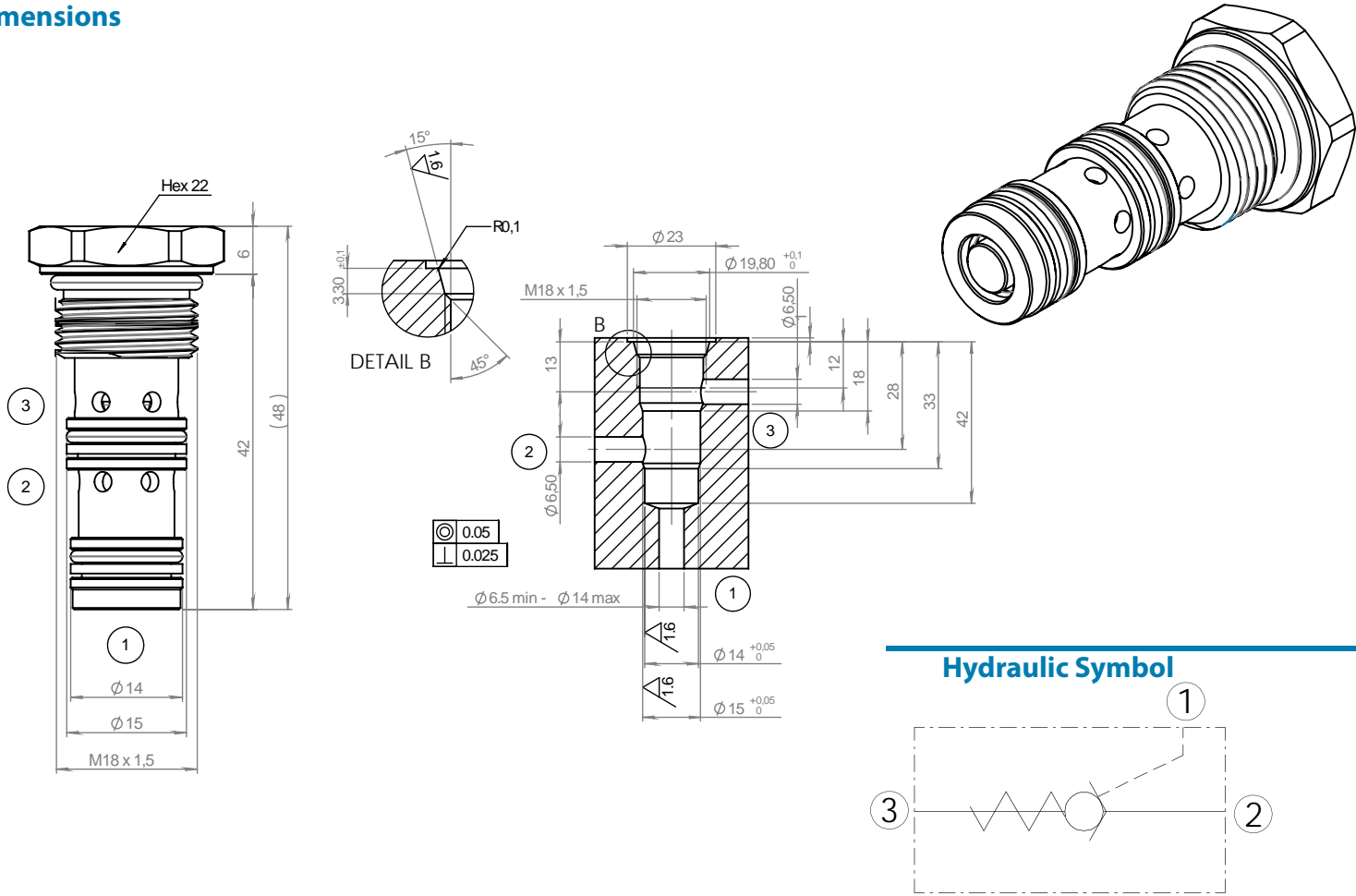
<b>Max Pressure (bar)</b>	350
<b>Max Flow (lpm)</b>	45
<b>Pilot Ratio</b>	4,5:1
<b>Cracking Pressure (bar)</b>	5
<b>Ports</b>	V1-V2: G 3/8 C1-C2: G 3/8

**Materials:** Burnished steel body, hardened steel inner parts.

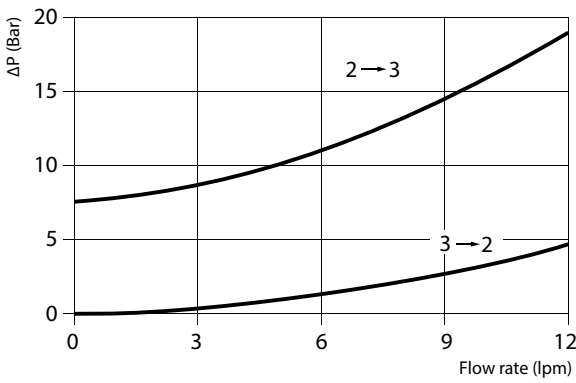
## Ordering Code

**LVDRK02**

Dimensions



Curves



Features

Rated Flow	12 lpm
Max Pressure	210 bar
Pilot Ratio	3,2:1
Cracking Pressure	4 bar
Installation Torque	34 - 40 Nm
Weight	0,06 kg

Materials: Zinc plated steel cartridge, hardened steel inner parts.

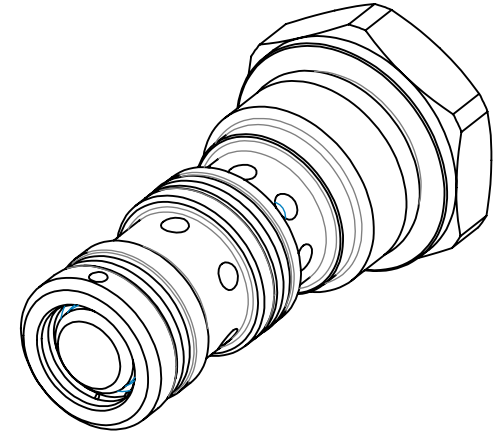
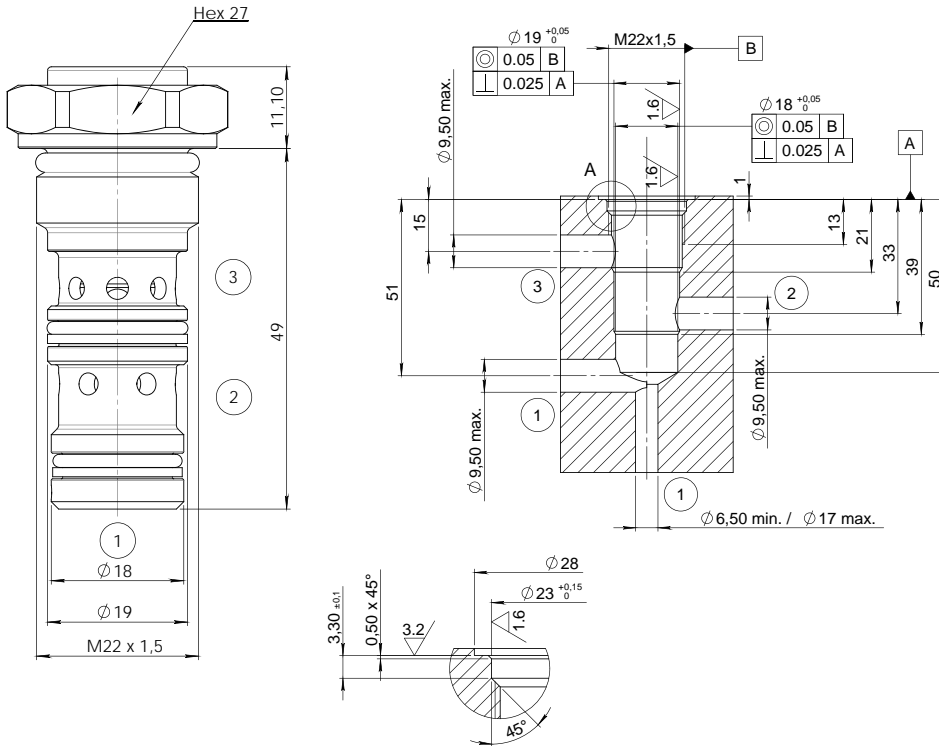
Ordering Code

LVPC 04 -

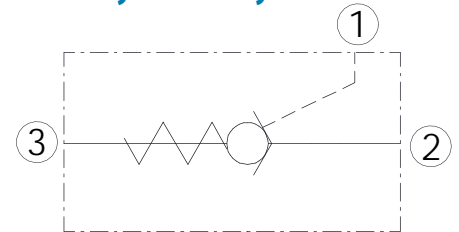
Spring (bar)	
	4
<b>8</b>	8

Ordering Code Example: LVPC04 - 4 bar Cracking Pressure.

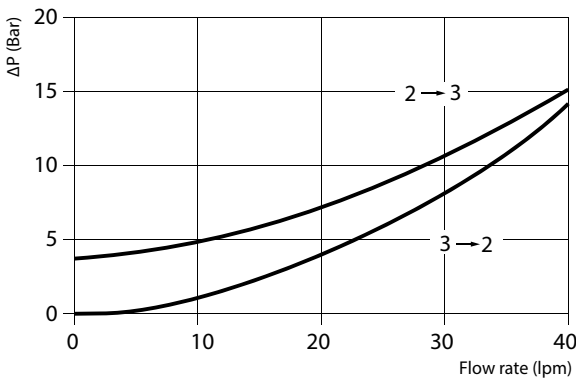
**Dimensions**



**Hydraulic Symbol**



**Curves**



**Features**

<b>Rated Flow</b>	25 lpm
<b>Max Pressure</b>	315 bar
<b>Pilot Ratio</b>	3,4:1
<b>Cracking Pressure</b>	4 bar
<b>Installation Torque</b>	45-50 Nm
<b>Weight</b>	0,1 kg

**Materials:** Zinc plated steel cartridge, hardened steel inner parts.

**Ordering Code**

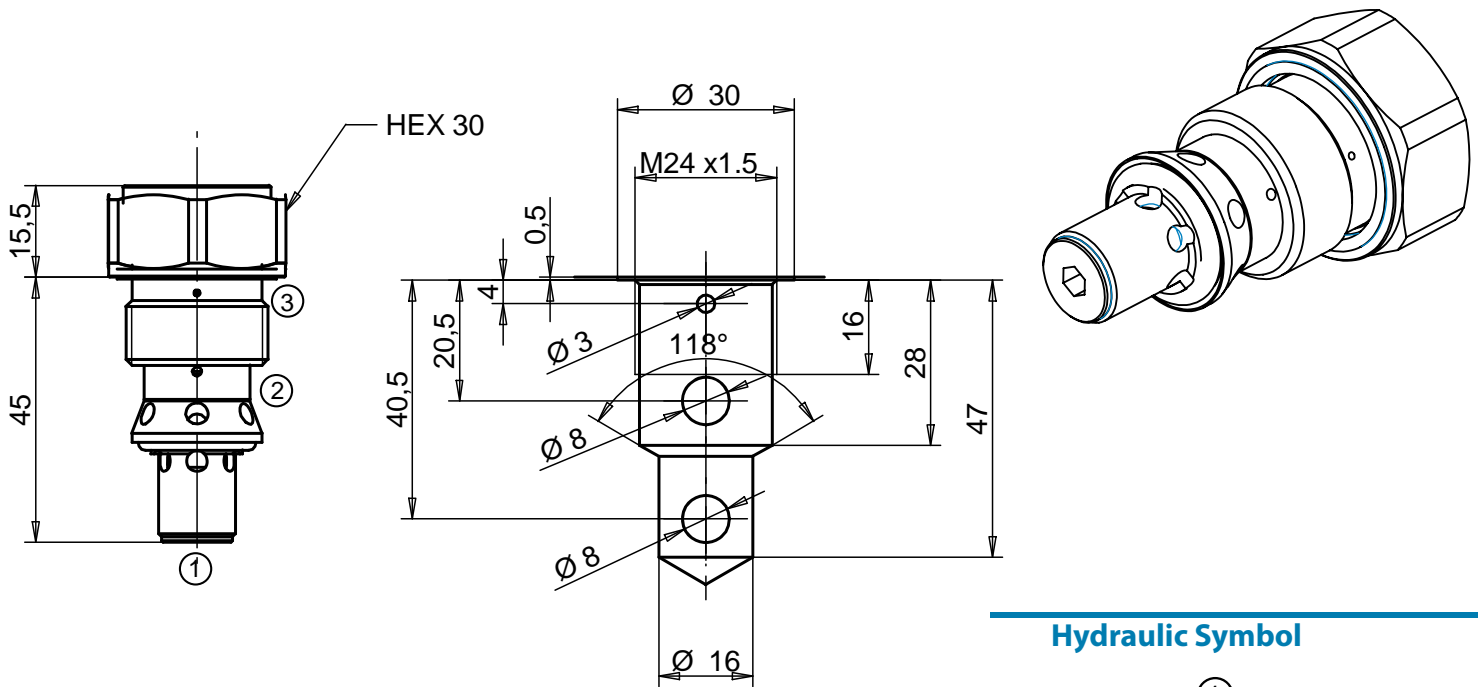
**LVPC 06** -

	Spring (bar)
	4
<b>8</b>	8

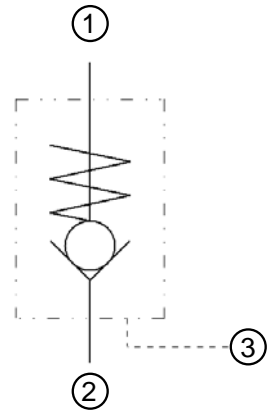
**Ordering Code Example: LVPC06** - 4 bar Cracking Pressure.



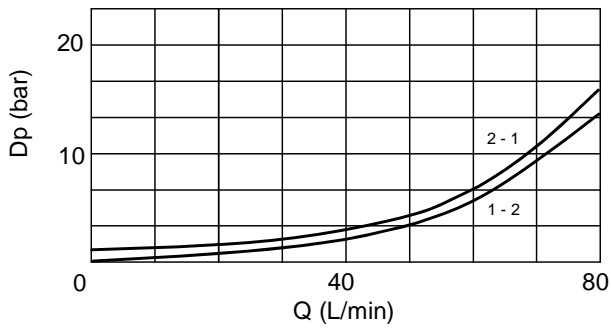
Dimensions



Hydraulic Symbol



Curves



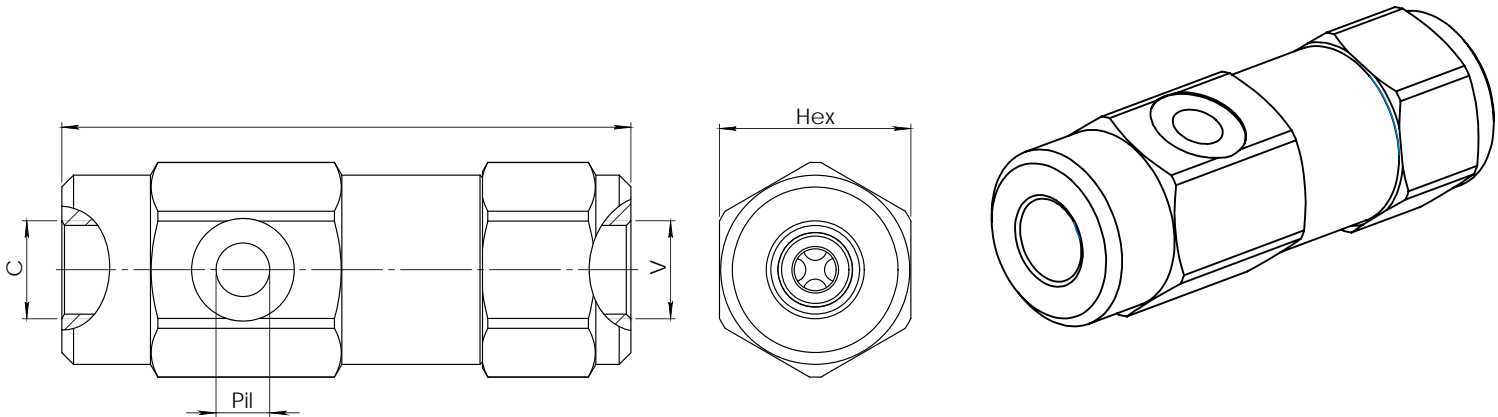
Features

Max Flow	80 lpm
Max Pressure	500 bar
Pilot Ratio	2,5:1
Cracking Pressure	1 bar
Installation Torque	85-100 Nm

Ordering Code

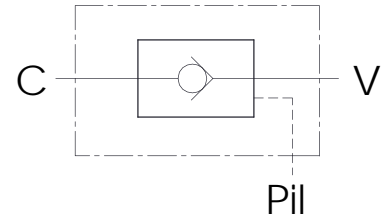
LVCPHW 80

### Dimensions

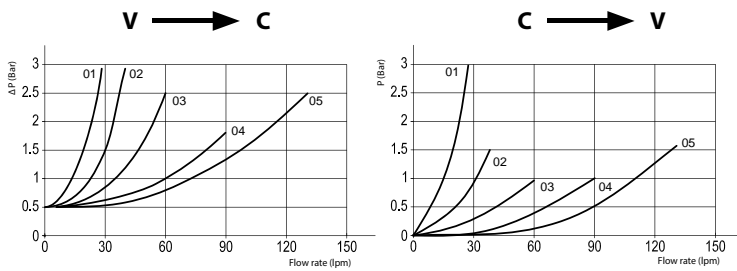


Size	A	C-V BSP	Pil BSP	Hex	Weight kg
01	103	1/4	1/4	36	0,71
02	112	3/8	1/4	40	0,98
03	122	1/2	1/4	42	1,09
04	145	3/4	1/4	55	2,32
05	164	1	1/4	55	2,44

### Hydraulic Symbol



### Curves



### Features

Size	01	02	03	04	05
Max Pressure (bar)	350	350	350	300	260
Max Flow (lpm)	25	40	60	90	130
Pilot Ratio	1:9,4	1:6,2	1:4,2	1:4,4	1:3,5
Cracking Pressure (bar)	0,5	0,5	0,5	0,5	0,5

**Materials:** Zinc plated steel body, hardened steel inner parts.

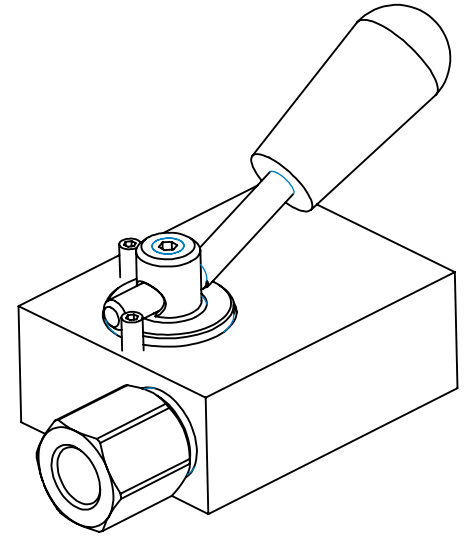
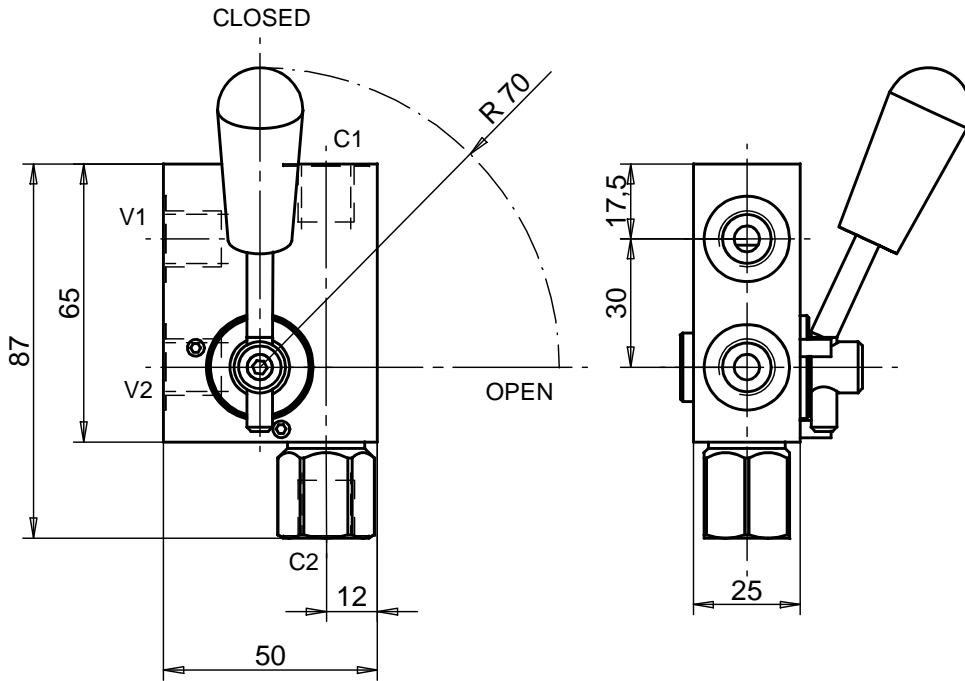
### Ordering Code

**LVPL**    **--**

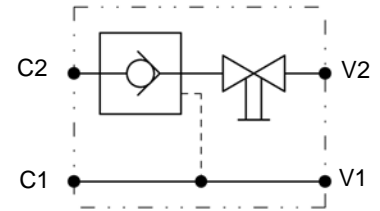
	Size BSP
<b>01</b>	1/4
<b>02</b>	3/8
<b>03</b>	1/2
<b>04</b>	3/4
<b>05</b>	1

**Ordering Code Example:** LVPL03 = 1/2 BSP.

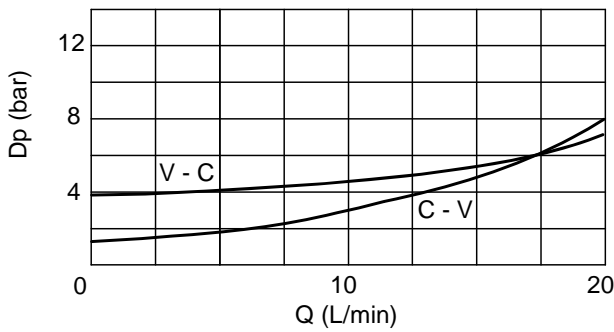
Dimensions



Hydraulic Symbol



Curves



Features

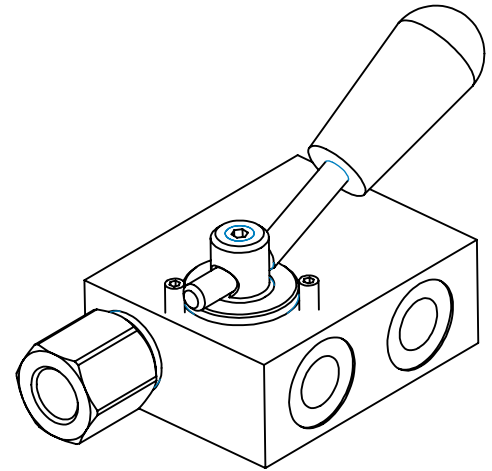
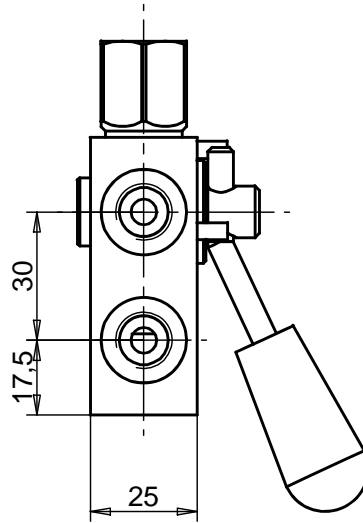
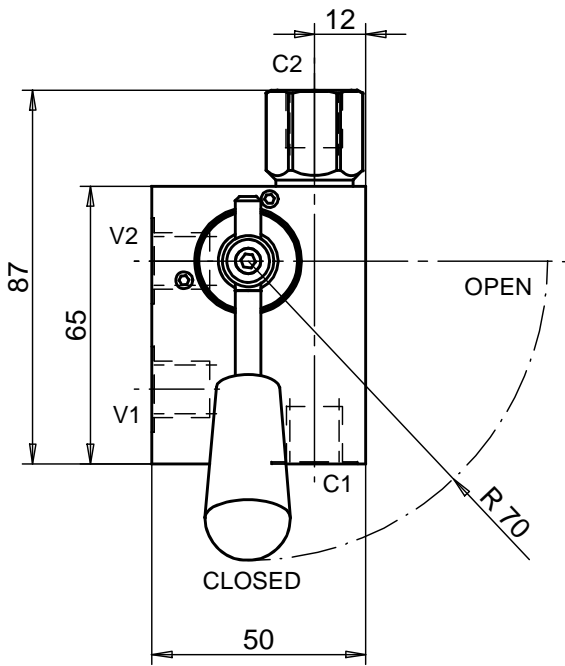
Max Flow	20 lpm
Max Pressure	350 bar
Pilot Ratio	4,7:1
Cracking Pressure	0,5 bar
Ports	1/4 bsp

**Materials:** Zinc plated steel cartridge, hardened steel inner parts. Aluminium manifold.

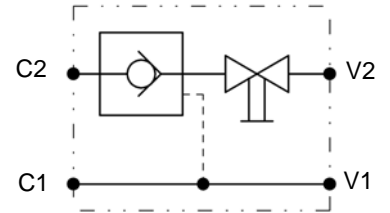
Ordering Code

LVSLRD 01

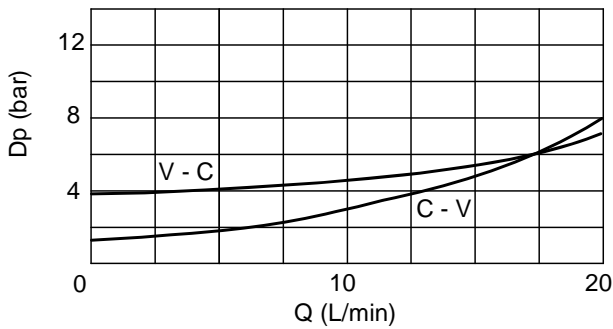
Dimensions



Hydraulic Symbol



Curves



Features

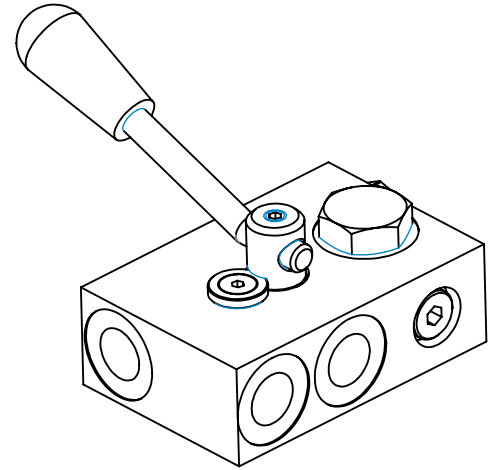
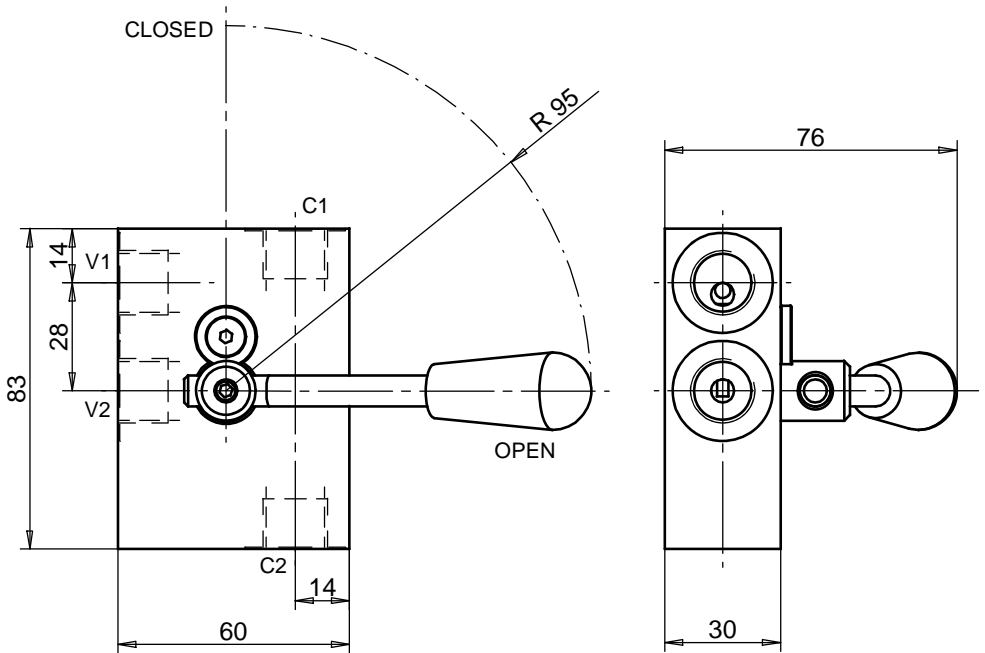
Max Flow	20 lpm
Max Pressure	350 bar
Pilot Ratio	4,7:1
Cracking Pressure	0,5 bar
Ports	1/4 bsp

**Materials:** Zinc plated steel cartridge, hardened steel inner parts.  
Aluminium manifold.

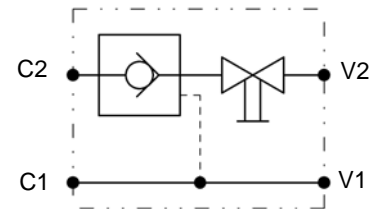
Ordering Code

LVSLRS 01

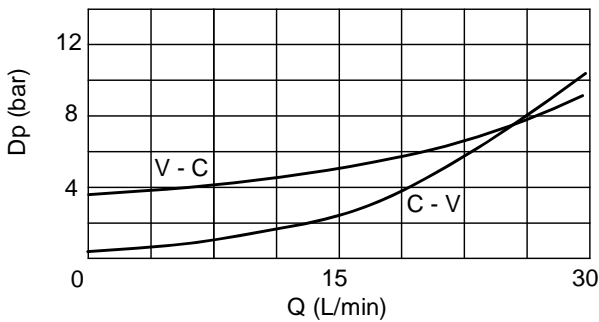
## Dimensions



## Hydraulic Symbol



## Curves



## Features

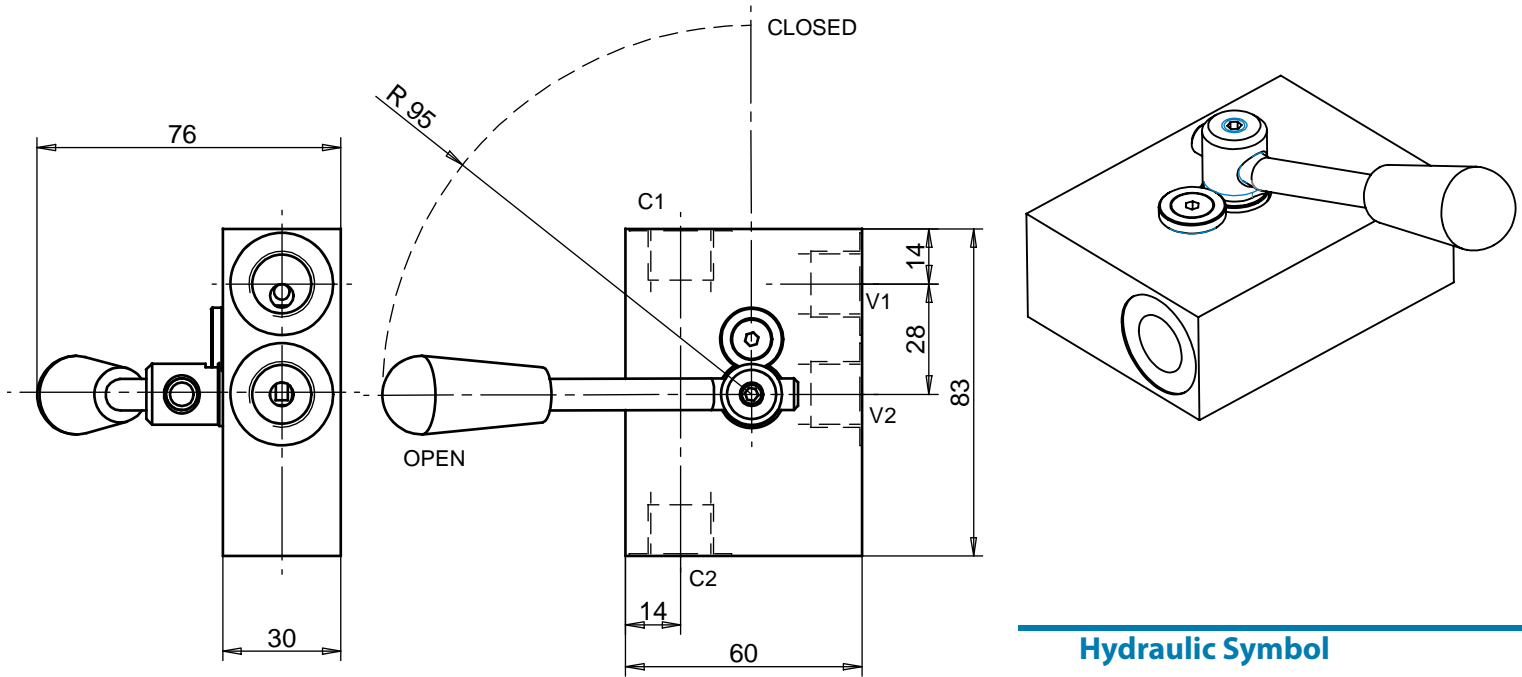
Max Flow	30 lpm
Max Pressure	350 bar
Pilot Ratio	4:1
Cracking Pressure	0,5 bar
Ports	3/8 bsp

**Materials:** Zinc plated steel cartridge, hardened steel inner parts.  
Aluminium manifold.

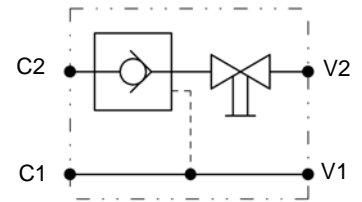
## Ordering Code

**LVSLRD 02**

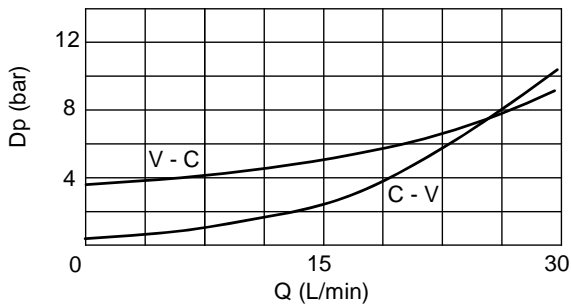
## Dimensions



## Hydraulic Symbol



## Curves



## Features

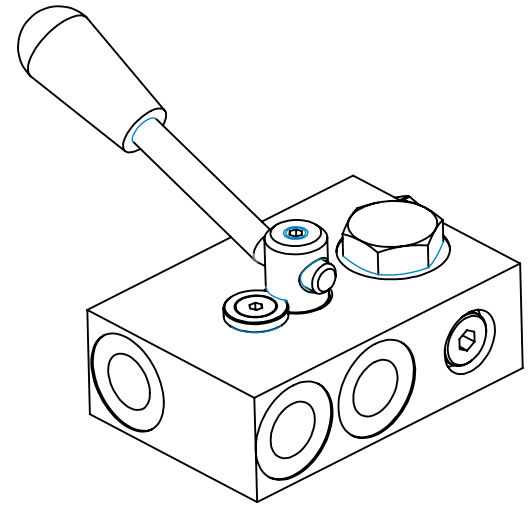
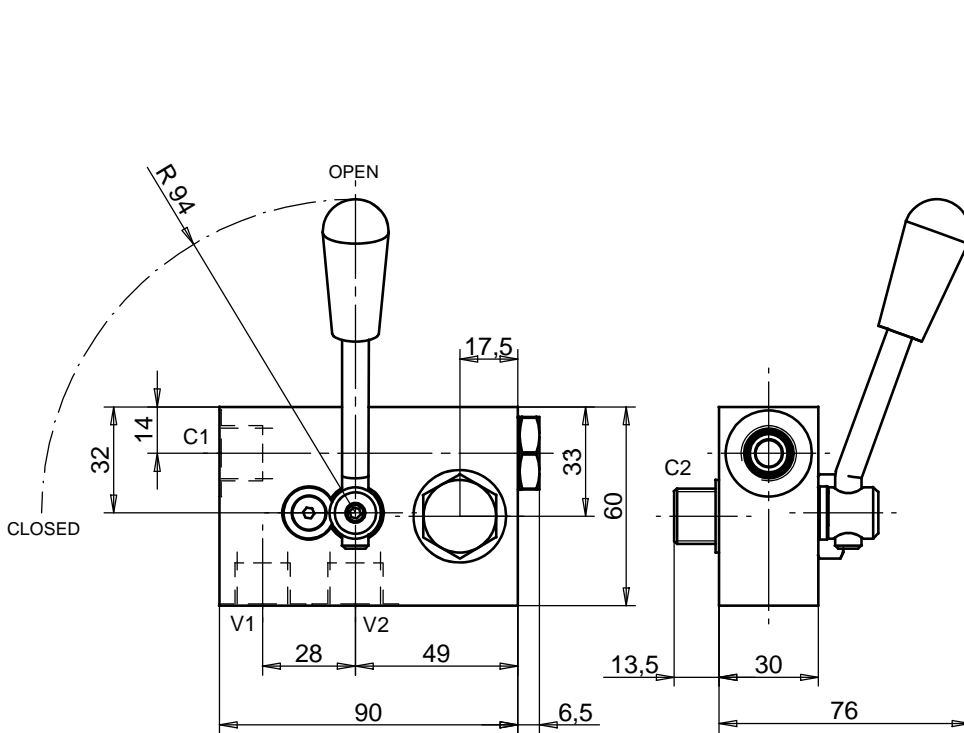
Max Flow	30 lpm
Max Pressure	350 bar
Pilot Ratio	4:1
Cracking Pressure	0,5 bar
Ports	3/8 bsp

**Materials:** Zinc plated steel cartridge, hardened steel inner parts.  
Aluminium manifold.

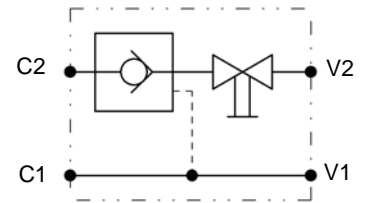
## Ordering Code

**LVSLRS 02**

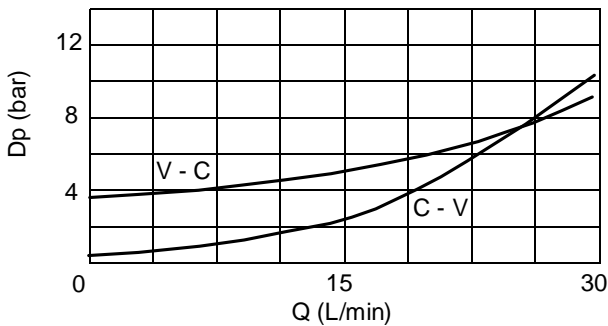
## Dimensions



## Hydraulic Symbol



## Curves



## Features

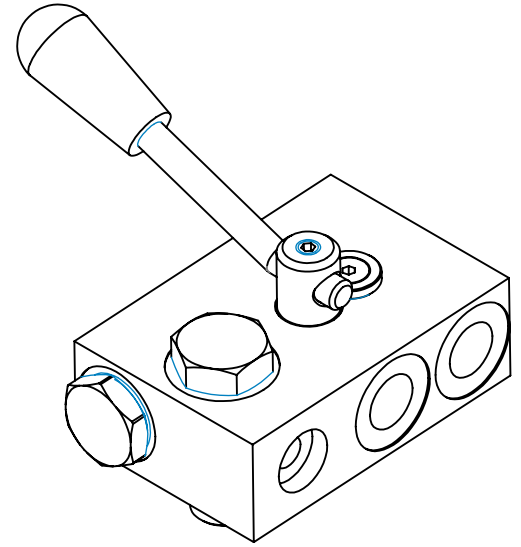
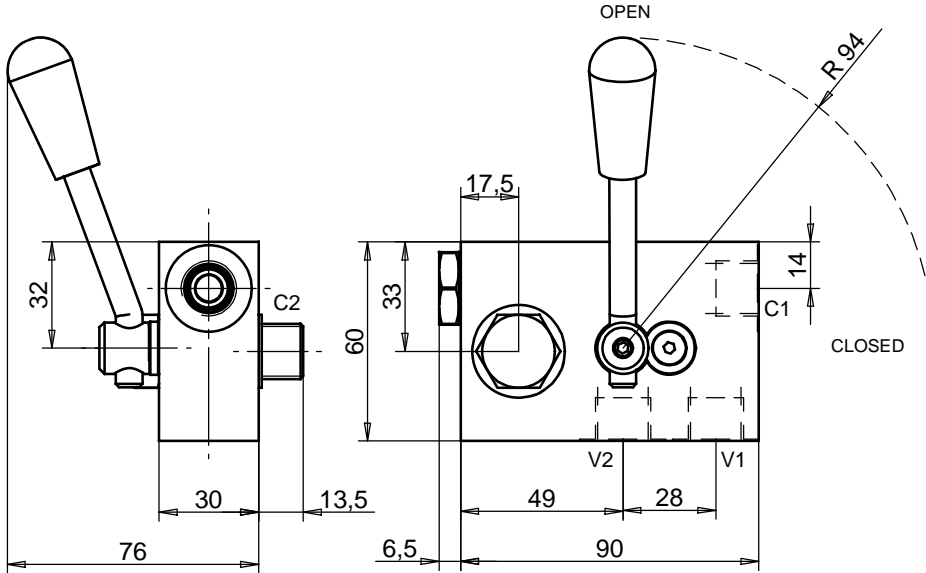
Max Flow	30 lpm
Max Pressure	350 bar
Pilot Ratio	4:1
Cracking Pressure	0,5 bar
Ports	3/8 bsp

**Materials:** Zinc plated steel cartridge, hardened steel inner parts.  
Aluminium manifold.

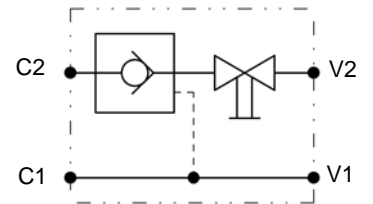
## Ordering Code

**LVSFRD 02**

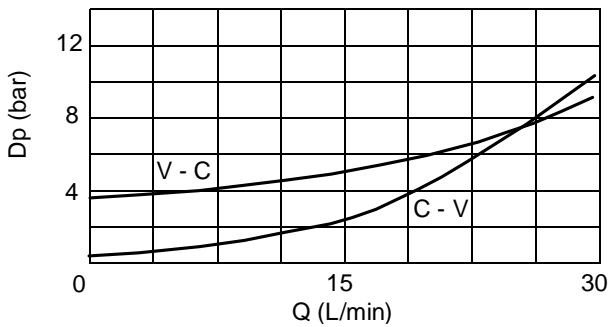
## Dimensions



## Hydraulic Symbol



## Curves



## Features

Max Flow	30 lpm
Max Pressure	350 bar
Pilot Ratio	4:1
Cracking Pressure	0,5/4 bar
Ports	3/8 bsp

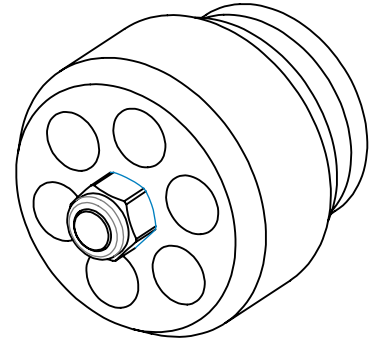
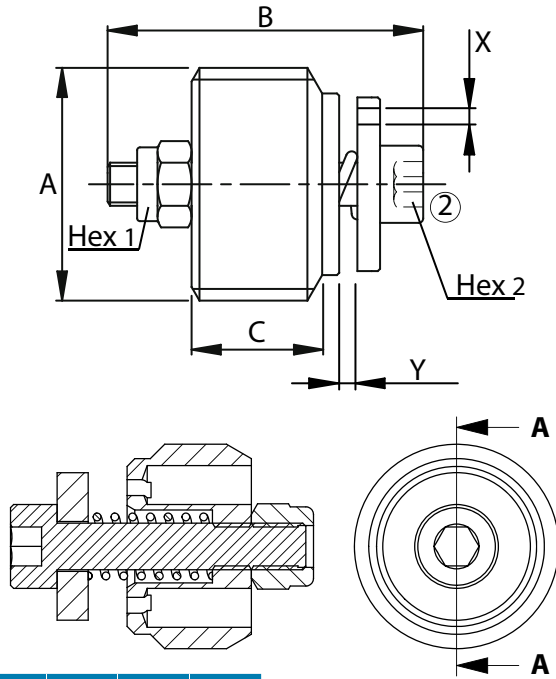
**Materials:** Zinc plated steel cartridge, hardened steel inner parts.  
Aluminium manifold.

## Ordering Code

**LVSFRS 02**

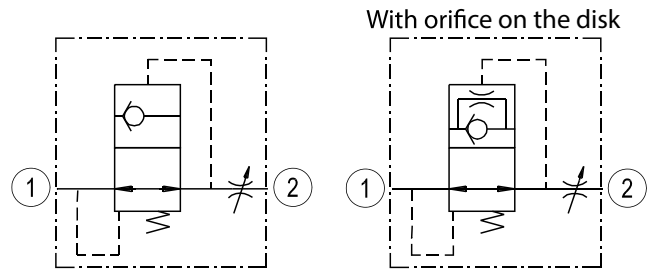


### Dimensions

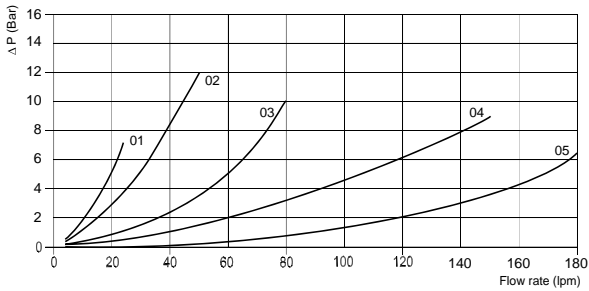


Size	A BSP	B	C	Hex 1	Hex 2	Weight kg
01	1/4	19	7	5,5	2,5	0,09
02	3/8	23	9,5	5,5	2,5	0,014
03	1/2	29	11,5	7	3	0,024
04	3/4	34	15,5	7	3	0,046
05	1	40	18,5	8	4	0,1

### Hydraulic Symbol



### Curves



**Notice:** To avoid inadvertent velocity fuse activation on flow surges the setting should be at least 50% higher than the maximum working flow.

### Features

Size	01	02	03	04	05
Max Pressure (bar)	350	350	350	350	350
Max Flow (lpm)	25	50	80	150	180

**Materials:** Steel body.

### Ordering Code

**HBV**    --    --    -    -

Size BSP		Setup
01	1/4	Cartridge only
02	3/8	MF Cartridge + Male/Female fitting*
03	1/2	FF Cartridge + Female/Female fitting*
04	3/4	
05	1	

\* For line fittings dimensions refer to page 127/00

Setting	
	Standard setting
Y	Customized setting (specify in lpm)

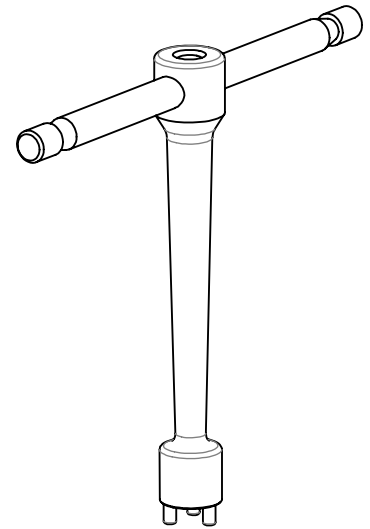
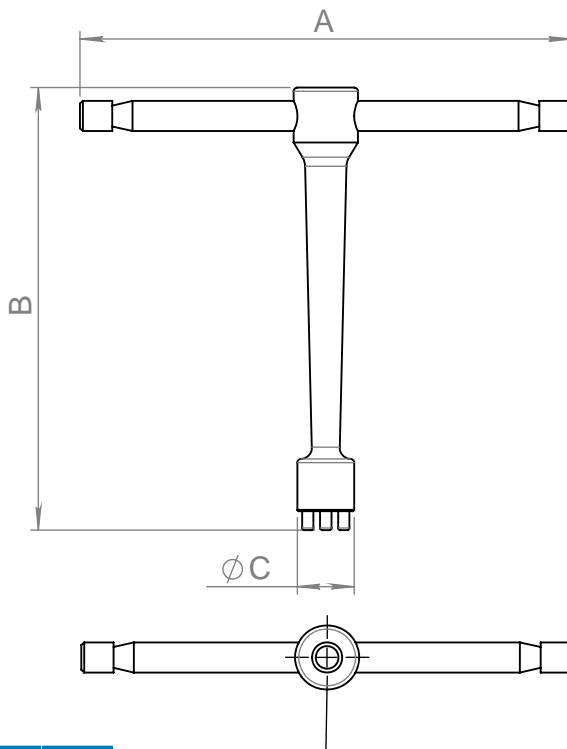
  

Orifice	
	Without orifice on the disk
X	With orifice (specify dimension in mm)

**Ordering Code Example:** HBV02 = 3/8 BSP valve only, standard setting.

HBVMFX0,8Y30 = 3/8 BSP line fitting + valve, 0,8mm orifice set at 30 lpm.

### Dimensions



### Hydraulic Symbol

Size	A BSP	B	C	Weight kg
<b>01</b>	120	105	11,3	0,08
<b>02</b>	130	117	15,0	0,14

### Curves

### Features

**Materials:** Passived steel body.

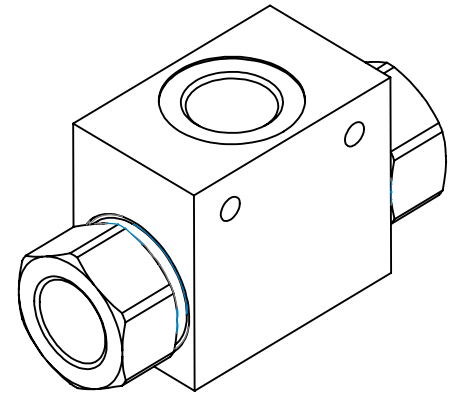
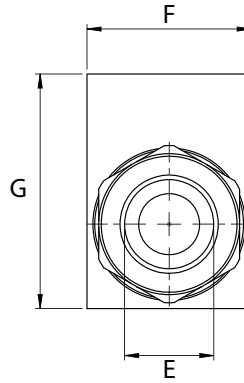
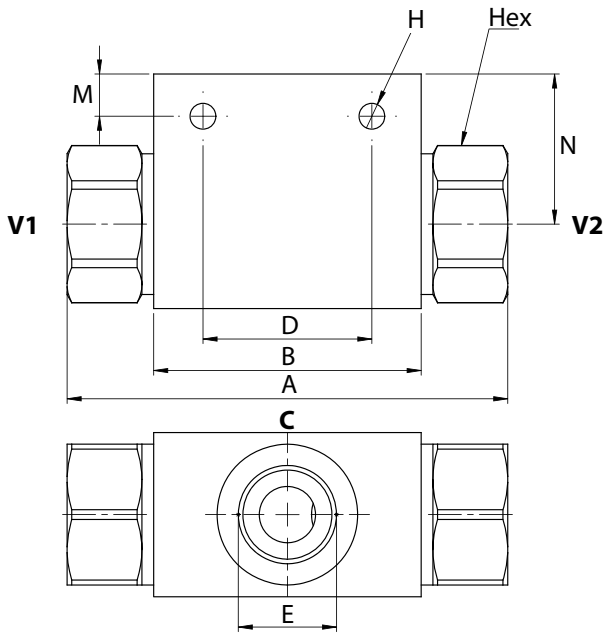
### Ordering Code

**HBV** -- **- TOOL**

Size BSP	
<b>01</b>	1/4
<b>02</b>	3/8

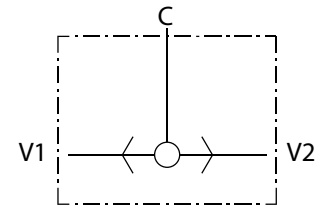
**Ordering Code Example:** **HBV02-TOOL** = tool for HBV02 (3/8" BSP)

## Dimensions

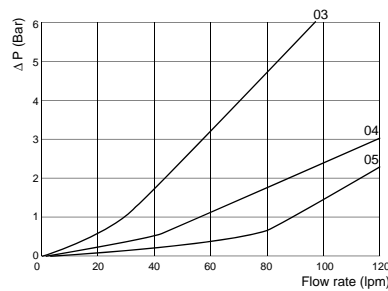
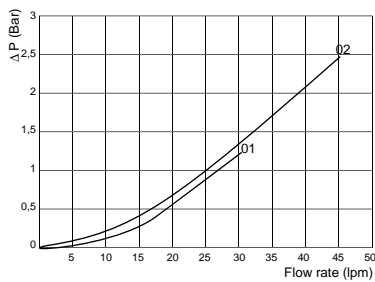


Size	A	B	D	E BSP	F	G	H	M	N	Hex	Weight kg
01	69	36	25	1/4	25	35	5,5	7,5	22,5	22	0,27
02	75	45	29	3/8	30	45	6,5	8	30	27	0,46
03	94	57	36	1/2	35	50	5,5	9	32	30	0,74
04	100	65	50	3/4	50	60	6,5	6,5	37,5	41	1,40
05	126	80	10,5	1	50	80	10,5	11	54,5	46	1,87

## Hydraulic Symbol



## Curves



## Features

Size	01	02	03	04	05
Max Pressure (bar)	500	500	500	350	300
Max Flow (lpm)	35	50	90	140	180

**Materials:** Zinc plated steel body.

## Ordering Code

SHV

--

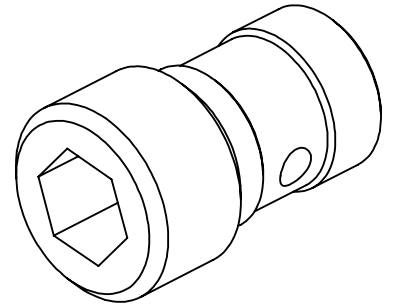
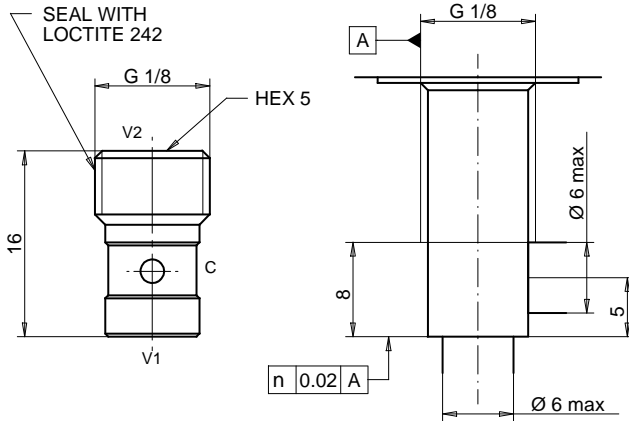
### Size BSP

01	1/4
02	3/8
03	1/2
04	3/4
05	1

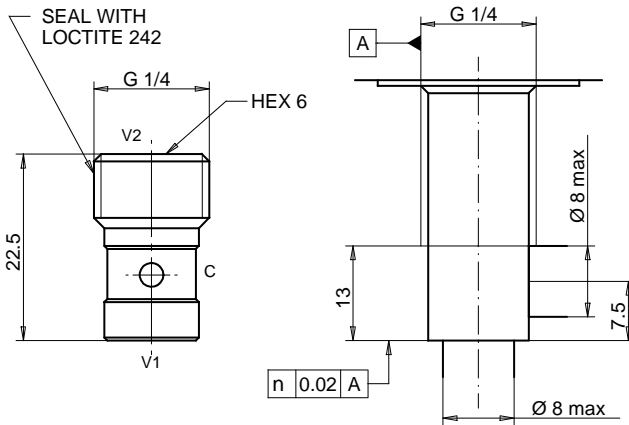
**Ordering Code Example:** SHV03 = 1/2 BSP.

Dimensions

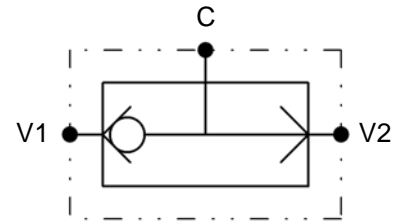
SHVI 005



SHVI 01

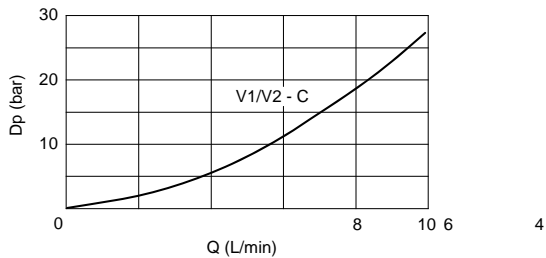


Hydraulic Symbol

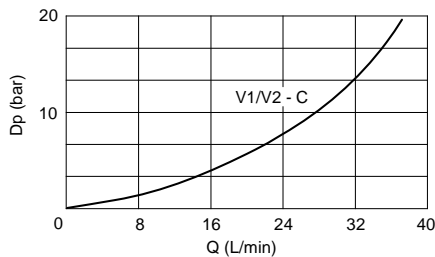


Curves

SHVI 005



SHVI 01



Features

Size	005	01
Max Pressure (bar)	350	350
Max Flow (lpm)	10	36

Ordering Code

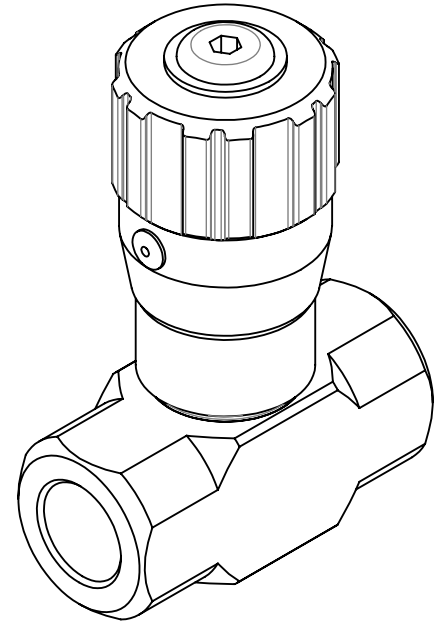
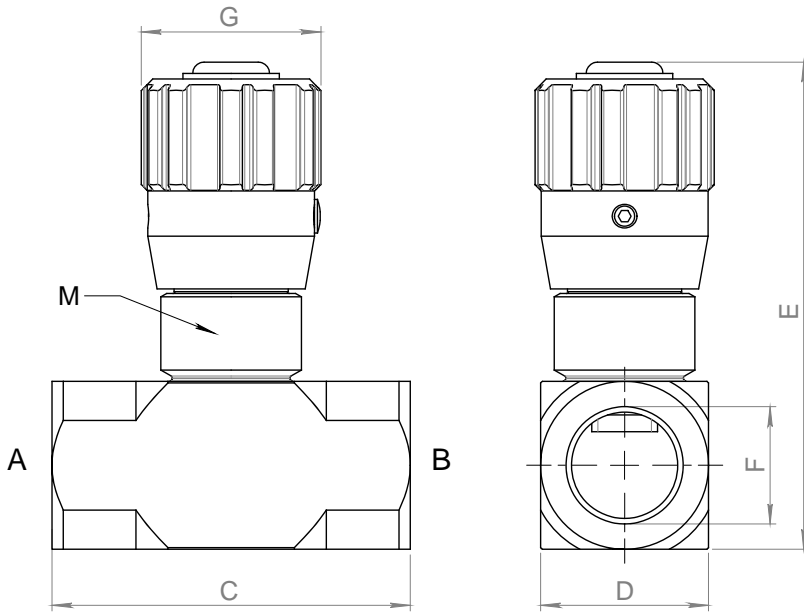
SHVI

--

Size BSP

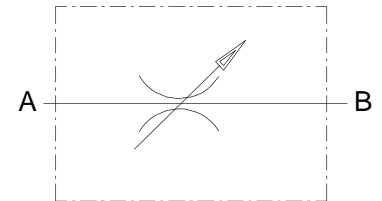
005	1/8
01	1/4

### Dimensions

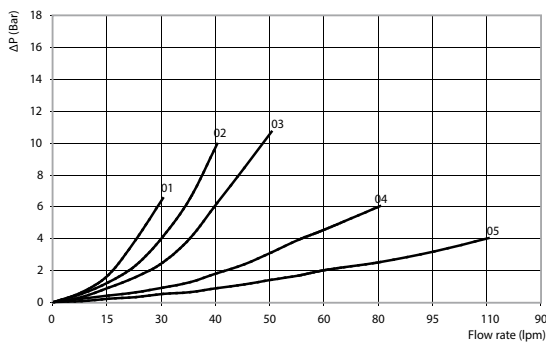


Size	F BSP	C	D	E	G	M	Weight kgs
<b>01</b>	1/4	58	25	82	32	M25x1	0,37
<b>02</b>	3/8	58	25	82	32	M25x1	0,35
<b>03</b>	1/2	64	30	86,5	32	M25x1	0,45
<b>04</b>	3/4	89	40	113	44	M35x1	1,16
<b>05</b>	1	89	40	111	44	M35x1	1,03

### Hydraulic Symbol



### Curves



### Features

Size	Max Pressure bar	Max Flow rate lpm
<b>01</b>	350	30
<b>02</b>	350	40
<b>03</b>	350	50
<b>04</b>	320	80
<b>05</b>	300	110

**Materials:** Zinc plated steel body, alloy handknob.

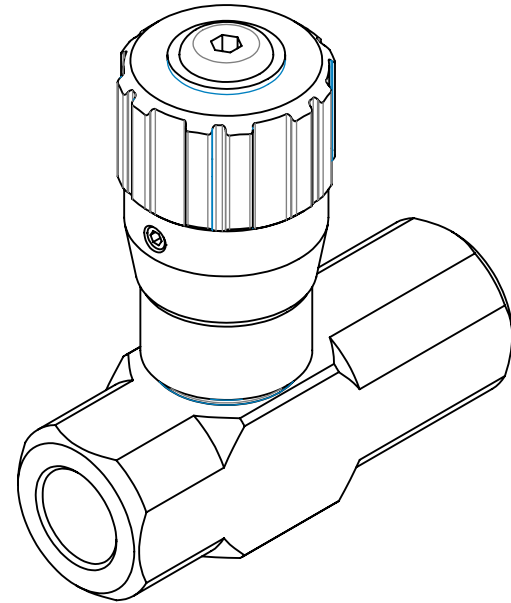
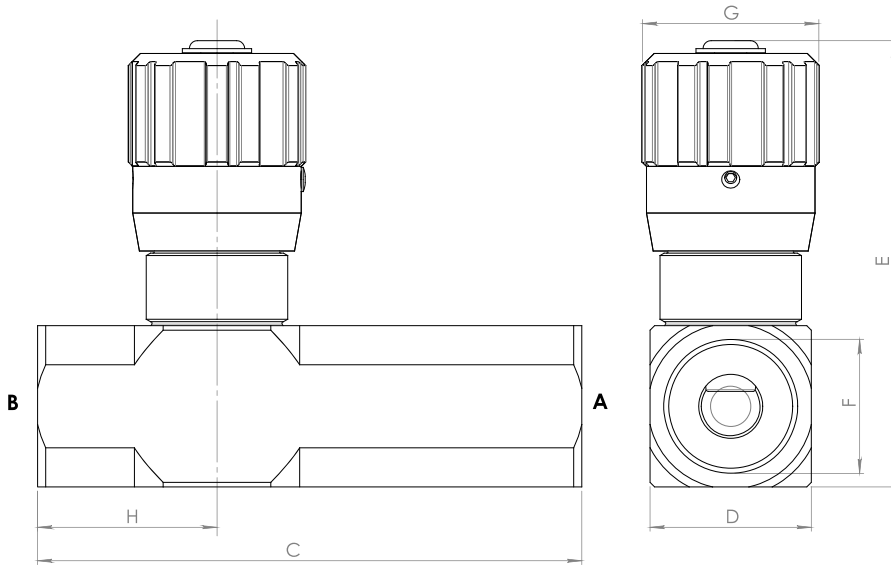
### Ordering Code

**FRB90**    - -

	Size BSP
<b>01</b>	1/4
<b>02</b>	3/8
<b>03</b>	1/2
<b>04</b>	3/4
<b>05</b>	1

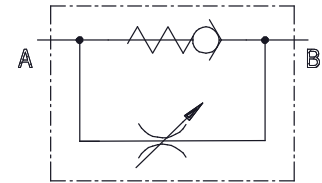
**Ordering Code Example:** FRB9003 = Needle valve 1/2 BSP.

### Dimensions

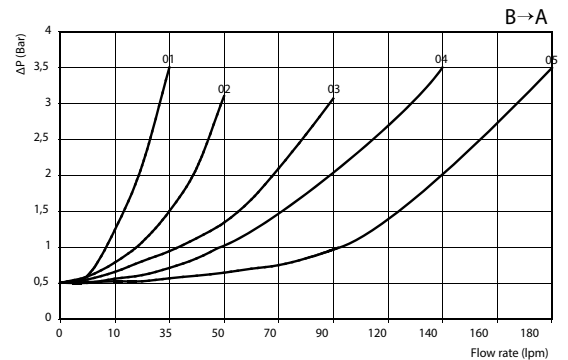
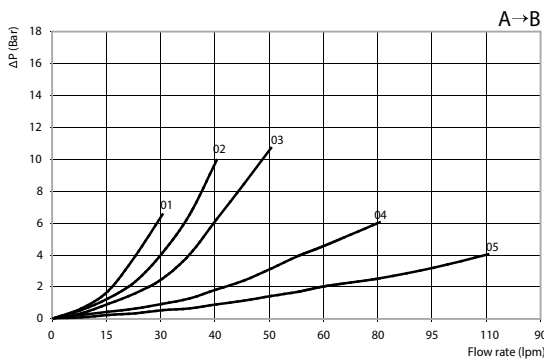


Size	F BSP	C	D	E	G	H	M	Weight kg	Max Pressure bar	Max Flow Rate A→B lpm	Max Flow rate B→A lpm	Cracking Pressure bar
<b>01</b>	1/4	75	25	82	32	28,5	M25x1,5	0,42	350	30	35	0,5
<b>02</b>	3/8	75	25	82	32	31,5	M25x1,5	0,39	350	40	50	0,5
<b>03</b>	1/2	93	30	84,5	32	34,5	M25x1,5	0,60	350	50	90	0,5
<b>04</b>	3/4	108	40	108	44	44	M35x1,5	1,42	320	80	140	0,5
<b>05</b>	1	108	40	108	44	44	M35x1,5	1,39	300	110	160	0,5

### Hydraulic Symbol



### Curves



**Materials:** Zinc plated steel body, alloy handknob.

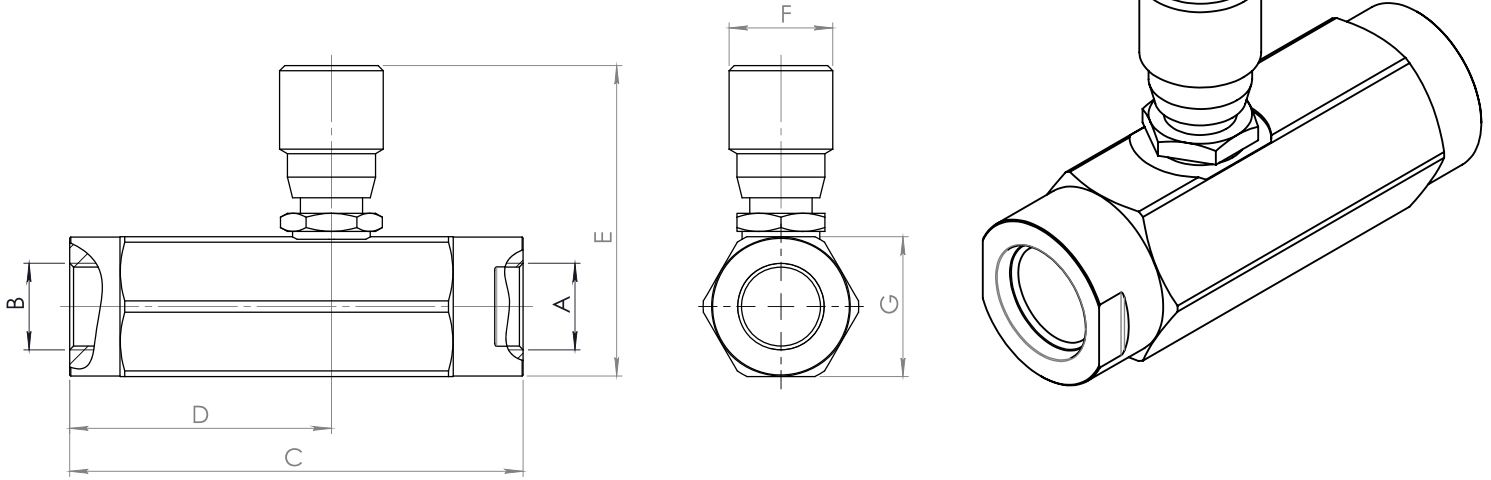
### Ordering Code

**FRU90** --

	Size BSP
<b>01</b>	1/4
<b>02</b>	3/8
<b>03</b>	1/2
<b>04</b>	3/4
<b>05</b>	1

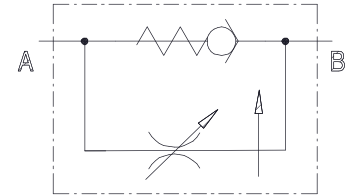
**Ordering Code Example:** FRU9004 = 3/4 BSP.

### Dimensions

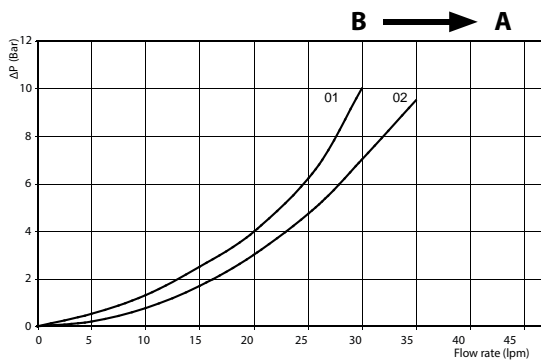


Size	A - B BSP	C	D	E max	F	G	Weight kgs
<b>01</b>	1/4	86	35	70	20	32	0,50
<b>02</b>	3/8	86	35	70	20	32	0,48

### Hydraulic Symbol



### Curves



### Features

Size	01	02
Max Pressure (bar)	250	250
Max Flow A B (lpm)	17	17
Max Flow B A (lpm)	25	27

**Materials:** Zinc plated steel body, alloy handknob.

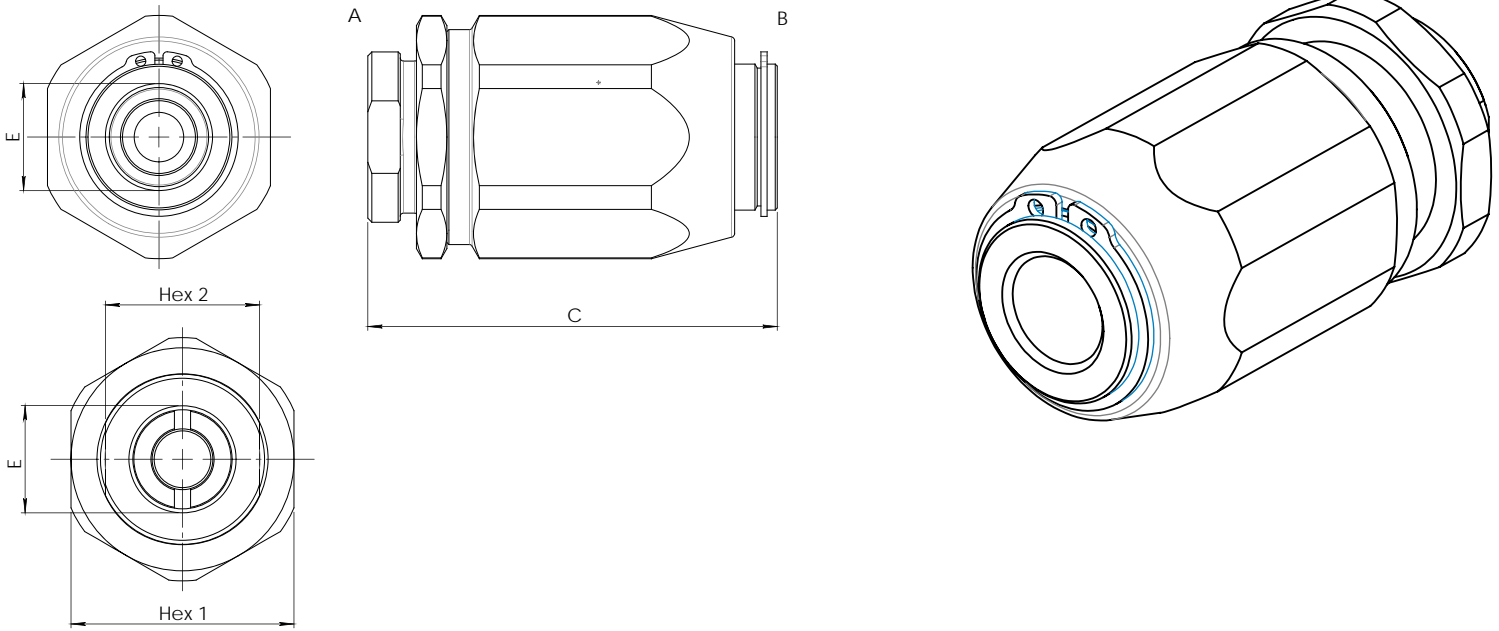
### Ordering Code

**FRC90** - -

	Size BSP
<b>01</b>	1/4
<b>02</b>	3/8

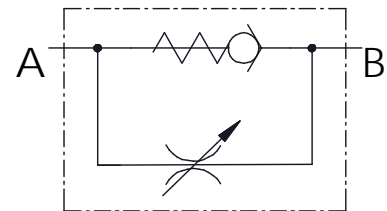
**Ordering Code Example:** FRC9003 = 1/2 BSP.

### Dimensions

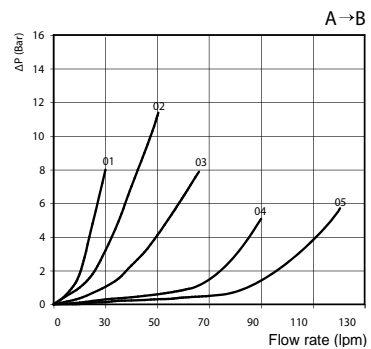
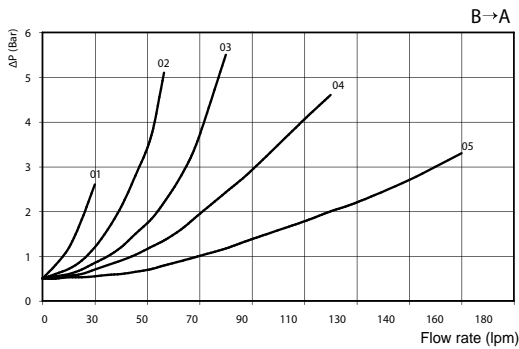


Size	C	E BSP	Hex 1	Hex 2	Weight kg	Max Pressure bar	Max Flow Rate A→B lpm	Max Flow Rate B→A lpm	Cracking Pressure bar
<b>01</b>	65	1/4	32	22	0,29	350	30	30	0,5
<b>02</b>	75	3/8	38	27	0,48	350	40	50	0,5
<b>03</b>	80	1/2	41	30	0,59	350	50	80	0,5
<b>04</b>	101	3/4	55	38	1,34	300	80	110	0,5
<b>05</b>	115	1	65	46	2,35	250	110	160	0,5

### Hydraulic Symbol



### Curves



**Materials:** Zinc plated steel body, hardened steel poppet.

### Ordering Code

**FRUB**

--

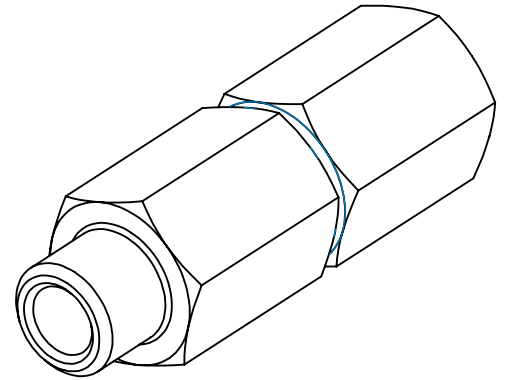
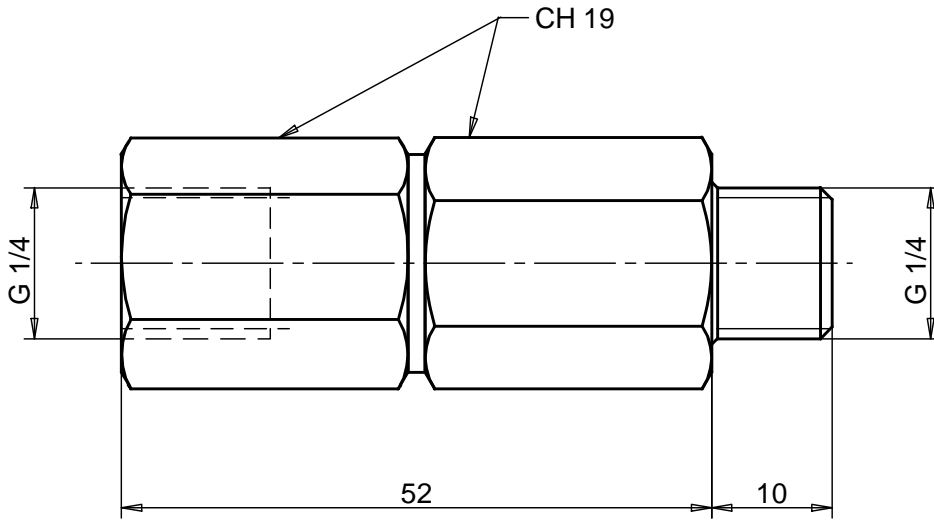
Size BSP

<b>01</b>	1/4
<b>02</b>	3/8
<b>03</b>	1/2
<b>04</b>	3/4
<b>05</b>	1

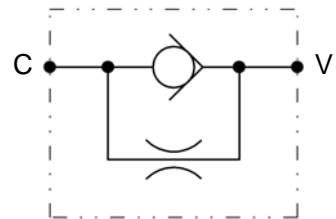
**Ordering Code Example:** FRUB03 = 1/2 BSP.



Dimensions



Hydraulic Symbol



Features

Max Pressure (bar)	350
Max Flow (lpm)	10
Z (mm)	0,30 0,40 0,5 0,6 0,7 0,8 0,9 1,0 1,3 1,5 1,75

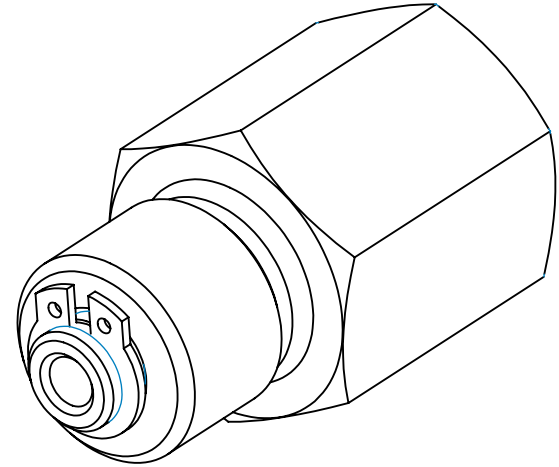
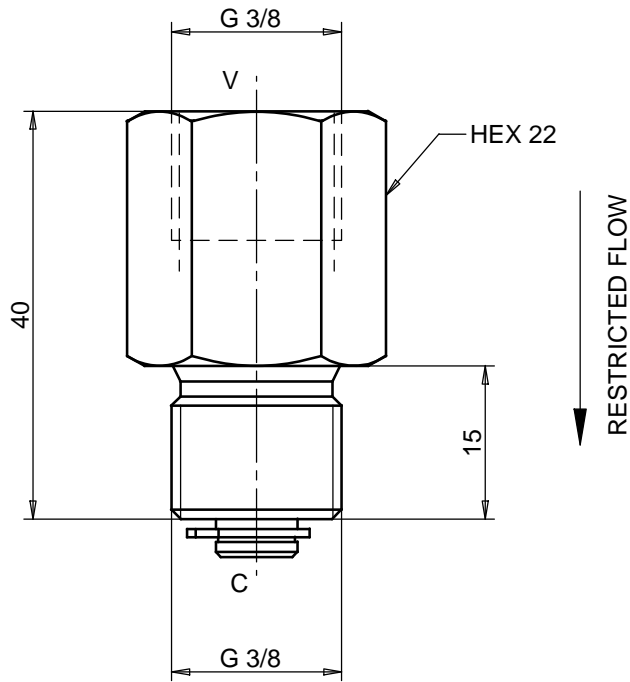
Ordering Code

VSFUD 01 --

Orifice Ø

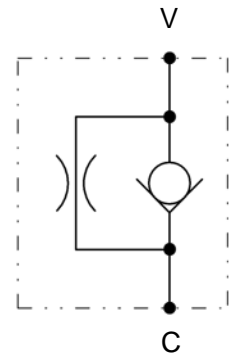
Z	To be specified
---	-----------------

Dimensions



RESTRICTED FLOW

Hydraulic Symbol



Features

Max Pressure (bar)	250						
Max Flow (lpm)	30						
Z (mm)	0,50	0,75	1,0	1,25	1,5	1,75	2,0

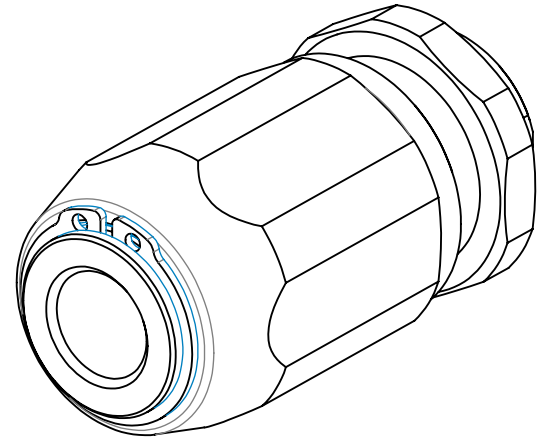
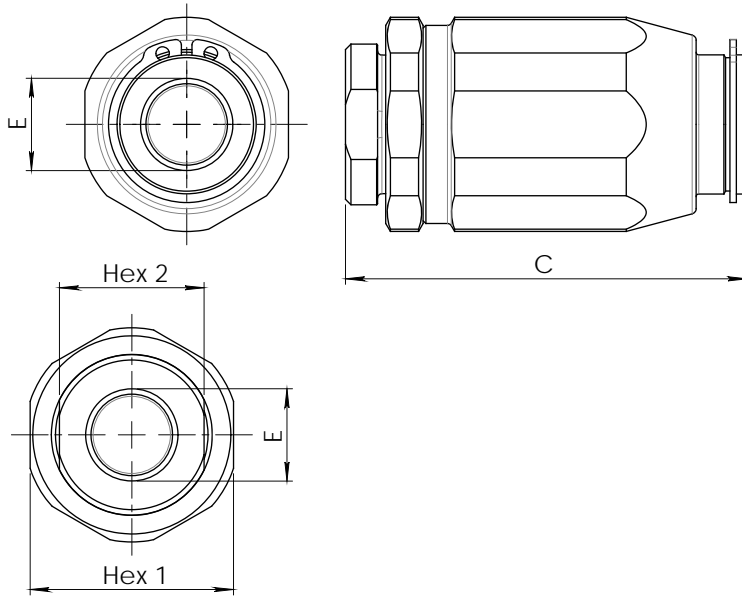
Other holes on request

Ordering Code

VSF 02 --

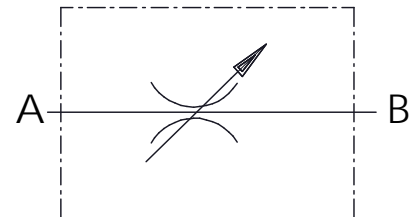
Orifice Ø	
Z	To be specified

### Dimensions

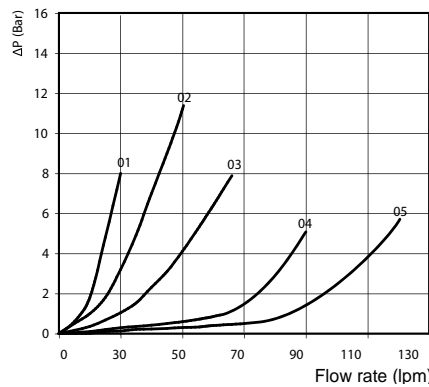


Size	C	E BSP	Hex 1	Hex 2	Weight kg	Max Pressure bar	Max Flow rate lpm
<b>01</b>	65	1/4	32	22	0,29	350	30
<b>02</b>	75	3/8	38	27	0,46	350	40
<b>03</b>	80	1/2	41	30	0,57	350	50
<b>04</b>	101	3/4	55	38	1,30	300	80
<b>05</b>	115	1	65	46	2,10	250	110

### Hydraulic Symbol



### Curves



**Materials:** Zinc plated steel.

### Ordering Code

**FRBB**

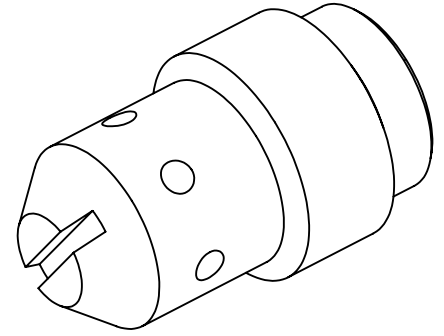
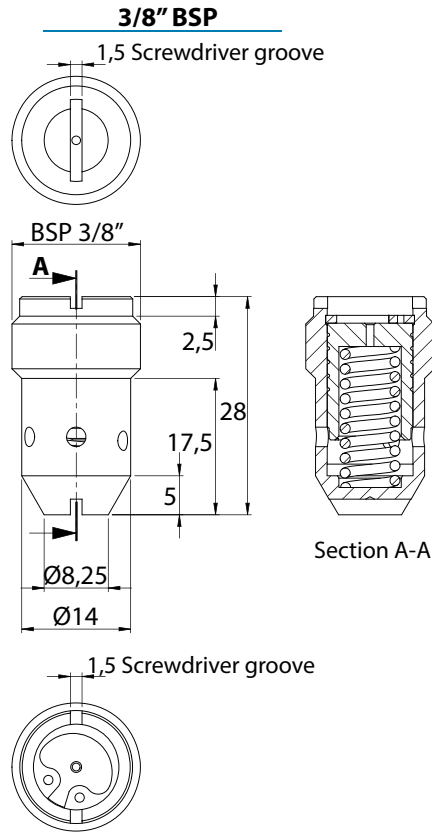
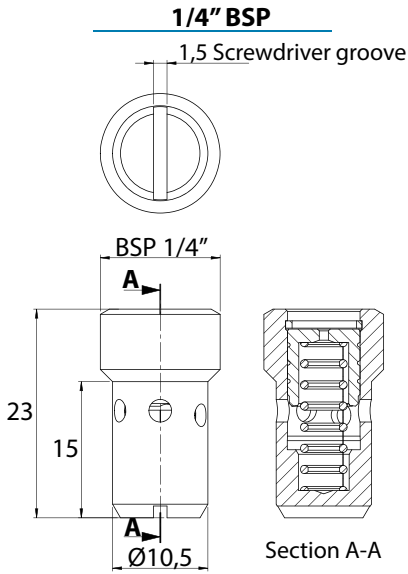
--

#### Size BSP

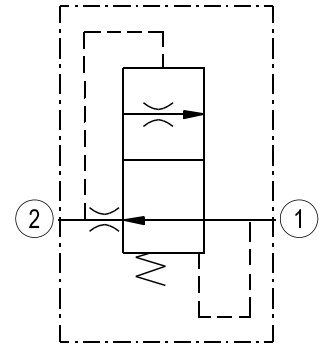
<b>01</b>	1/4
<b>02</b>	3/8
<b>03</b>	1/2
<b>04</b>	3/4
<b>05</b>	1

**Ordering Code Example:** FRBB03 = 1/2 BSP.

### Dimensions



### Hydraulic Symbol



### Features

**Max Pressure** 350 bar

**Materials:** Steel cartridge, hardened steel inner parts.

### Ordering Code

**DVF**

--

--

--

	Size BSP
<b>01</b>	1/4
<b>02</b>	3/8

Size	Flow Rate (lpm)	
	01	02
<b>A</b>	1	2
<b>AB</b>	1,5	-
<b>B</b>	2	-
<b>C</b>	3	3
<b>D</b>	4	4
<b>E</b>	5	5
<b>F</b>	6	6
<b>G</b>	7	7
<b>H</b>	8	8
<b>I</b>	9	9
<b>J</b>	10	10
<b>K</b>	-	11
<b>L</b>	-	12
<b>M</b>	-	13
<b>N</b>	-	14
<b>O</b>	-	15
<b>P</b>	-	16
<b>Q</b>	-	17
<b>R</b>	-	18
<b>S</b>	-	19
<b>T</b>	-	20

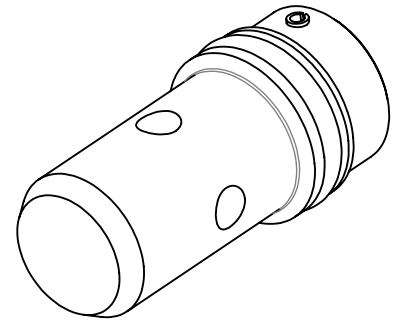
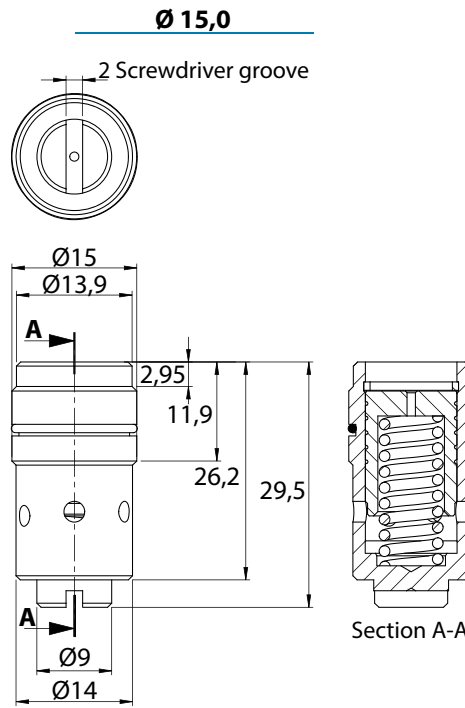
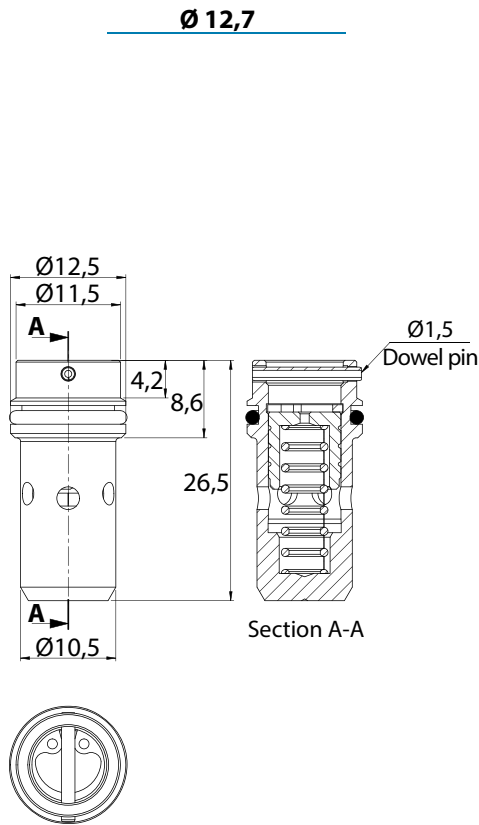
### Setup

	Cartridge only
<b>MF</b>	Cartridge+Male/Female fitting *
<b>FF</b>	Cartridge+Female/Female fitting *

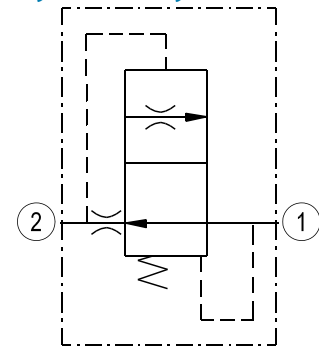
\* For line fittings dimensions refer to page 127/00

**Ordering Code Example:** DVF01B = 1/4" BSP cartridge, 2 lpm at 60 bar.

Dimensions



Hydraulic Symbol



Features

Max Pressure 350 bar

Materials: Steel cartridge, hardened steel inner parts.

Ordering Code

DVFPI

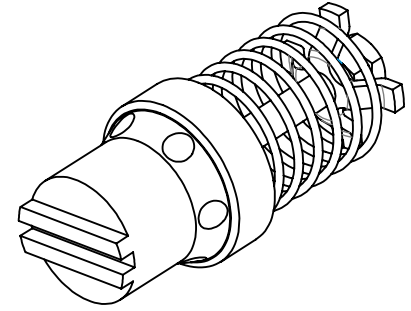
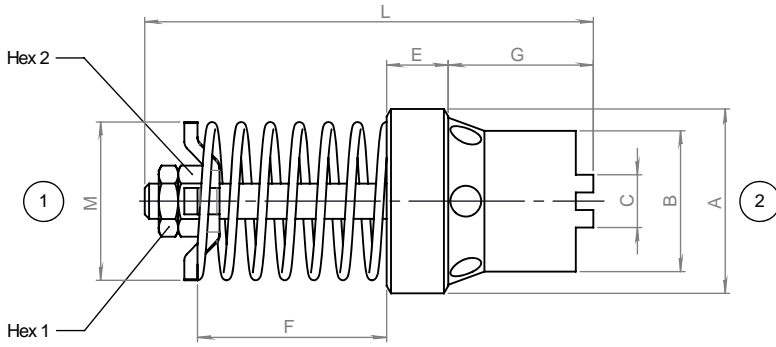
--

--

Size	Flow Rate (lpm)	Flow Rate (lpm)	
		01	02
01	Ø 12,7		
02	Ø 15,0		
A	1	1	
AB	1,5	-	
B	2	-	
C	3	3	
D	4	4	
E	5	5	
F	6	6	
G	7	7	
H	8	8	
I	9	9	
J	10	10	
K	-	11	
L	-	12	
M	-	13	
N	-	14	
O	-	15	
P	-	16	
Q	-	18	
R	-	20	

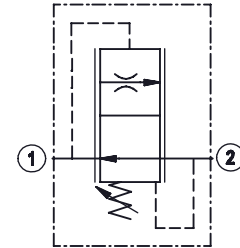
Ordering Code Example: DVFPI01AB = Ø 12,7 cartridge, 1,5 lpm at 60 bar.

**Dimensions**

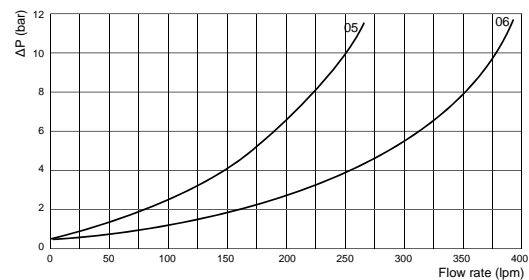
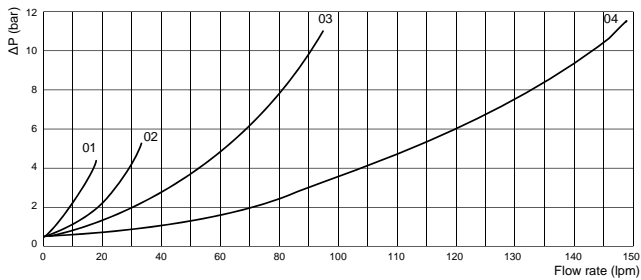


**Hydraulic Symbol**

Size	A (BSP)	Max Flow (lpm)	Max Pressure (bar)	B	C	E	G	L	M	Hex 1	Hex 2	Tightening Torque (Nm)	Weight (kg)
01	1/4	15	300	10	4	6,5	13,5	39	10	5,5	5,5	6	0,013
02	3/8	35	300	11,5	6	7	15	45	14	6	7	8	0,024
03	1/2	65	300	16	6	7	16,5	51	18	6	7	12	0,037
04	3/4	150	300	20	8	9,5	21,5	62	23	6	7	15	0,070
05	1	250	250	26	14	15	25	82	28,5	8	8	20	0,170
06	1-1/4	400	250	33	17,5	20,5	31,5	95	35	10	10	25	0,270



**Curves**



**Materials:** Steel cartridge.

**Ordering Code**

**VRD**    --    -    --

Size	BSP
01	1/4
02	3/8
03	1/2
04	3/4
05	1
06	1 - 1/4

Setting Range	01	02	03	04	05	06
<b>A</b>	1 - 1,6	2,5 - 4	16 - 21	37 - 50	80 - 100	160 - 210
<b>B</b>	1,5 - 2,5	3,8 - 6,3	20,5 - 28	48 - 65	100 - 130	205 - 250
<b>C</b>	2,4 - 4	6,1 - 10	27,5 - 37	63 - 90	128 - 162	245 - 280
<b>D</b>	3,9 - 6,3	9,8 - 16	36,5 - 50	88 - 120	160 - 200	270 - 340
<b>E</b>	6,2 - 10	15,8 - 25	48 - 65	115 - 150	195 - 250	330 - 400
<b>F</b>	9,5 - 15	24,5 - 35	/	/	/	/

**Setup**

	Cartridge only
<b>MF</b>	Cartridge+Male/Female fitting *
<b>FF</b>	Cartridge+Female/Female fitting *

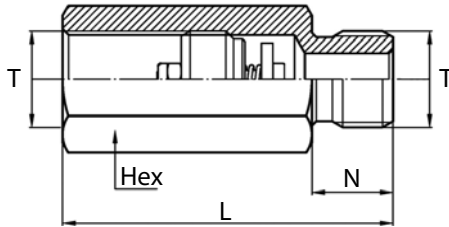
\* For line fittings dimensions refer to page 127/05

**Ordering Code Example:** VRD03D = 1/2" BSP cartridge, 36,5 - 50 lpm flow rate setting range

### Dimensions

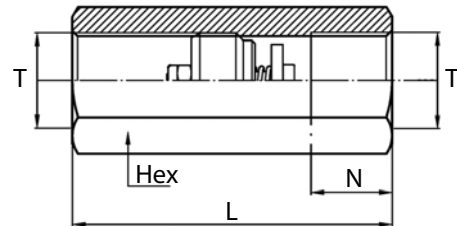
## HBV

### MALE-FEMALE LINE FITTING



Size	L	N	T BSP	Hex	Weight kg
<b>01</b>	50	12	1/4	19	0,075
<b>02</b>	58	12	3/8	22	0,105
<b>03</b>	70	14	1/2	27	0,185
<b>04</b>	78	16	3/4	32	0,365
<b>05</b>	92	18	1	41	0,765

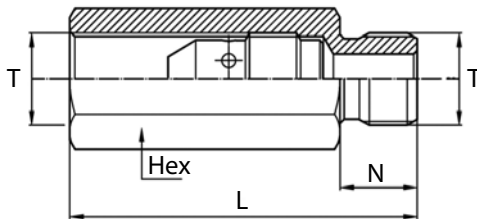
### FEMALE-FEMALE LINE FITTING



Size	L	N	T BSP	Hex	Weight kg
<b>01</b>	48	12	1/4	19	0,075
<b>02</b>	52	12	3/8	22	0,097
<b>03</b>	62	14	1/2	27	0,160
<b>04</b>	72	16	3/4	32	0,350
<b>05</b>	86	20	1	41	0,785

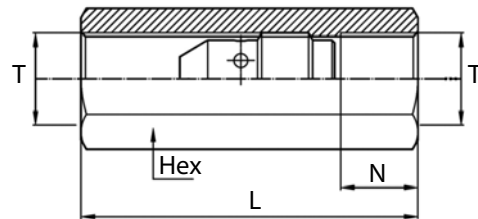
## DVF

### MALE-FEMALE LINE FITTING



Size	L	N	T BSP	Hex	Weight kg
<b>01</b>	60	12	1/4	19	0,078
<b>02</b>	62	12	3/8	22	0,098

### FEMALE-FEMALE LINE FITTING



Size	L	N	T BSP	Hex	Weight kg
<b>01</b>	56	12	1/4	19	0,080
<b>02</b>	60	14	3/8	22	0,100

**Materials:** Zinc plated steel.

**WARNING:** HBV and DVF have to be purchased separately and fitted in by the end user unless clearly specified during the order.

### Ordering Code

IH -- --- --

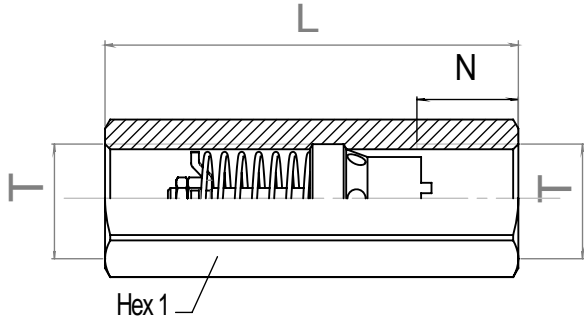
Type	Model
<b>MF</b> Male-Female	<b>HBV</b> HBV line housing
<b>FF</b> Female-Female	<b>DVF</b> DVF line housing

Size BSP	
<b>01</b>	1/4
<b>02</b>	3/8
<b>03</b>	1/2
<b>04</b>	3/4
<b>05</b>	1

**Ordering Code Example:** IHFFHBV02 = Female/Female, 3/8 BSP housing for HBV valve.

### Dimensions

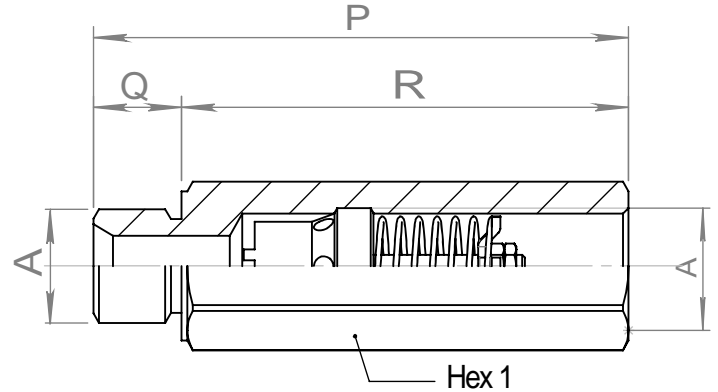
#### FEMALE-FEMALE LINE FITTING



Size	L	N	T BSP	Hex	Weight kg
<b>01</b>	66	15	1/4	19	0,11
<b>02</b>	70	16	3/8	25	0,12
<b>03</b>	80	19	1/2	28	0,20
<b>04</b>	100	23	3/4	35	0,29
<b>05</b>	125	23	1	41	0,67
<b>06</b>	145	30	1-1/4	50	1,04

### VRD

#### MALE-FEMALE LINE FITTING



Size	R	P	Q	T BSP	Hex 1	Weight kg
<b>01</b>	68	78	10	1/4	19	0,11
<b>02</b>	70	82	12	3/8	25	0,14
<b>03</b>	80	96	16	1/2	28	0,24
<b>04</b>	80	106	26	3/4	35	0,34
<b>05</b>	110	135	25	1	41	0,75
<b>06</b>	125	135	30	1-1/4	50	1,09

**Materials:** Zinc plated steel.

**WARNING:** VRD have to be purchased separately and ytted in by the end user unless clearly speciyed during the order

### Ordering Code

**IH**    **--**    **---**    **--**

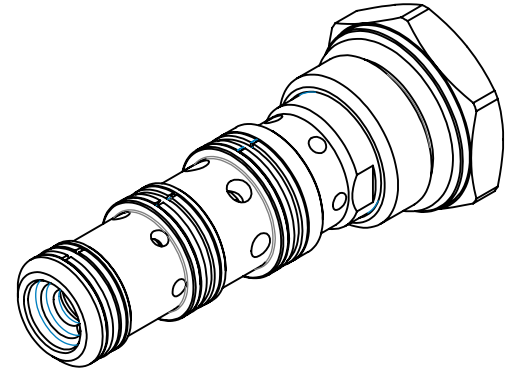
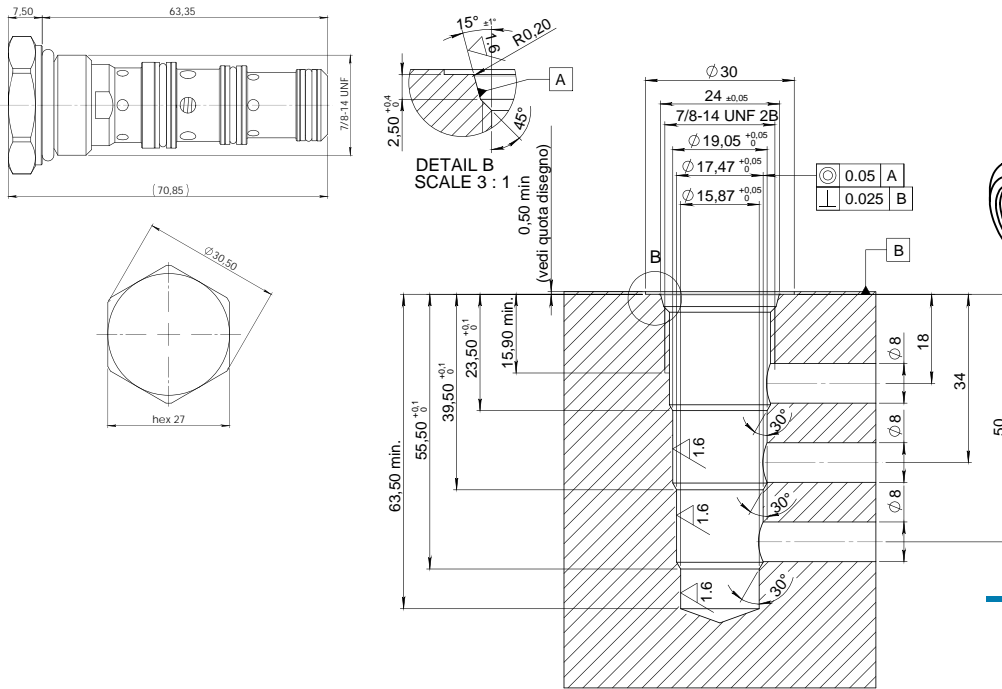
Type		Model	
<b>MF</b>	Male-Female	<b>VRD</b>	VRD line housing
<b>FF</b>	Female-Female		

Size BSP	
<b>01</b>	1/4
<b>02</b>	3/8
<b>03</b>	1/2
<b>04</b>	3/4
<b>05</b>	1
<b>06</b>	1 - 1/4

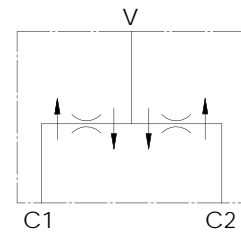
**Ordering Code Example:** IHFFVRD02 = Female/Female, 3/8 BSP housing for VRD valve.



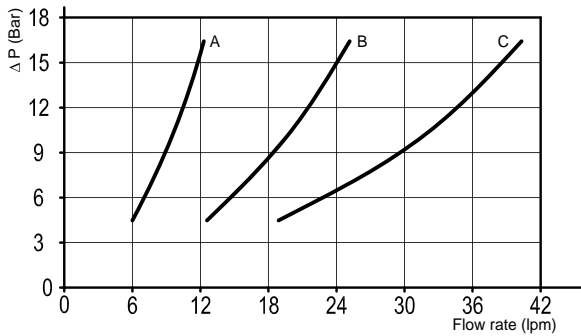
### Dimensions



### Hydraulic Symbol



### Curves



### Features

<b>Max Flow Rate (lpm)</b>	38
<b>Max Pressure (bar)</b>	210
<b>Slippage (top portion flow curve)</b>	± 3%
<b>Flow Division Ratio</b>	50% - 50%
<b>Inlet Capacity (lpm)</b>	A: 6-12 B: 10-24,5 C: 22-45

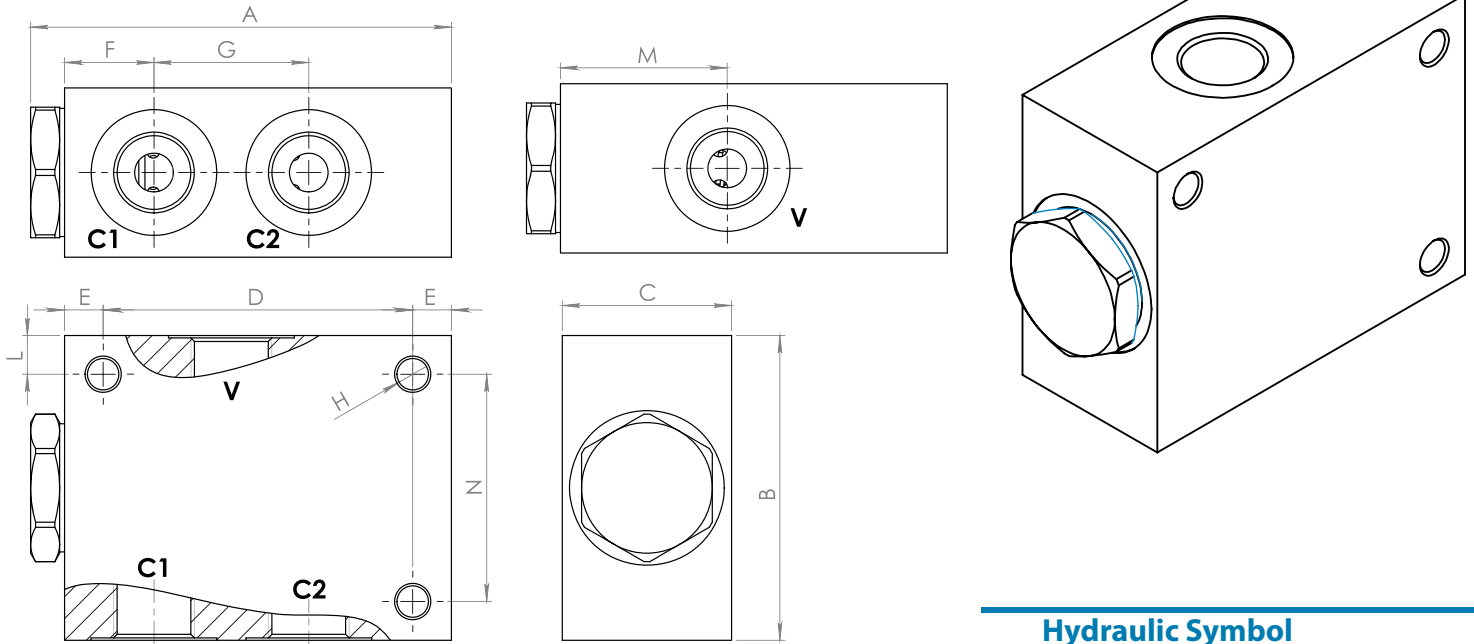
### Ordering Code

**FDCS10** -

### Inlet Capacity (lpm)

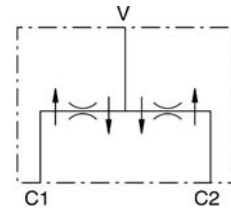
<b>A</b>	6,5 - 12
<b>B</b>	13 - 23
<b>C</b>	24 - 38

Dimensions

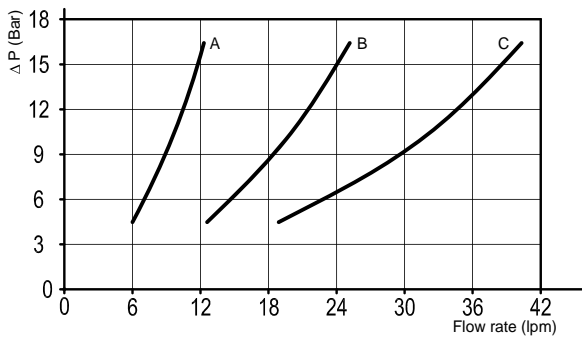


Size	C1 - C2 BSP	V BSP	A	B	C	D	E	F	G	H	L	M	N	Weight kg
02	3/8	3/8	87	63	35	64	8	18,5	32	6,5	8	34,5	47	0,52
25	3/8	1/2	87	63	35	64	8	18,5	32	6,5	8	34,5	47	0,51

Hydraulic Symbol



Curves



Features

Max Flow Rate (lpm)	38
Max Pressure (bar)	210
Slippage (top portion flow curve)	± 3%
Flow Division Ratio	50% - 50%

Materials: Aluminium manifold, hardened steel inner parts.

Ordering Code

FDC

--

-

Port Size BSP

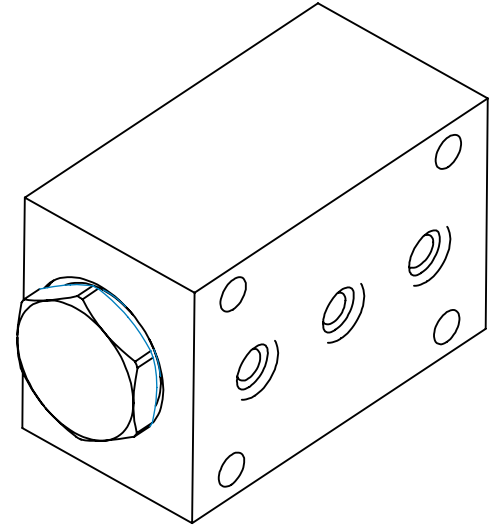
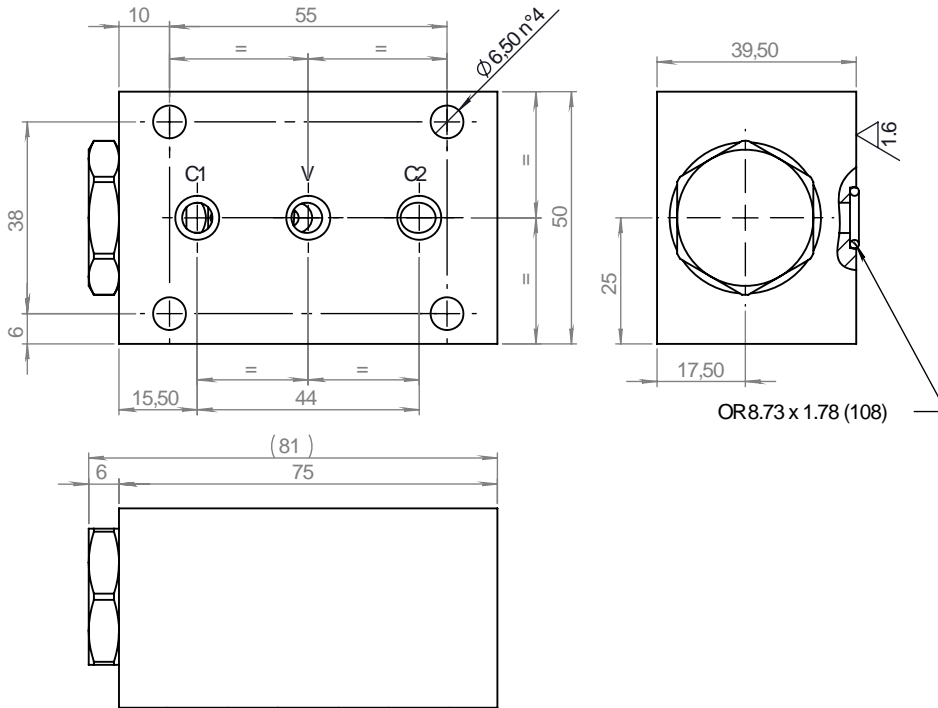
02	3/8	3/8
25	1/2	3/8

Inlet Capacity (lpm)

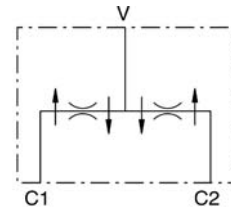
A	6,5 - 12
B	13 - 23
C	24 - 38

Ordering Code Example: FDC25B - 1/2 - 3/8 BSP Ported Manifold, 13/23 lpm Inlet Range Capacity.

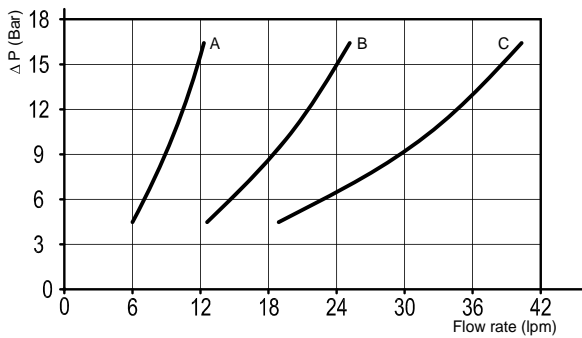
Dimensions



Hydraulic Symbol



Curves



Features

Max Flow Rate (lpm)	38
Max Pressure (bar)	210
Slippage (top portion flow curve)	$\pm 3\%$
Flow Division Ratio	50% - 50%

**Materials:** Aluminium manifold, hardened steel inner parts, BUNA-N seals

Ordering Code

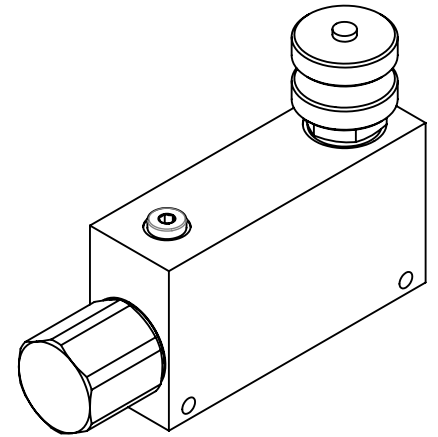
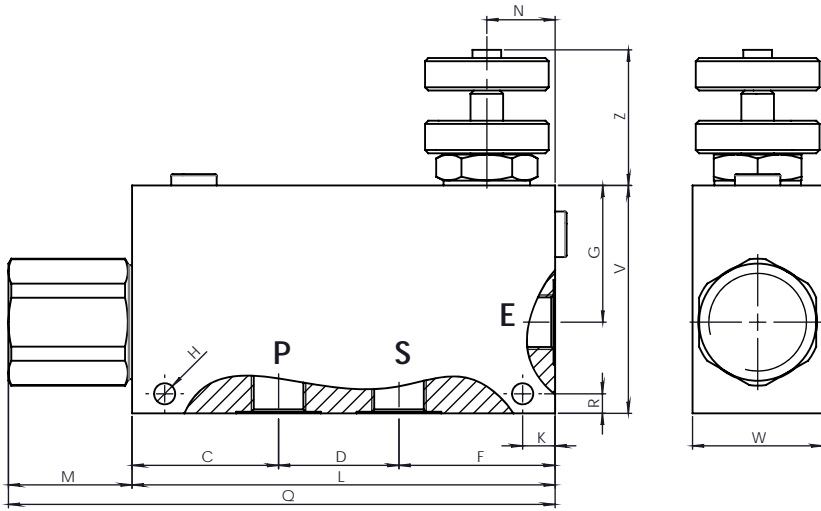
FDCF02

Inlet Capacity (lpm)

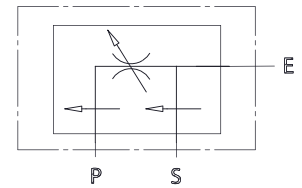
A	6,5 - 12
B	13 - 23
C	24 - 38

**Ordering Code Example:** FDCF02B: Flangeable manifold, 13/23 lpm Inlet Range Capacity.

### Dimensions



### Hydraulic Symbol

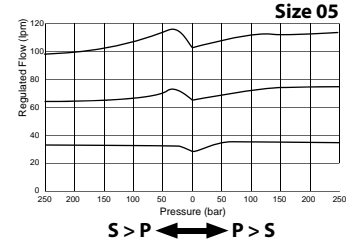
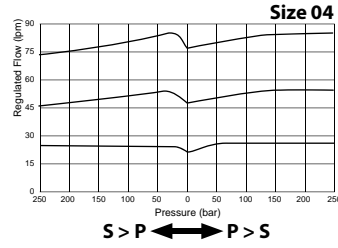
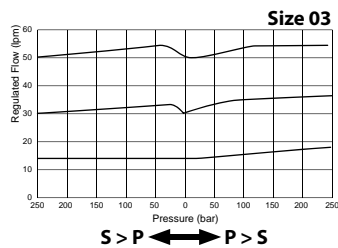
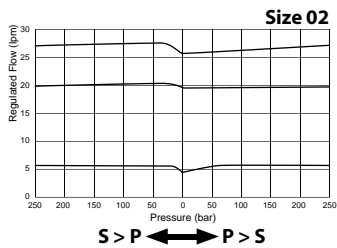


### Features

Size	02	03	04	05
Max Pressure (bar)	260	260	260	260
Max Inlet Flow (lpm)	50	85	150	190
Max Adjustment Flow (lpm)	40	60	90	120

Size	E-P-S BSP	C	D	F	G	H	K	L	M	N	R	Q	V	W	Z	Weight kg
02	3/8	48	37	45	42	8,5	10	130	38	21	6	172	70	40	42 <sub>max</sub>	1,37
03	1/2	48	37	45	42	8,5	10	130	38	21	6	172	70	40	42 <sub>max</sub>	1,37
04	3/4	57	44	54	55	8,5	10	155	35	25	7	190	90	50	45 <sub>max</sub>	2,44
05	1	55	50	50	58	8,5	10	155	35	25	7	190	100	50	45 <sub>max</sub>	2,54

### Curves



**Materials:** Aluminium body, hardened steel inner parts.

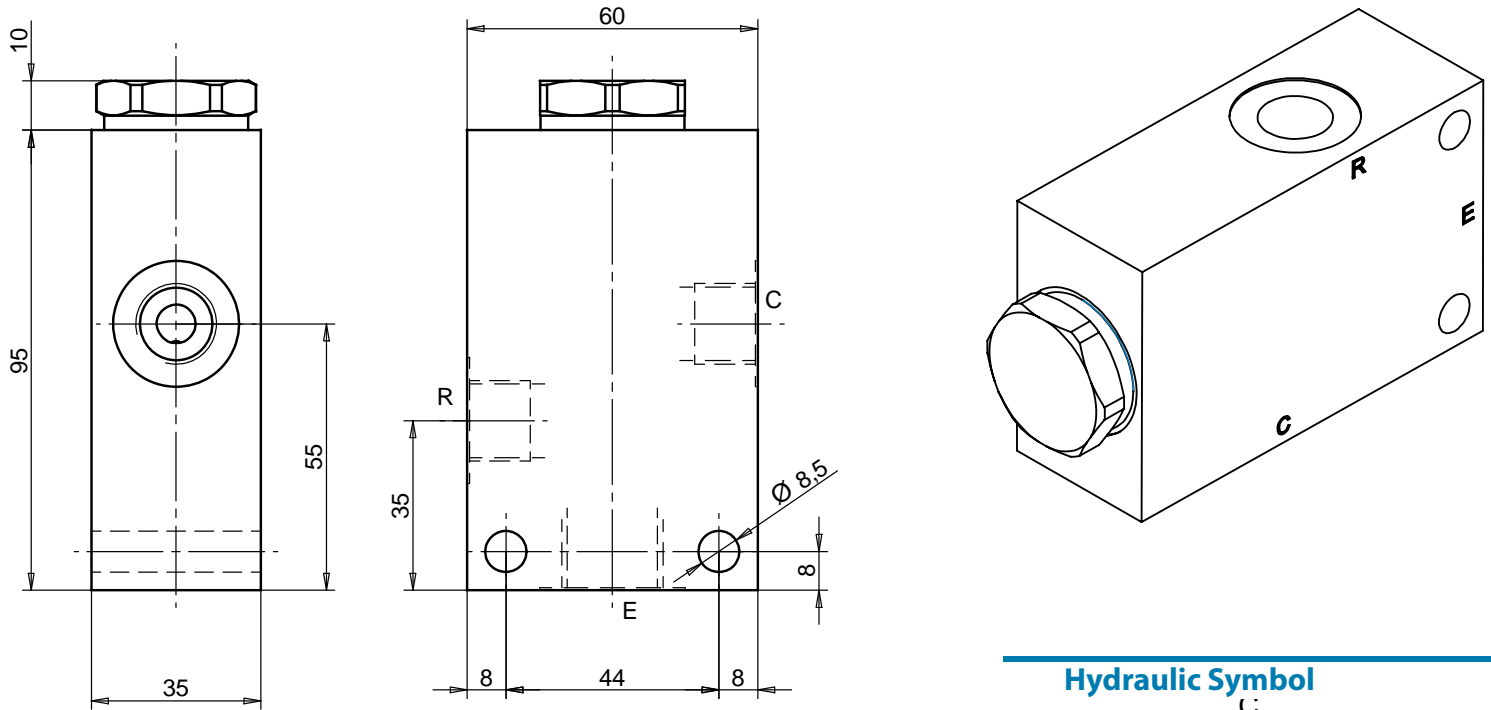
### Ordering Code

**PVEL**    **--**

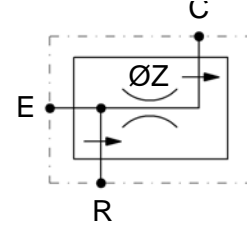
Size BSP	
02	3/8
03	1/2
04	3/4
05	1

**Ordering Code Example:** PVEL03 = 1/2 BSP.

## Dimensions



## Hydraulic Symbol



**Materials:** Zinc plated steel cartridge, hardened steel inner parts.  
Aluminium manifold.

## Features

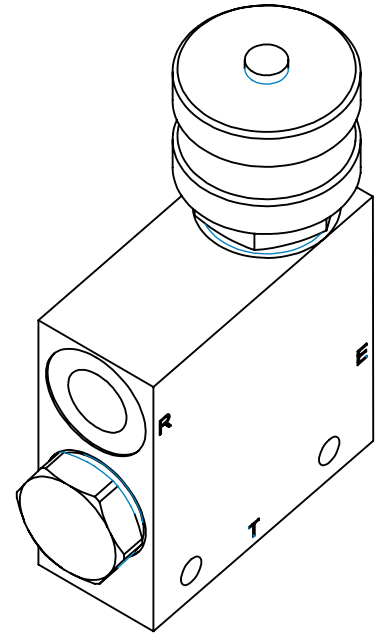
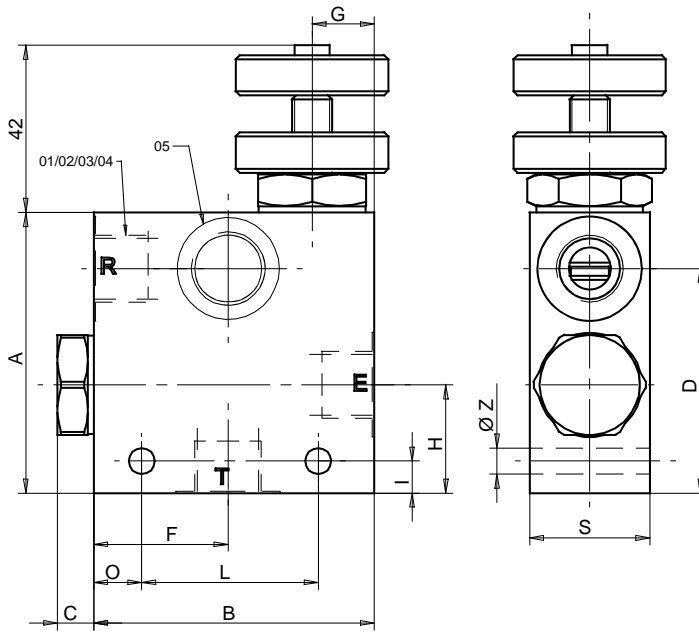
Max Pressure (bar)	210 (Alum) / 350 (Steel)
Max Flow (lpm)	60
Ports	E: G 1/2 R-C: G 3/8

Qc (lpm)	1,2	2,8	5	7,5	9,5	11	16	20	23
Z (mm)	1	1,5	2	2,5	2,8	3	3,5	3,8	4

## Ordering Code

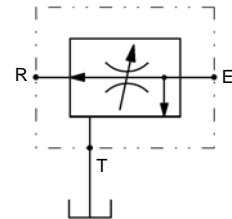
<b>PVELQF</b>		<b>--</b>	
		<b>Size BSP</b>	
<b>02</b>			<b>3/8</b>

### Dimensions

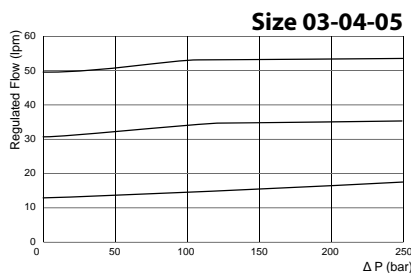
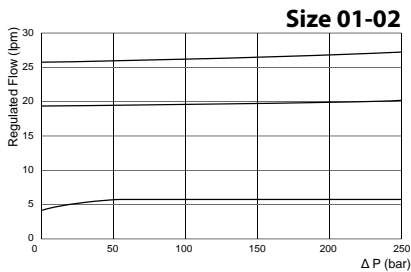


Size	E-R-T	A	B	C	D	F	G	H	I	L	O	S	Z
01	1/4	70	70	9	56	33,5	15,5	27	8	44	12	30	6,5
02	3/8	70	70	9	56	33,5	15,5	27	8	44	12	30	6,5
03	1/2	90	90	24	72	39	20	30	6	64	13	40	6,5
04	3/4	110	110	24	87	44	30	35	7	88	10	50	8,5
05	1	110	110	37,5	87	45	28	46	10	88	10	50	8,5

### Hydraulic Symbol



### Curves



### Features

Size	01	02	03	04	05
Max Pressure (bar)	210				
Ports E-R-T	G 1/4	G 3/8	G 1/2	G 3/4	1"
QE max (lpm)	40	40	90	150	280
QR max (lpm)	25	25	55	90	190

**Materials:** Aluminium body, hardened steel inner parts.

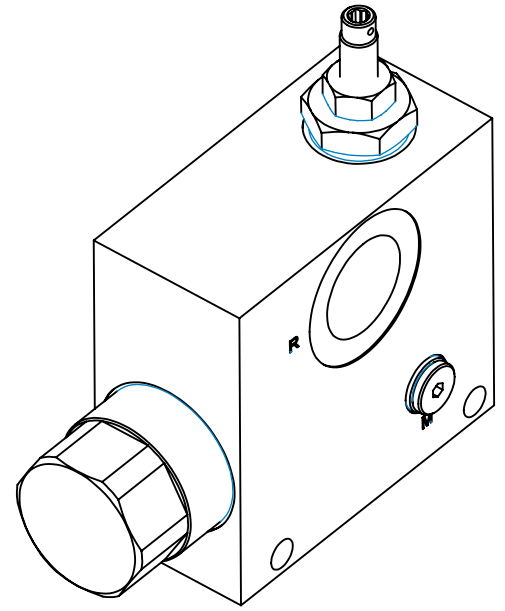
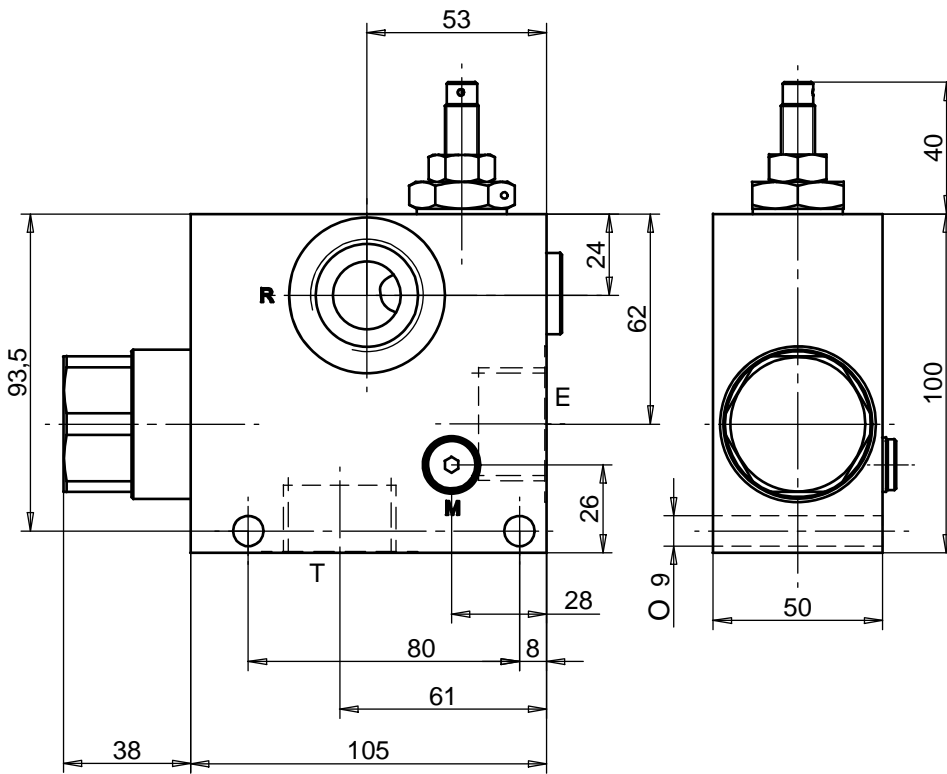
### Ordering Code

**PVET** - -

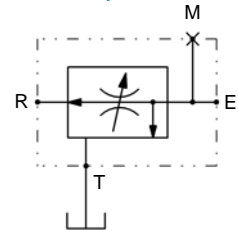
	Size BSP
01	1/4
02	3/8
03	1/2
04	3/4
05	1"

**Ordering Code Example:** PVET03 = 1/2 BSP.

Dimensions



Hydraulic Symbol



Features

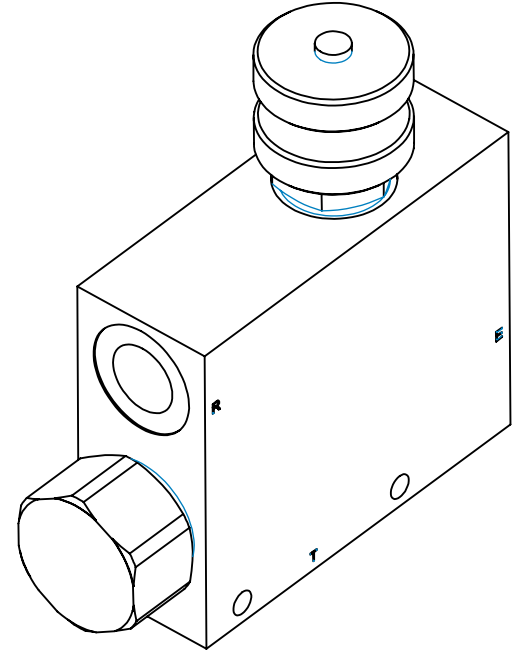
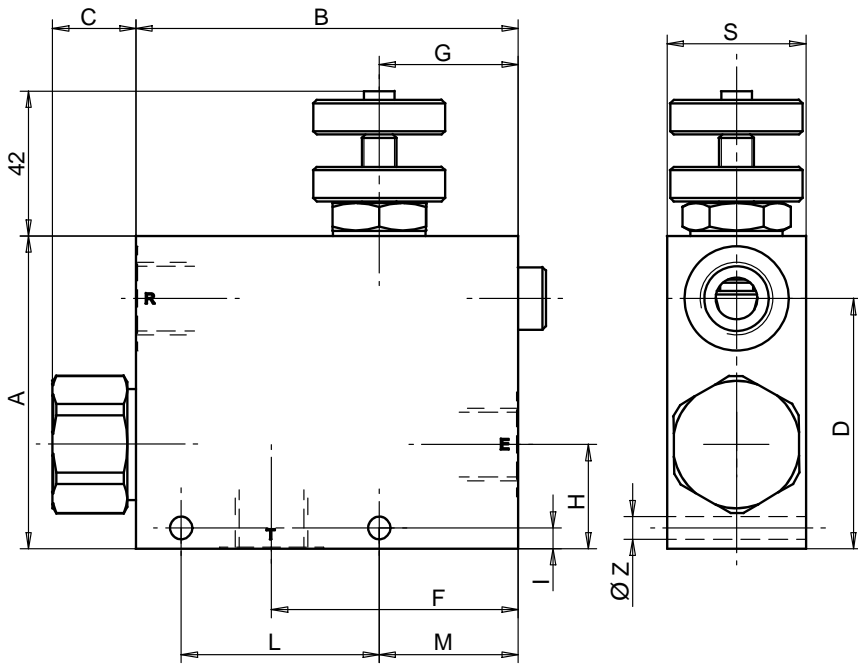
Max Pressure (bar)	350
QE max (lpm)	280
QE max (lpm)	190
Ports	E-R-T: G 1 M: G 1/8

**Materials:** Zinc plated steel manifold, hardened steel inner parts.

Ordering Code

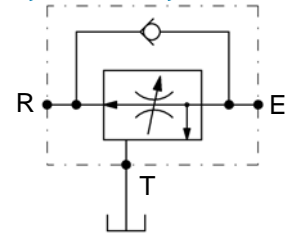
PVETIH 05

Dimensions



Size	A	B	C	D	F	G	H	I	L	M	S	Z
02	90	110	24	72	71	40	30	6	57	40	40	6,5
03	90	110	24	72	71	40	30	6	57	40	40	6,5
04	110	130	24	87	86	50	35	7	70	50	50	8,5

Hydraulic Symbol



Features

Size	02	03	04
Max Pressure (bar)	210		
Ports E-R	G 3/8	G 1/2	G 3/4
QE max (lpm)	55	90	150
QR max (lpm)	30	90	150

**Materials:** Zinc plated steel cartridge, hardened steel inner parts.  
Aluminium manifold.

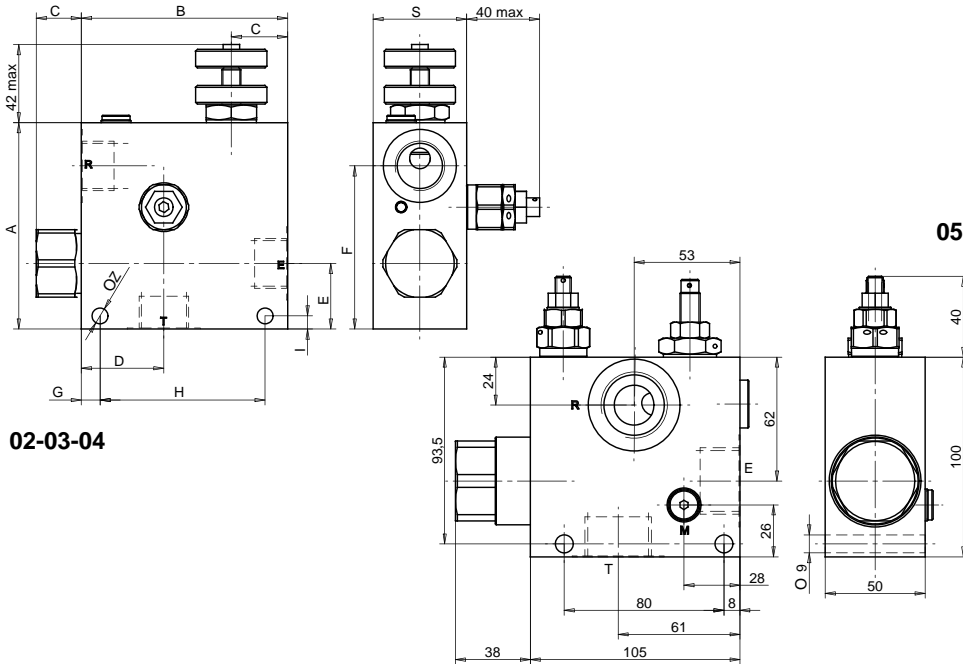
Ordering Code

PVETR - -

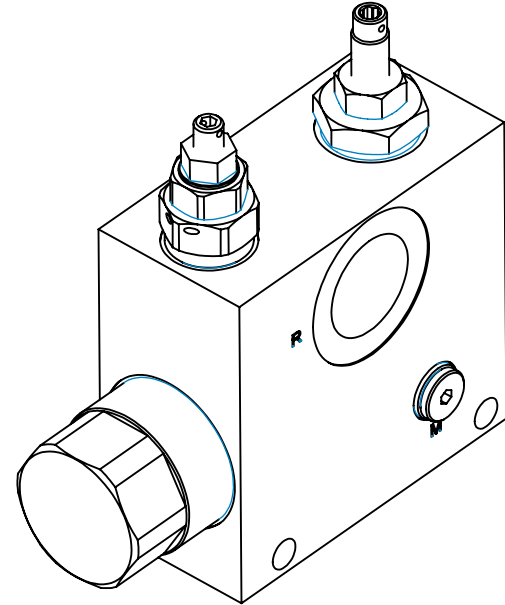
	Size BSP
02	3/8
03	1/2
04	3/4



Dimensions

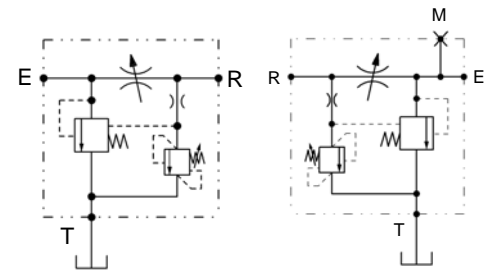


02-03-04



Size	A	B	C	D	E	F	G	H	I	S	Z
02	90	90	20	39	30	72	13	64	6	40	6,5
03	90	90	20	39	30	72	13	64	6	40	6,5
04	110	110	30	44	35	87	10	88	7	50	8,5
05	Refer to dimensioned drawing above										

Hydraulic Symbol



Features

Size	02	03	04	05
Max Pressure (bar)	210 Alum	210 Alum	210 Alum	350 Steel
QE max (lpm)	55	90	150	280
QR max (lpm)	30	55	90	190
Ports	E-R-T: G1 / M:G 1/8			

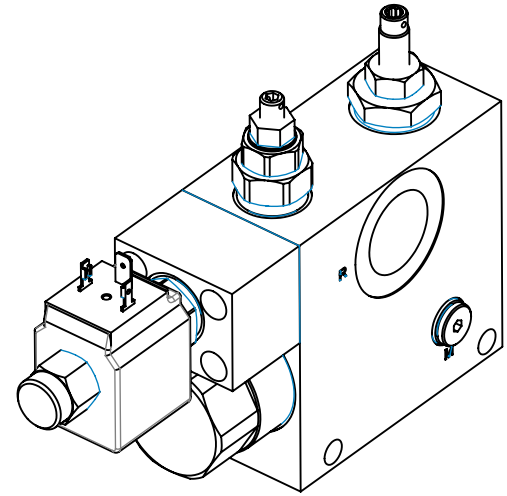
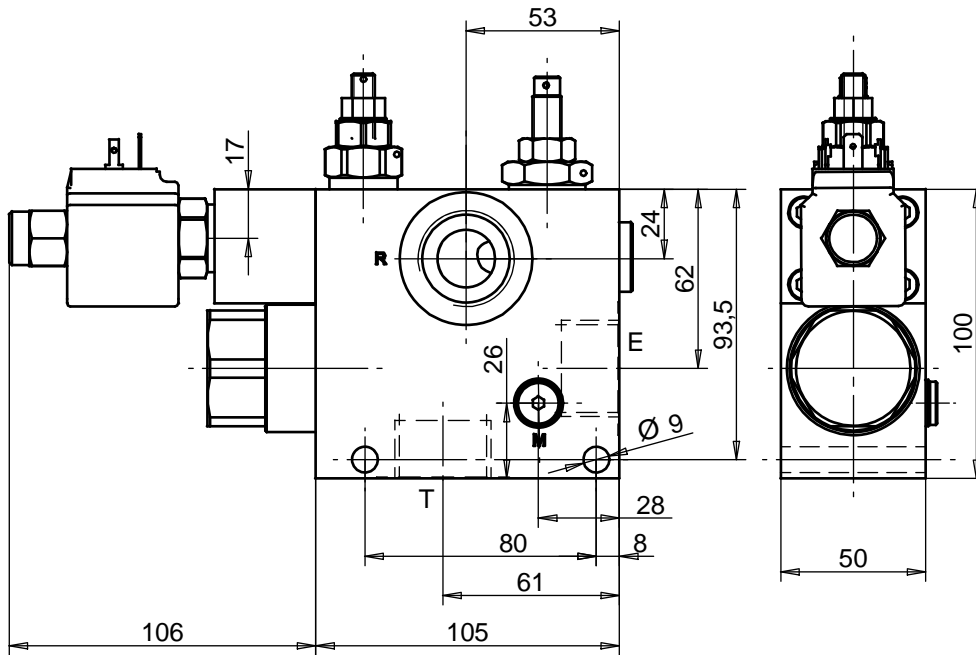
Materials: Zinc plated steel manifold, hardened steel inner parts.

Ordering Code

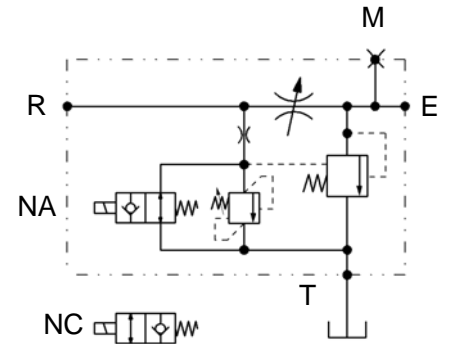
PVETP - -

	Size BSP
02	3/8
03	1/2
04	3/4
05	1

## Dimensions



## Hydraulic Symbol



## Features

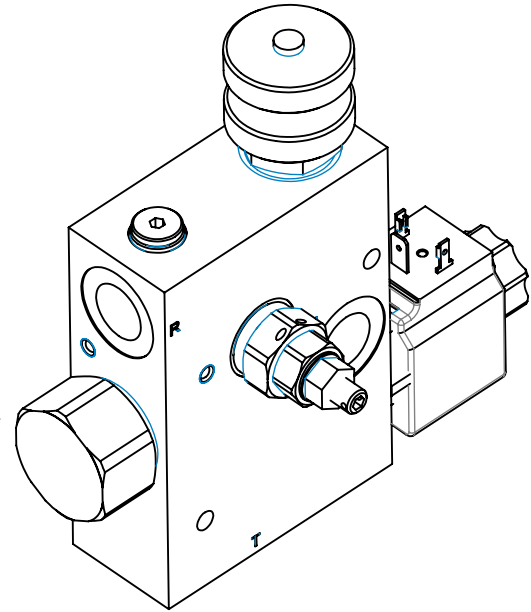
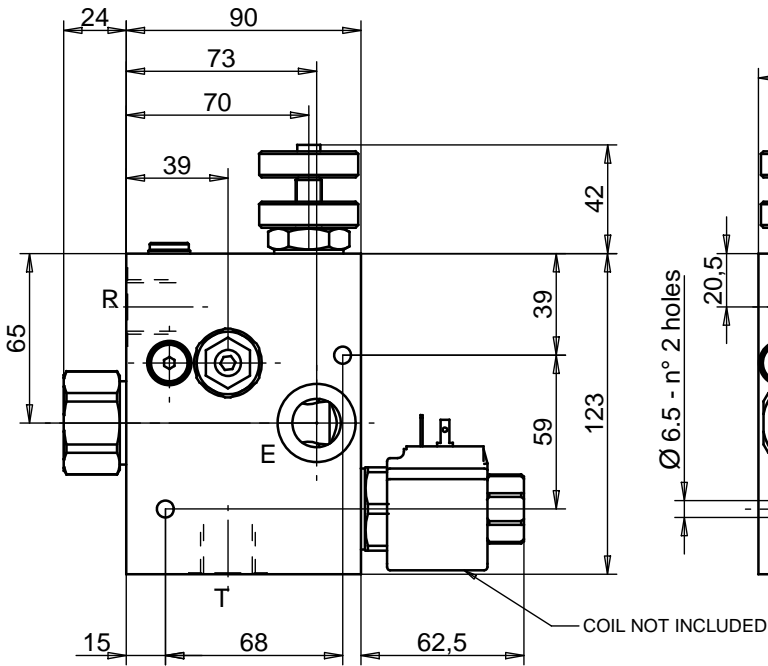
Max Pressure (bar)	350
QE max (lpm)	280
QR max (lpm)	190
Ports	E-R-T: G 1 M: G 1/8

**Materials:** Zinc plated steel manifold, hardened steel inner parts.

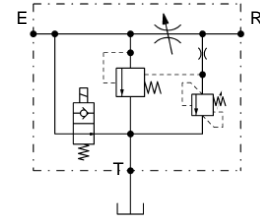
## Ordering Code

**PVETPE 05**

Dimensions



Hydraulic Symbol



Features

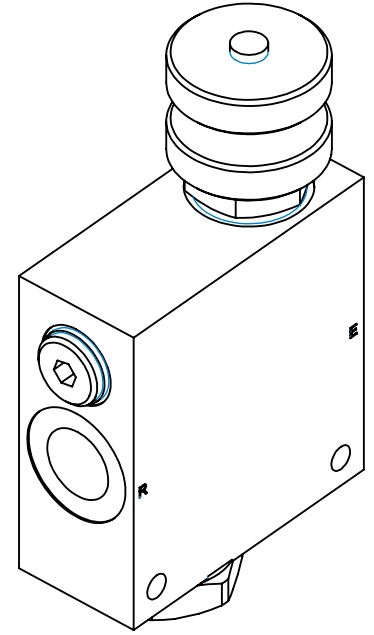
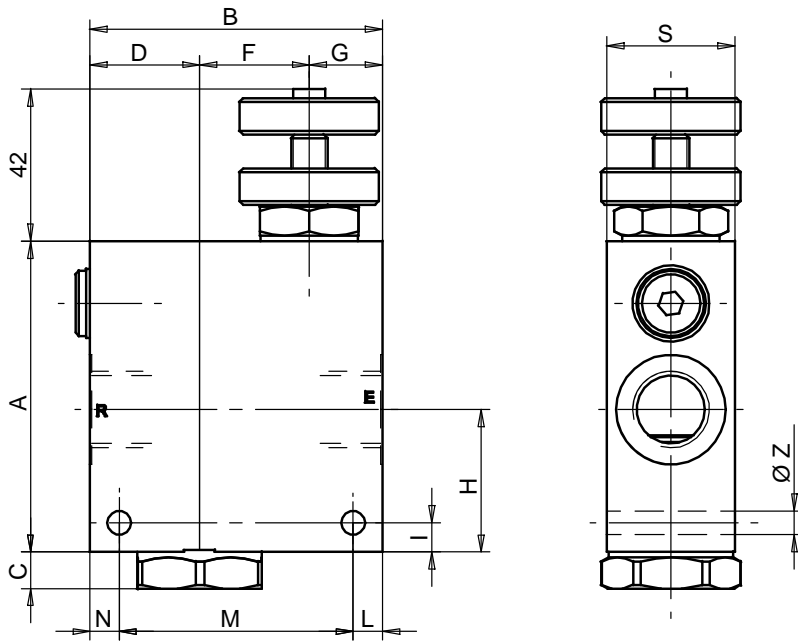
Size	03
Max Pressure (bar)	210
Max adm. inlet flow (lpm)	90
Max delivery in priority flow (lpm)	55
Ports	E-R-T: G 1/2

**Materials:** Zinc plated steel cartridge, hardened steel inner parts.  
Aluminium manifold.

Ordering Code

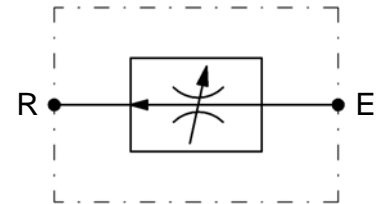
PVETPB Y 03

### Dimensions



Size	A	B	C	D	F	G	H	I	L	M	N	S	Z
01	70	70	9	29,5	23,5	17	29	8	10	50	10	30	6,5
02	70	70	9	29,5	23,5	17	29	8	10	50	10	30	6,5
03	85	80	10	30	30	20	39	8	8	64	8	35	6,5
04	100	100	10	36,5	38,5	25	44	10	10	82	8	50	8,5
05	108	108	10	41,5	36,5	30	46,5	10	18	82	8	50	8,5

### Hydraulic Symbol



### Features

Size	01	02	03	04	05
Max Pressure (bar)	210				
QE (lpm)	25				
Ports E-R	G 1/4	G 3/8	G 1/2	G 3/4	G 1
QE max (lpm)	25	25	55	90	190

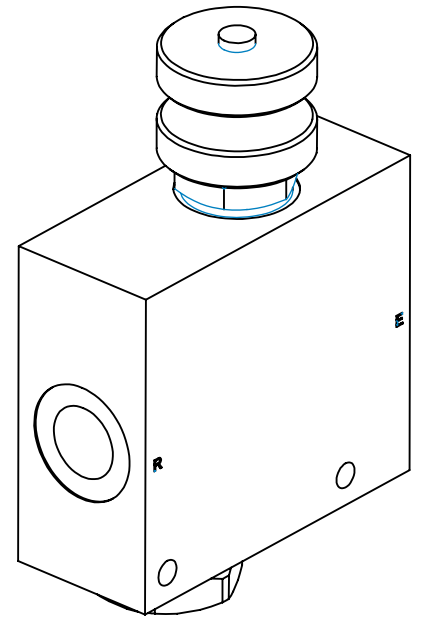
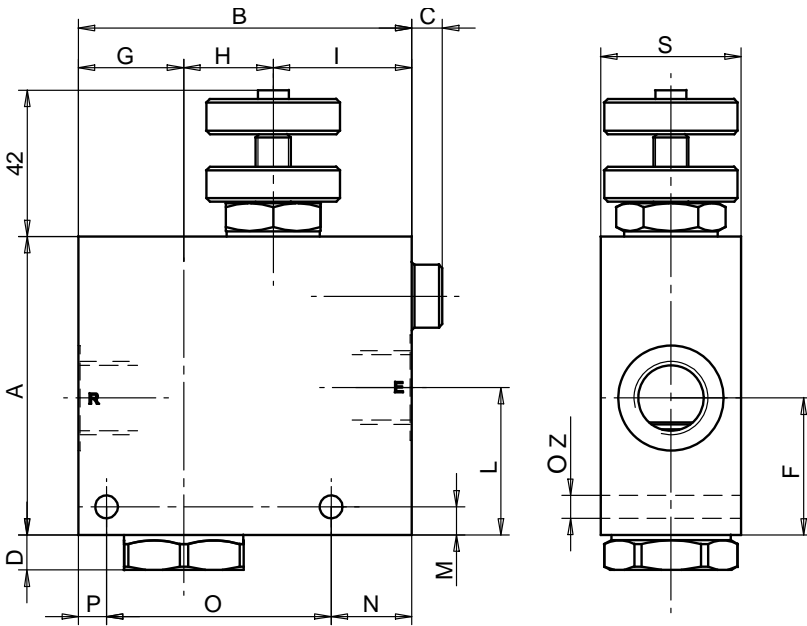
**Materials:** Zinc plated steel cartridge, hardened steel inner parts. Aluminium manifold.

### Ordering Code

**PVED**    **--**

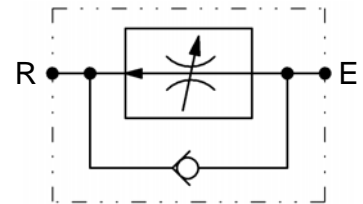
	Size BSP
<b>01</b>	1/4
<b>02</b>	3/8
<b>03</b>	1/2
<b>04</b>	3/4
<b>05</b>	1

### Dimensions



Size	A	B	C	D	F	G	H	I	L	M	N	O	P	S	Z
<b>02</b>	85	95	9,5	10	39	30	26	39	43,5	8	23	64	8	40	6,5
<b>03</b>	85	95	9,5	10	39	30	26	39	42	8	23	64	8	40	6,5
<b>04</b>	100	130	15,5	10	44	35	40	55	46	10	40	82	8	50	8,5
<b>05</b>	110	145	11,5	10	46	40	40	65	44	10	55	82	8	50	8,5

### Hydraulic Symbol



### Features

Size	02	03	04	05
<b>Max Pressure (bar)</b>	210			
<b>Ports E-R</b>	G 3/8	G 1/2	G 3/4	G 1
<b>QE max (lpm)</b>	30	55	90	190

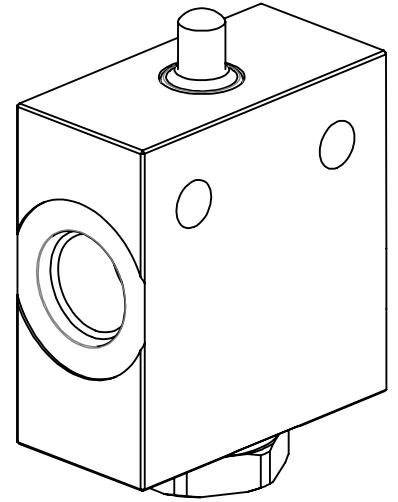
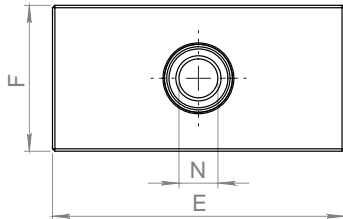
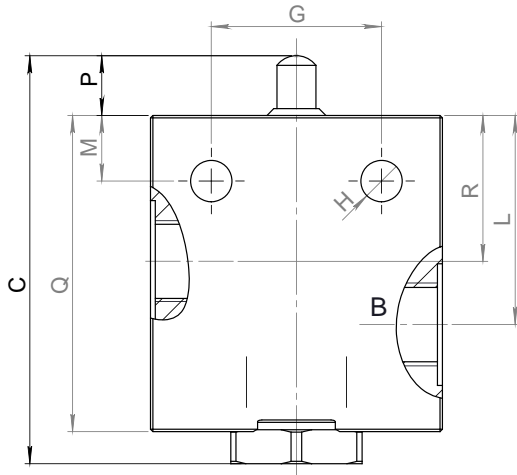
**Materials:** Zinc plated steel cartridge, hardened steel inner parts.  
Aluminium manifold.

### Ordering Code

**PVEDR**    - -

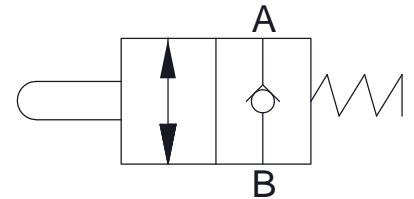
	Size BSP
<b>02</b>	3/8
<b>03</b>	1/2
<b>04</b>	3/4
<b>05</b>	1

### Dimensions



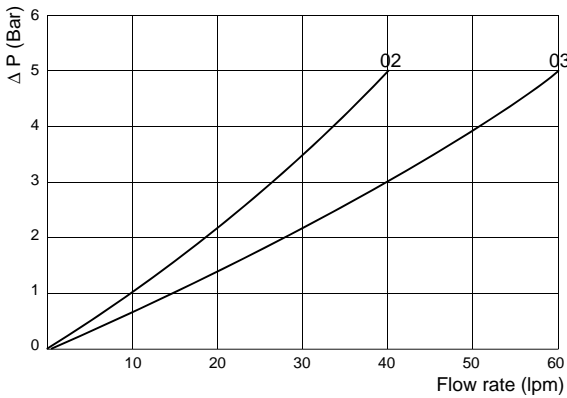
Size	C	D BSP	E	F	G	H	L	M	N	P	Q	R	Hex	Weight kg
02	83,9	3/8	60	30	35	8,5	43	13,5	8	12,3	65	30	27	0,80
03	95,5	1/2	70	35	40	8,5	51	13,5	12	11,8	77	37	32	1,28

### Hydraulic Symbol



### Curves

**B → A**



### Features

Size	02	03
Max Pressure (bar)	350	350
Max Flow Rate (lpm)	30	60
Stroke (mm)	10	12
Spring Bias (Nm)	20	20

**Materials:** Zinc plated steel body, hardened steel inner parts.

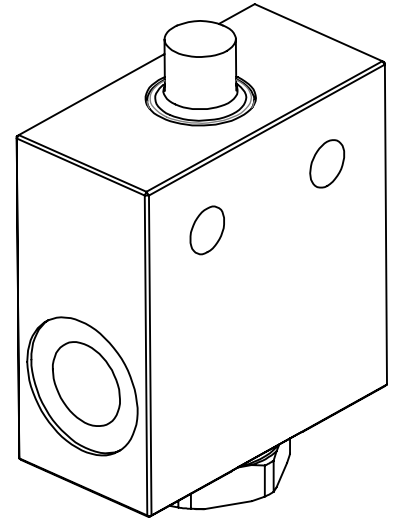
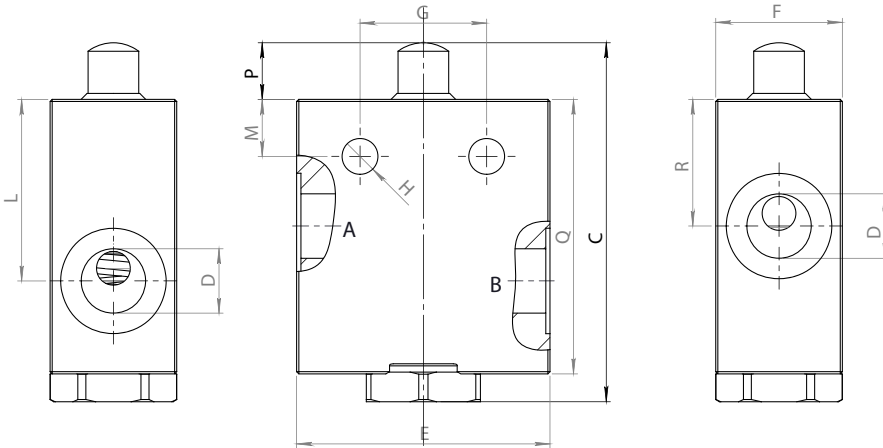
### Ordering Code

**ESCS**    **--**

	Size BSP
<b>02</b>	3/8
<b>03</b>	1/2

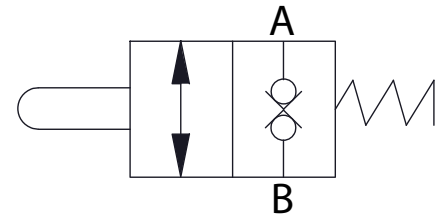
**Ordering Code Example:** ESCS02 = 3/8 BSP.

### Dimensions



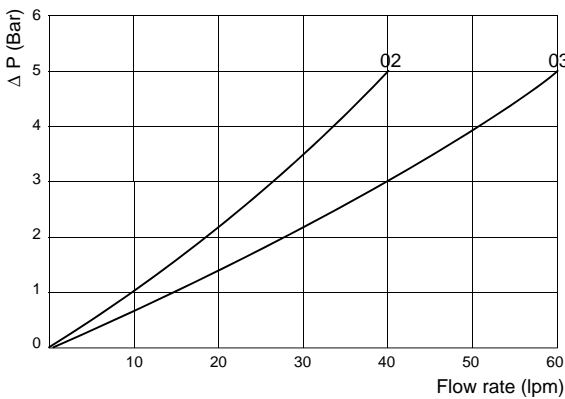
Size	C	D BSP	E	F	G	H	L	M	N	P	Q	R	Hex	Weight kg
<b>02</b>	85	3/8	60	30	30	8,5	43	13,5	12	13,4	65	30	27	0,81
<b>03</b>	97	1/2	70	35	40	8,5	51	13,5	16	13,3	77	37	32	1,28

### Hydraulic Symbol



### Curves

**B** ↔ **A**



### Features

Size	02	03
Max Pressure (bar)	350	350
Max Flow Rate (lpm)	30	60
Stroke (mm)	10	12
Spring Bias (Nm)	20	20

**Materials:** Zinc plated steel body, hardened steel inner parts.

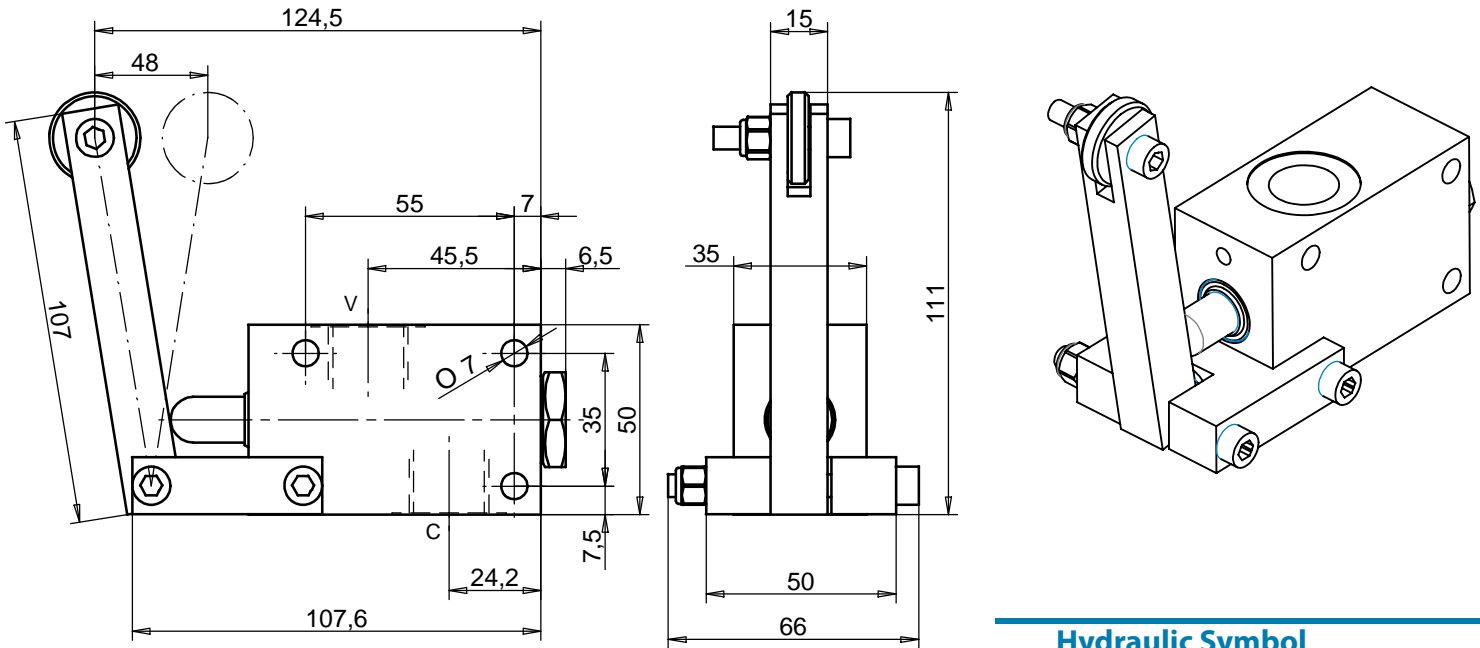
### Ordering Code

**ESCD**    **--**

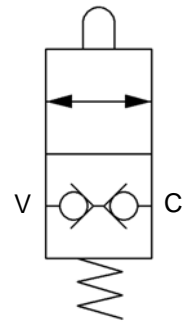
	Size BSP
<b>02</b>	3/8
<b>03</b>	1/2

**Ordering Code Example:** ESCD02 = 3/8 BSP.

## Dimensions

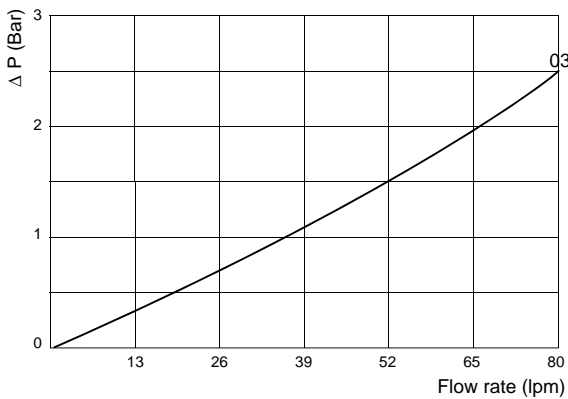


## Hydraulic Symbol



## Curves

V ↔ C



## Features

Max Pressure	400 bar
Max Flow	80 lpm
Ports	V-C: G 1/2

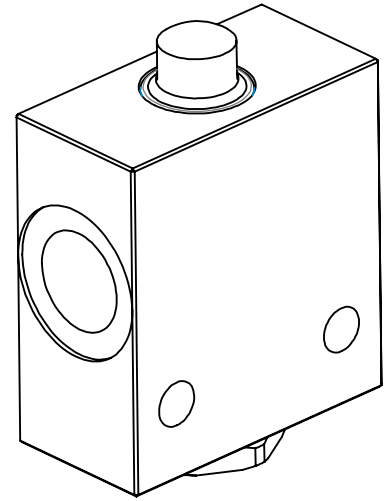
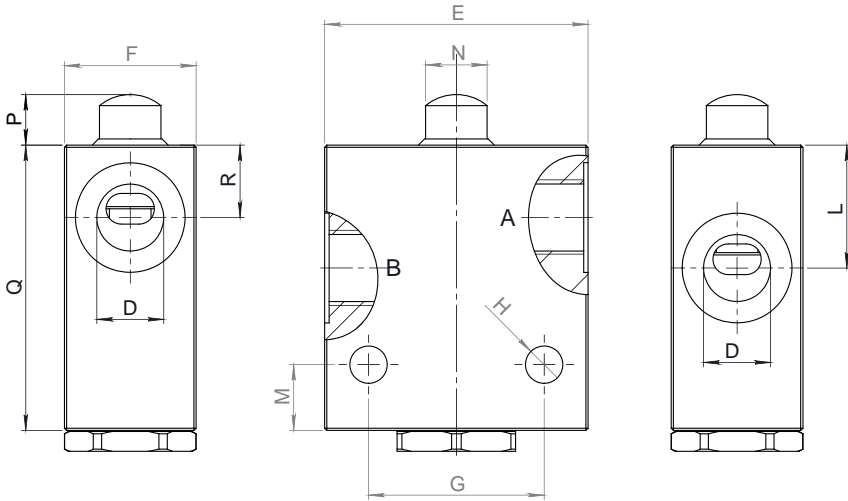
**Materials:** Zinc plated steel body, hardened steel inner parts.

## Ordering Code

**ESDCM 03**

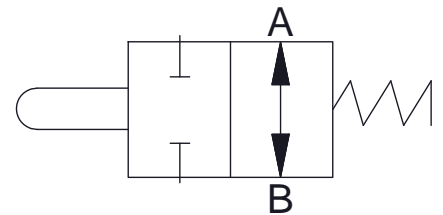


### Dimensions



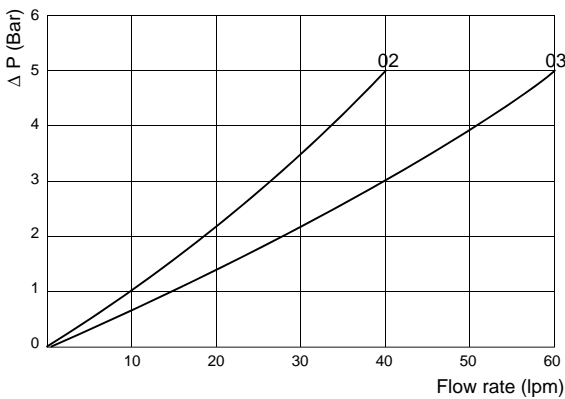
Size	C	D BSP	E	F	G	H	L	M	N	P	Q	R	Weight kg
02	81,25	3/8	60	30	40	8,5	28	15	14	11,5	65	16,5	0,78
03	81,25	1/2	60	30	40	8,5	37	15	14	11,5	65	16,5	0,81

### Hydraulic Symbol



### Curves

**B** ↔ **A**



### Features

Size	02	03
Max Pressure (bar)	350	350
Max Flow Rate (lpm)	30	60
Stroke (mm)	12	12
Spring Bias (Nm)	100	100

**Materials:** Zinc plated steel body, hardened steel inner parts.

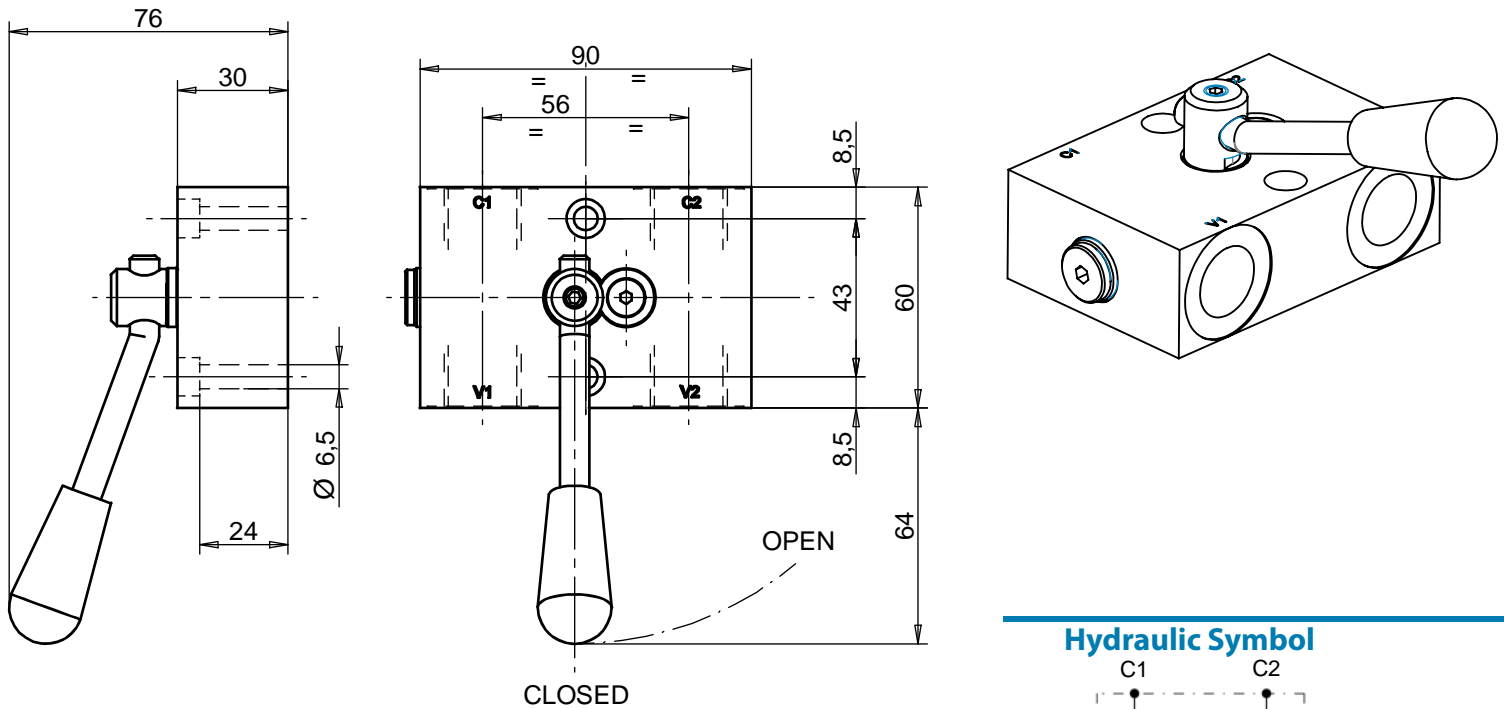
### Ordering Code

**ESOP** - -

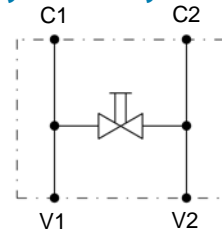
	Size BSP
<b>02</b>	3/8
<b>03</b>	1/2

**Ordering Code Example:** ESOP02 = 3/8 BSP.

Dimensions



Hydraulic Symbol



Features

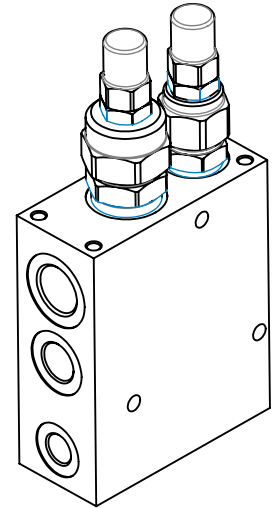
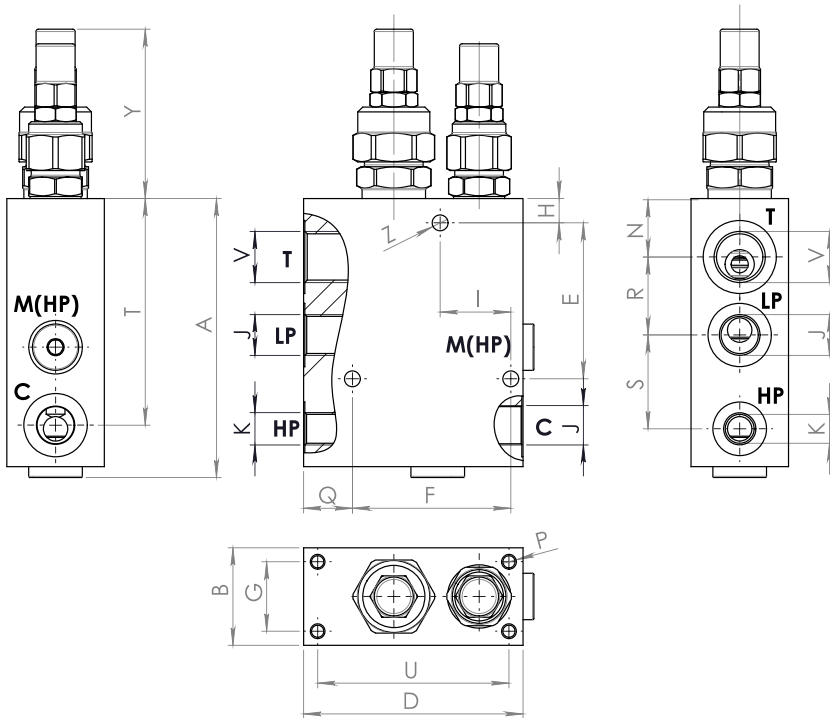
Max Pressure (bar)	210
Max Flow (lpm)	35
Ports (bsp)	1/2

**Materials:** Zinc plated steel cartridge, hardened steel inner parts.  
Aluminium manifold.

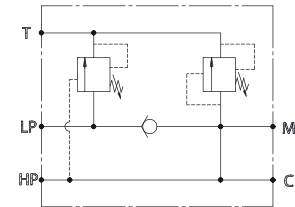
Ordering Code

VDF 03

### Dimensions

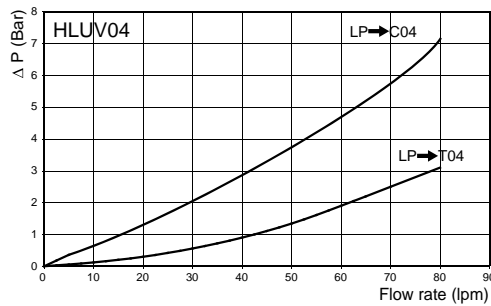
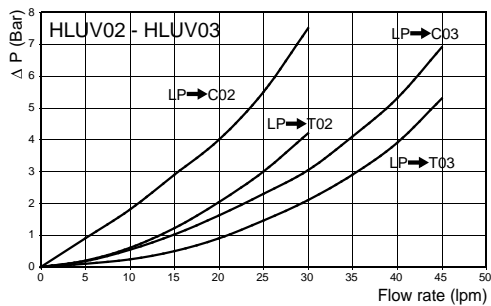


### Hydraulic Symbol



Size	A	B	D	E	F	G	H	I	J BSP	K BSP	V BSP	N	P	Q	R	S	T	U	Y	Z	Weight kg
02	110	40	90	64	65	28,5	10	29	3/8	1/4	1/2	22	M6	20	36	36	94,5	78,5	69,5	6,5	2,42
03	110	40	90	64	65	28,5	10	29	1/2	3/8	3/4	22	M6	20	36	36	94,5	78,5	69,5	6,5	2,10
04	125	50	110	65	80	38	10	37	3/4	1/2	1	22	M6	25	43	40	101	98	72	6,5	5,15

### Curves



### Features

SIZE	02	03	04
Max Pressure (bar)	350	350	350
Max Flow Rate LP C (lpm)	30	45	80

**Materials:** Zinc plated steel cartridge, hardened steel inner parts.  
Steel manifold.

### Ordering Code

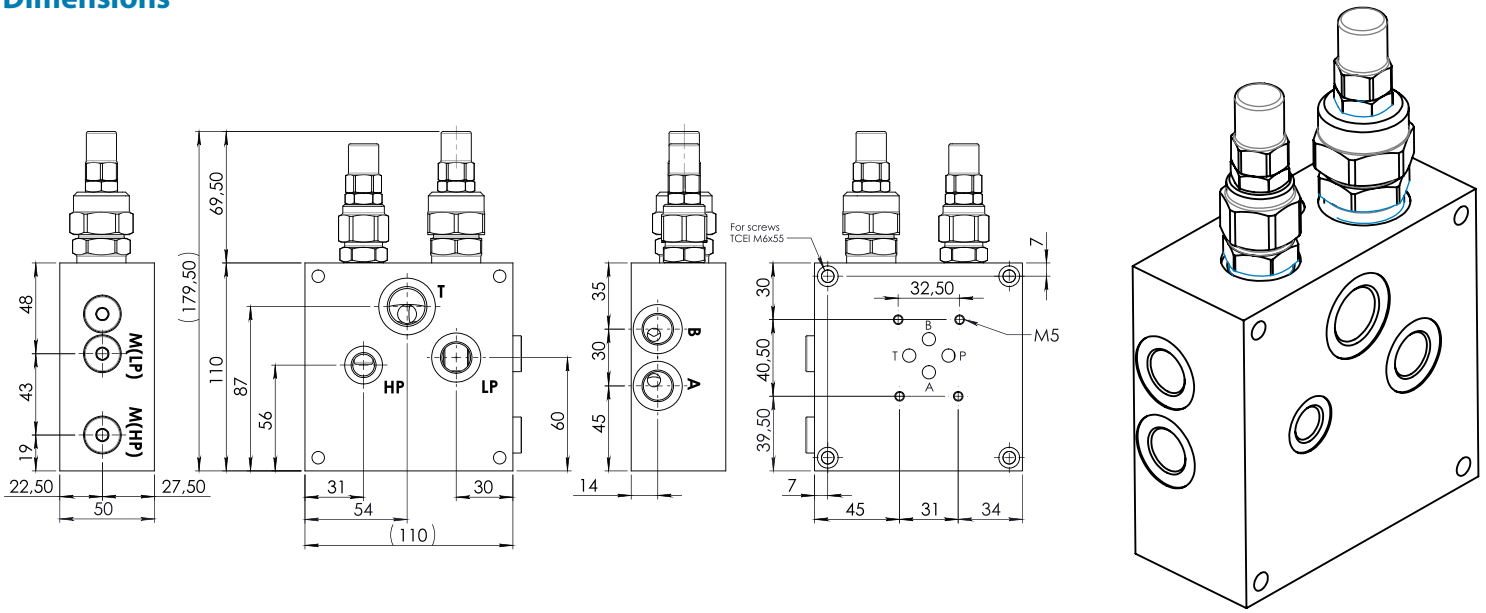
**HLUV**    --    --    --

Port Size BSP	LP - Spring (bar)		
	02	03	04
02	3/8		
03	1/2	10	20
04	3/4	10	20

HP - Spring (bar)	LP - Spring (bar)		
	02	03	04
20	40-210	40-210	20-260
30	100-350	100-350	120-350

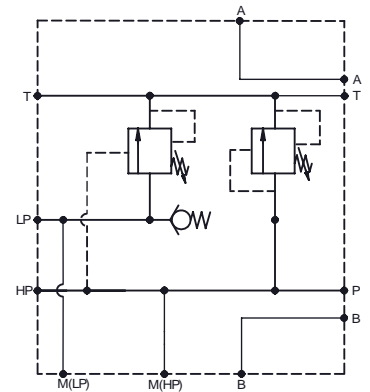
**Ordering Code Example: HLUV032030** = Hi-Low 1/2 BSP, LP valve 20-260 bar, HP valve 100-350 bar.

### Dimensions

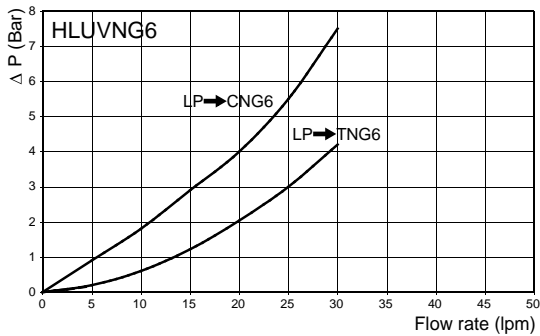


HP BSP	LP BSP	T BSP	A BSP	B BSP	M(HP) BSP	M(LP) BSP
1/4	3/8	1/2	3/8	3/8	1/4	1/4

### Hydraulic Symbol



### Curves



### Features

Max Flow Rate LP → C (lpm) **30**

**Materials:** Zinc plated steel cartridge, hardened steel inner parts.  
Aluminium manifold.

### Ordering Code

**HLUV NG6** -- --

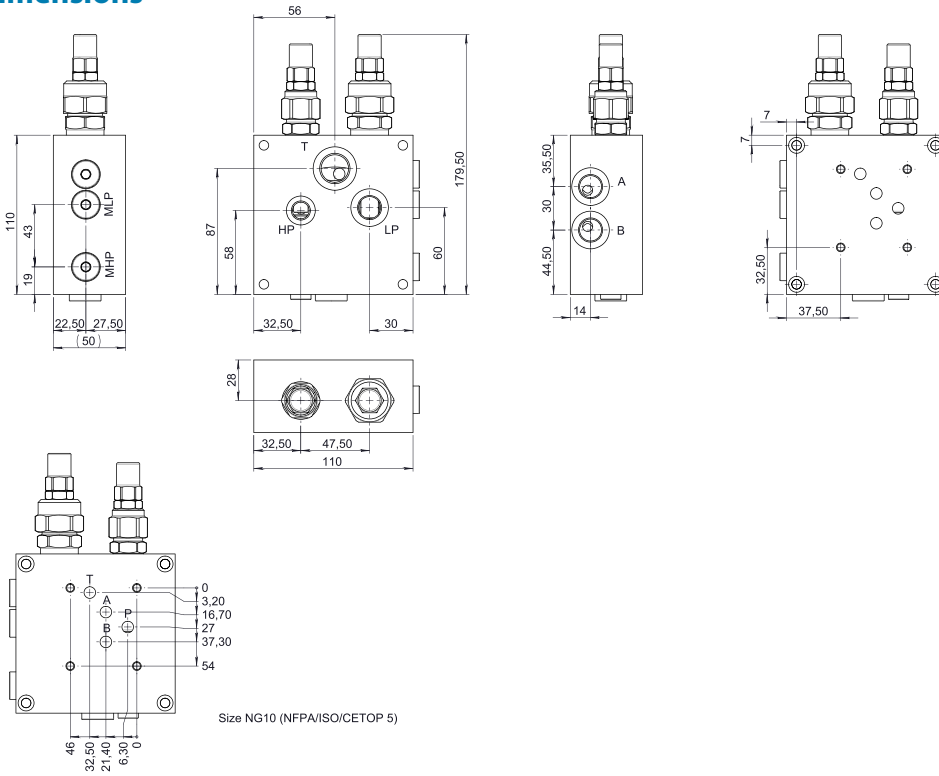
#### LP - Spring (bar)

<b>10</b>	5-50
<b>20</b>	20-260

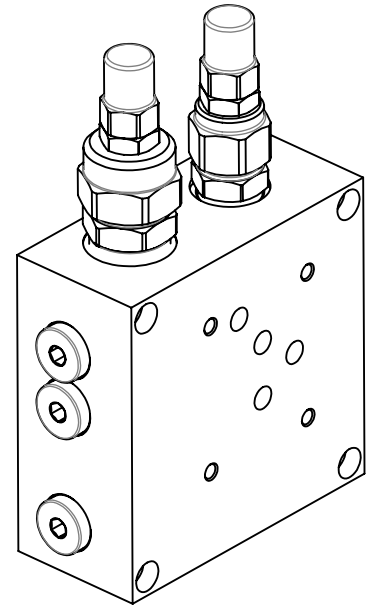
#### HP - Spring (bar)

<b>20</b>	40-210
<b>30</b>	100-350

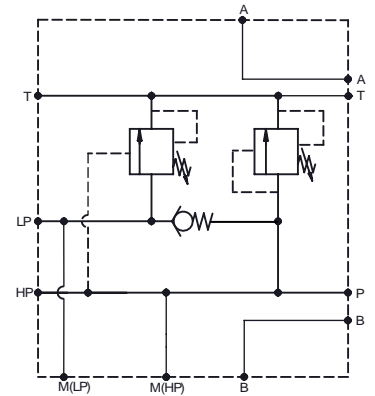
### Dimensions



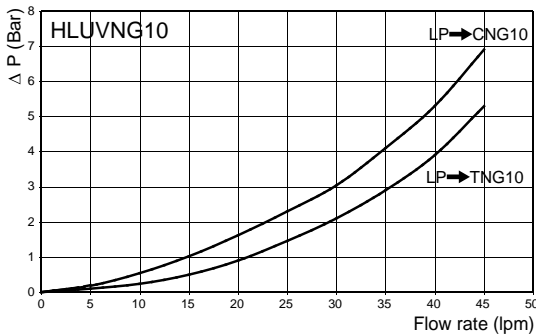
HP BSP	LP BSP	T BSP	A BSP	B BSP	M(HP) BSP	M(LP) BSP
1/4	3/8	1/2	3/8	3/8	1/4	1/4



### Hydraulic Symbol



### Curves



### Features

Max Flow Rate LP→C (lpm) **45**

**Materials:** Zinc plated steel cartridge, hardened steel inner parts.  
Aluminium manifold.

### Ordering Code

**HLUV NG10** -- --

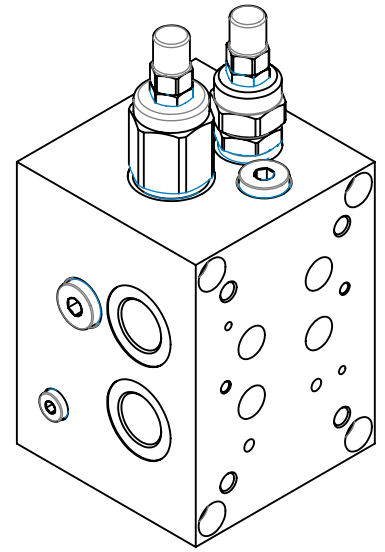
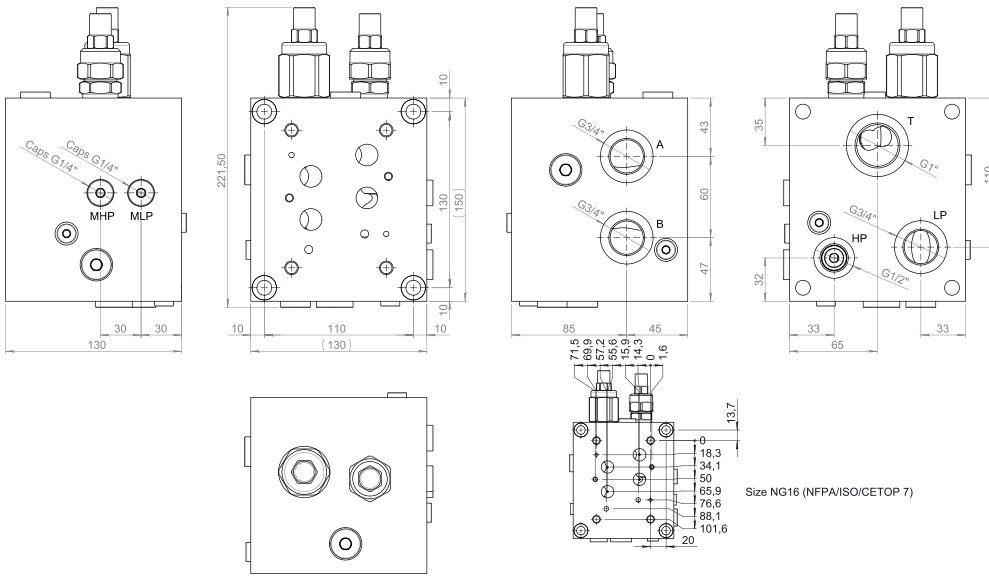
#### LP - Spring (bar)

<b>10</b>	5-50
<b>20</b>	20-260

#### HP - Spring (bar)

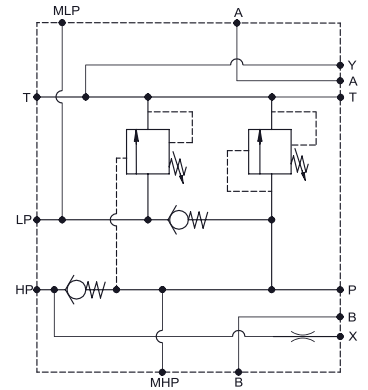
<b>20</b>	40-210
<b>30</b>	100-350

### Dimensions

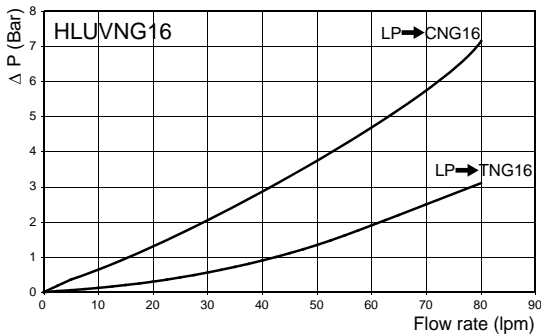


HP BSP	LP BSP	T BSP	A BSP	B BSP	M(HP) BSP	X	Y
1/2	3/4	1	3/4	3/4	1/4	1/4	1/4

### Hydraulic Symbol



### Curves



### Features

Max Flow Rate LP→C (lpm) **80**

**Materials:** Zinc plated steel cartridge, hardened steel inner parts.  
Aluminium manifold.

### Ordering Code

**HLUV NG16** -- --

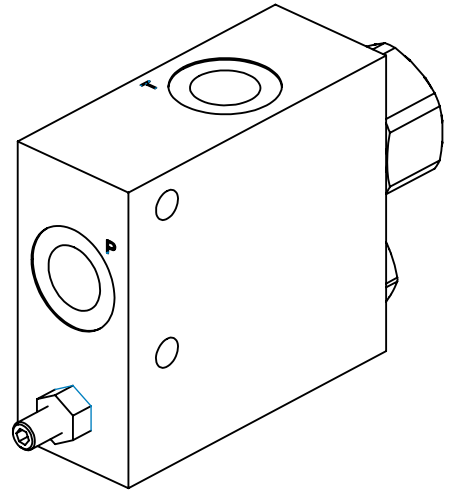
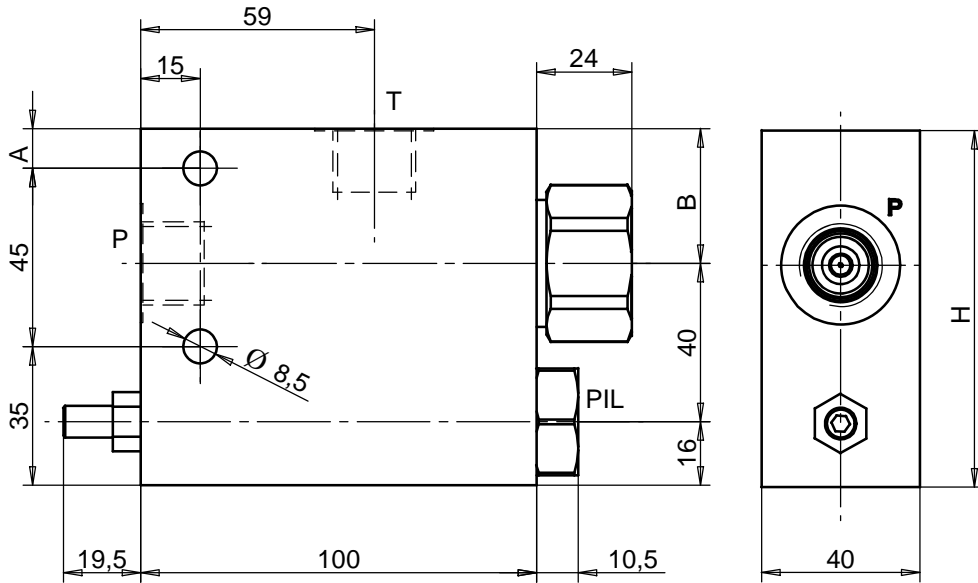
#### LP - Spring (bar)

<b>10</b>	5-120
<b>20</b>	50-350

#### HP - Spring (bar)

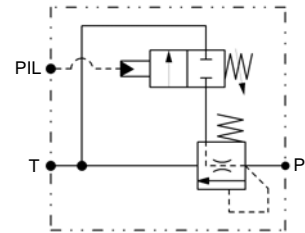
<b>20</b>	20-260
<b>30</b>	120-350

### Dimensions

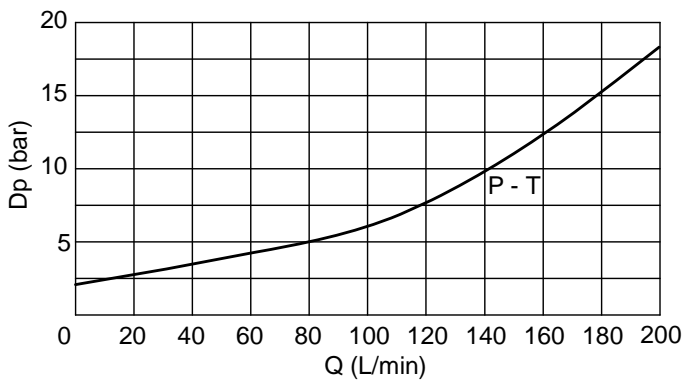


Size	A	B	H	P-T-PIL bsp
<b>03</b>	10	34	90	1/2
<b>04</b>	25	49	105	3/4

### Hydraulic Symbol



### Curves



### Features

<b>Max Pressure</b>	250 bar
<b>Std. Pressure range</b>	100 - 300 bar

**Materials:** Zinc plated steel cartridge, hardened steel inner parts.  
Aluminium manifold.

### Ordering Code

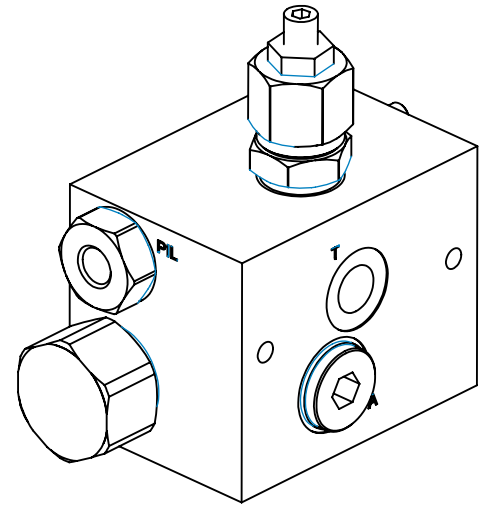
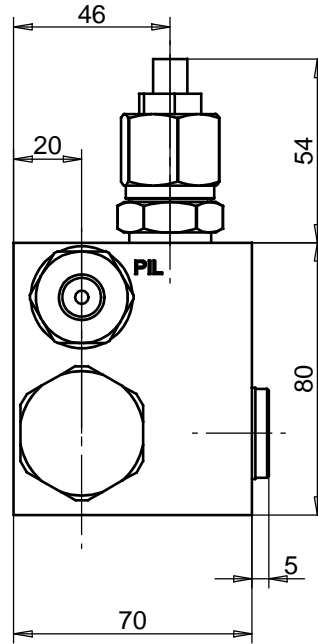
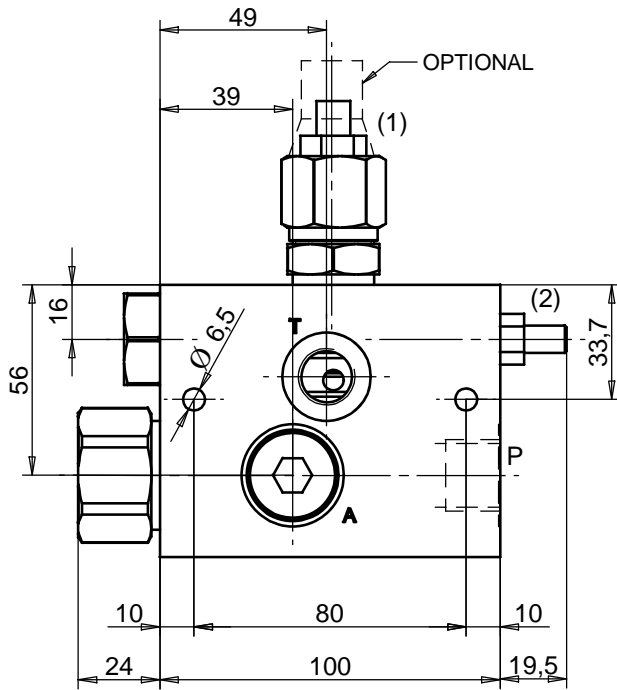
**VMSIP**

--

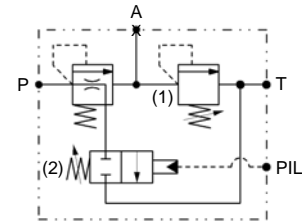
#### Port Size BSP

<b>03</b>	1/2
<b>04</b>	3/4

Dimensions



Hydraulic Symbol



Features

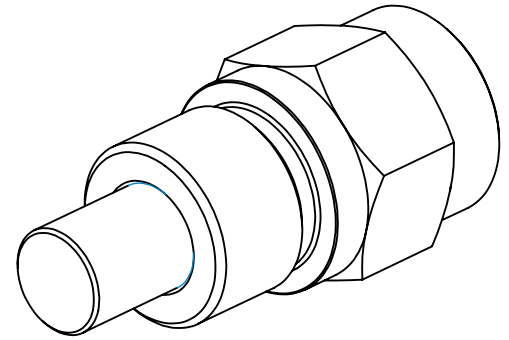
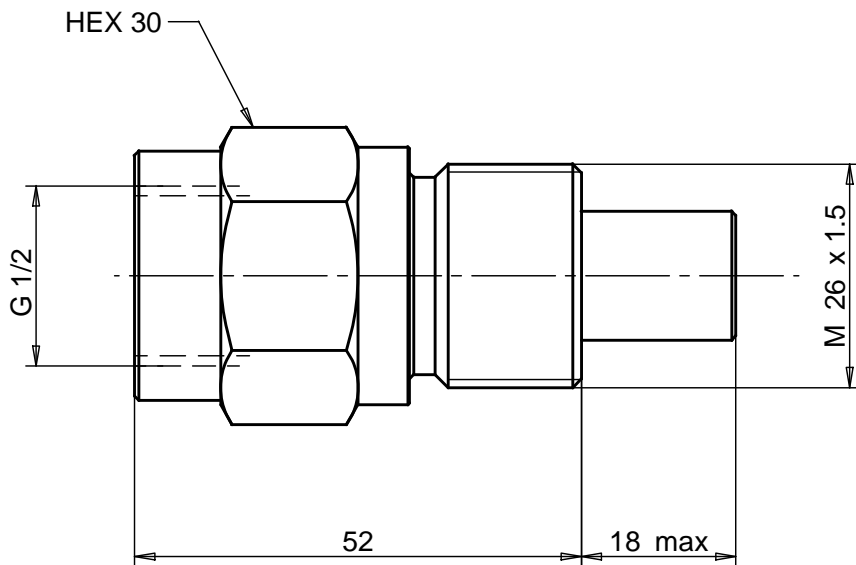
Max Pressure	250 bar
Max Flow	80 lpm
Ports	P-A: G 1/2 T: G 3/8 PIL: G 1/4
Std. Pressure range	(1) 30 - 260 bar (2) 100 - 350 bar

Ordering Code

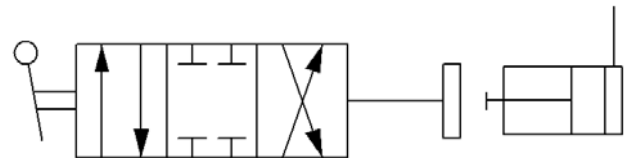
VMSIP80R 03



**Dimensions**



**Hydraulic Symbol**



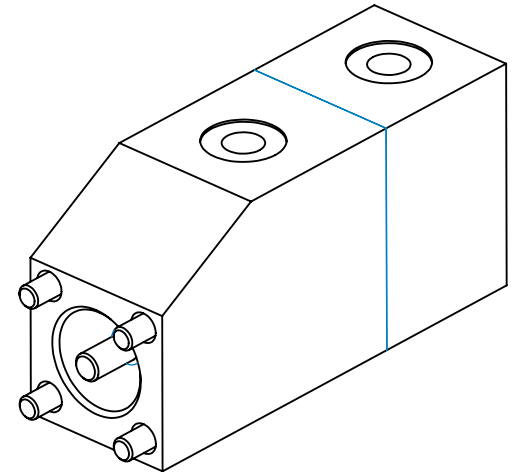
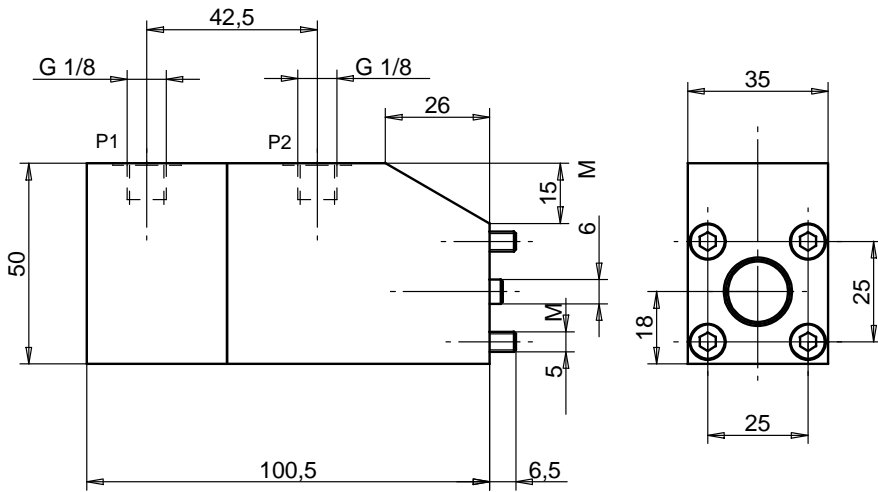
**Features**

Max Pressure	260 bar
--------------	---------

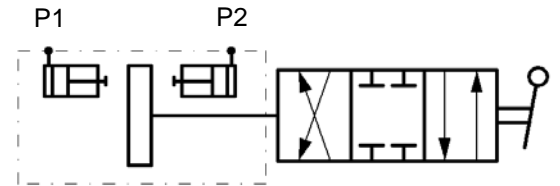
**Ordering Code**

**CBA 03**

## Dimensions



## Hydraulic Symbol



## Features

Max Pressure

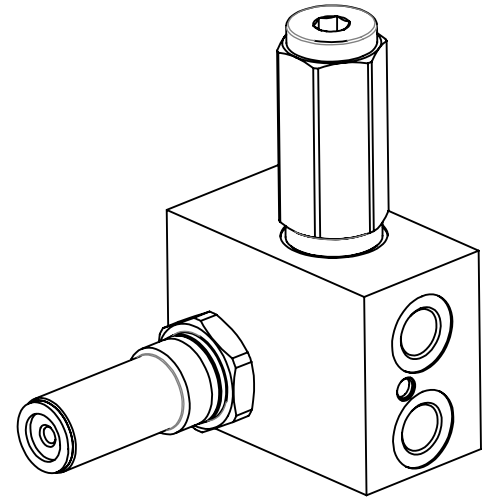
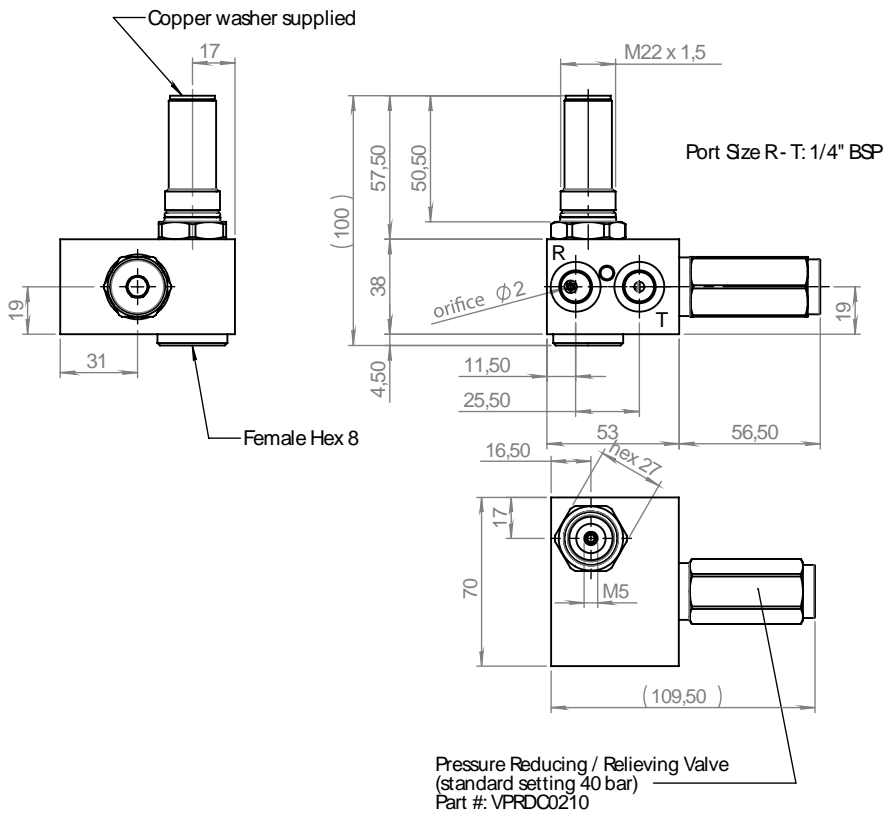
290 bar

**Materials:** Zinc plated steel cartridge, hardened steel inner parts.  
Aluminium manifold.

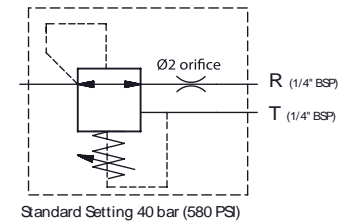
## Ordering Code

**BLCDEWL 005**

## Dimensions



## Hydraulic Symbol



## Features

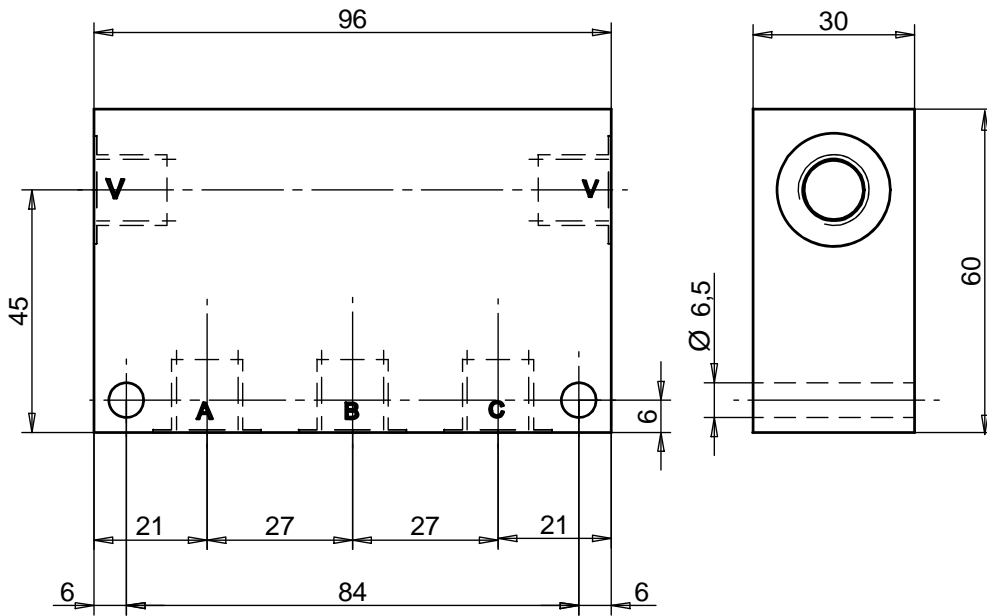
Standard Setting 40 bar

**Materials:** Zinc plated steel cartridge, hardened steel inner parts.  
Aluminium manifold.

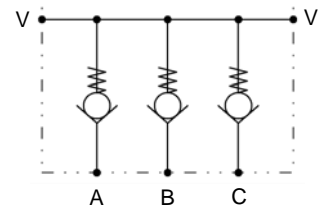
## Ordering Code

PSUHCD4

Dimensions



Hydraulic Symbol



Features

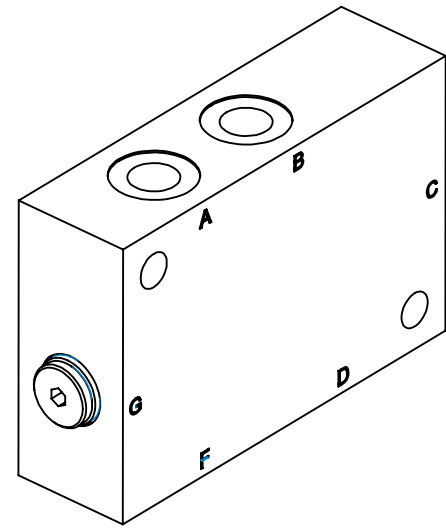
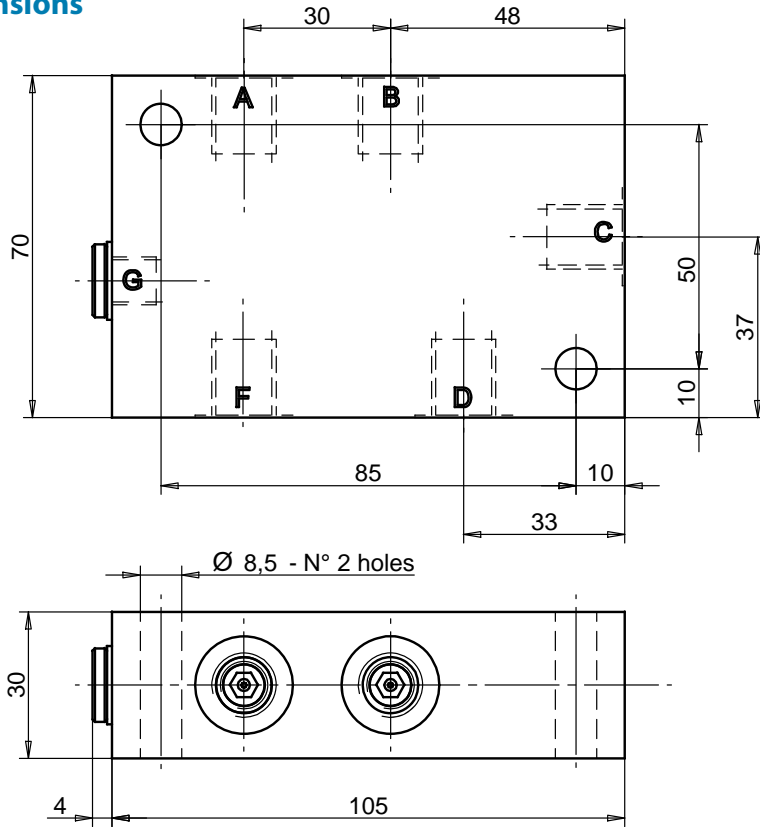
Max Flow	20 lpm
Max Pressure	350 bar
Ports	V: G 1/4 A-B-C: G 1/4

**Materials:** Zinc plated steel cartridge, hardened steel inner parts.  
Aluminium manifold.

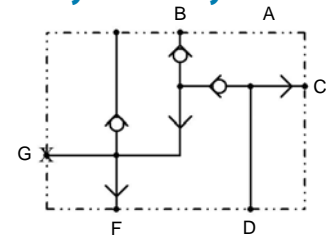
Ordering Code

VRLS3RT 01

Dimensions



Hydraulic Symbol



Features

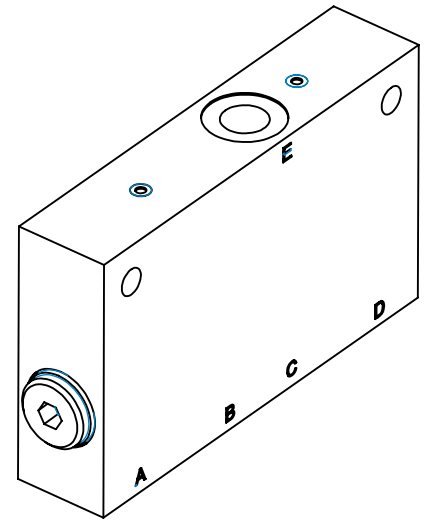
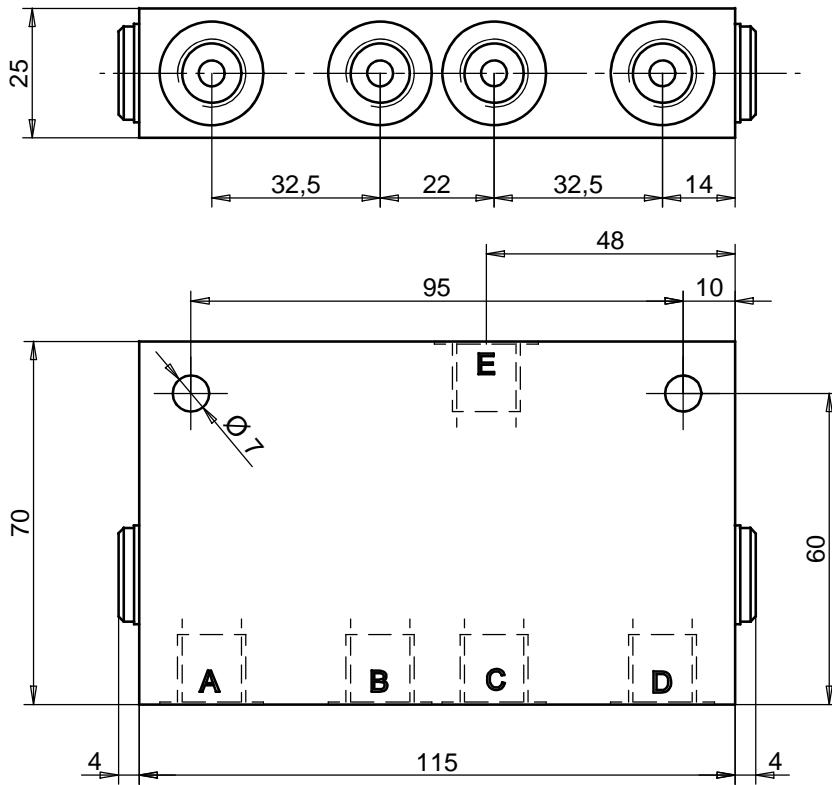
Max Flow	3 lpm
Max Pressure	400 bar
Ports	A-B-C-D-F: 1/4 G: 1/8

**Materials:** Zinc plated steel manifold, hardened steel inner parts.

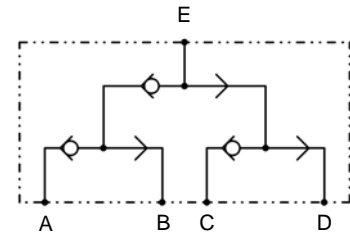
Ordering Code

VSEL3V 01

## Dimensions



## Hydraulic Symbol



## Features

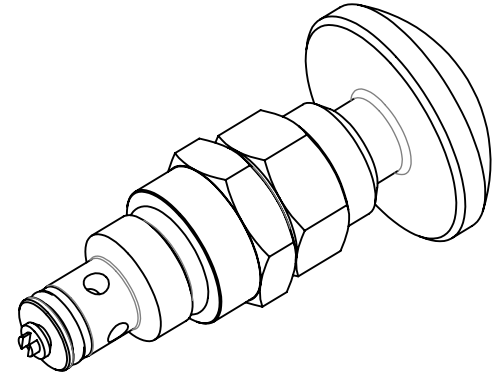
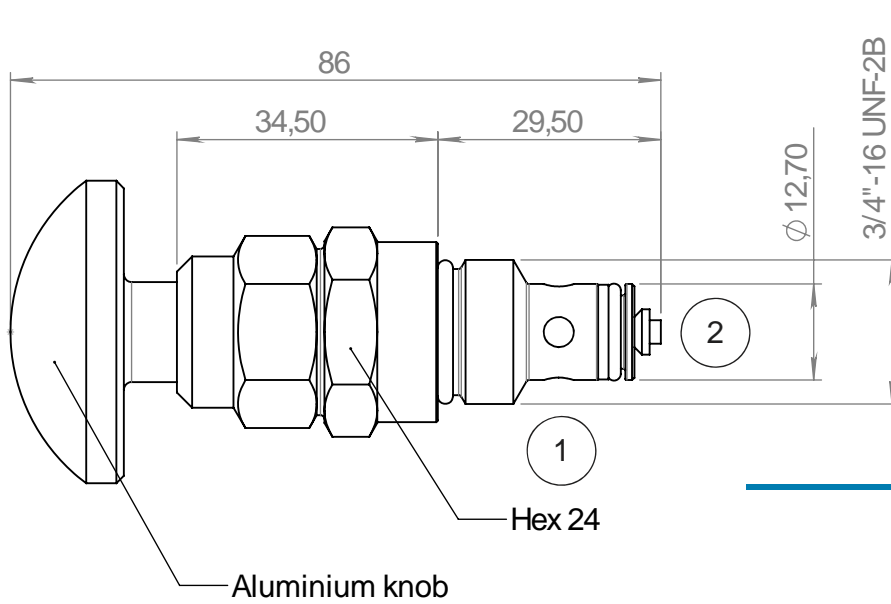
Max Pressure	250 bar
Max Flow	10 lpm
Ports	A-B-C-D-E: G 1/4

**Materials:** Zinc plated steel cartridge, hardened steel inner parts.  
Aluminium manifold.

## Ordering Code

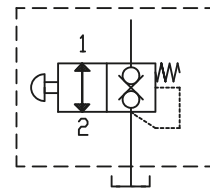
VSEL3VHC 01

### Dimensions

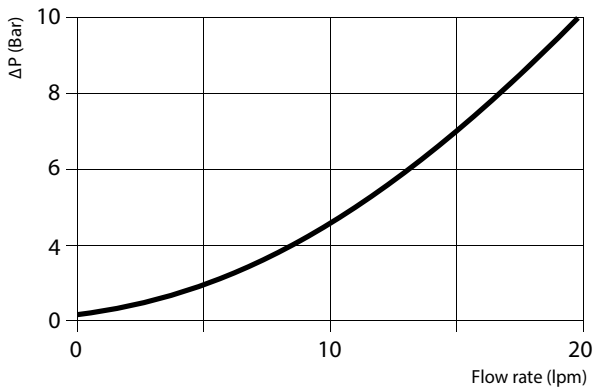


**Notice:** This is an emergency valve only, to work properly (2) does not have to be pressurized

### Hydraulic Symbol



### Curves



### Features

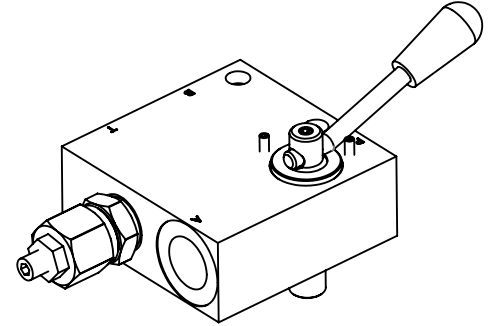
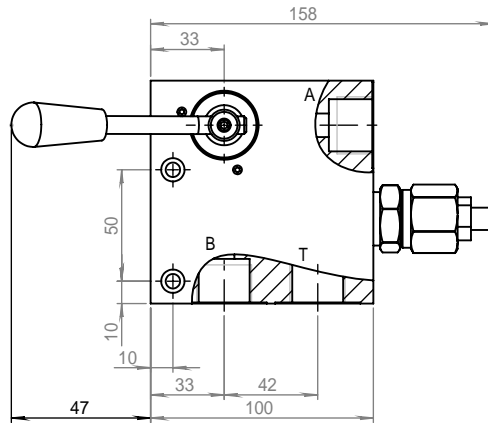
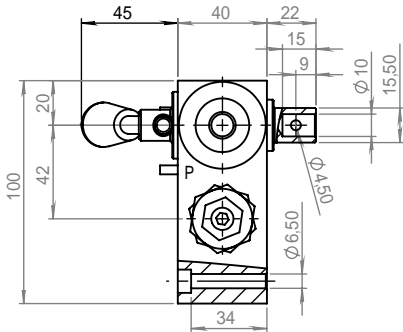
Max Pressure	350 bar
Max Flow	20 lpm
Installation torque	35-40 Nm

**Materials:** Zinc plated steel cartridge, hardened steel inner parts, aluminium knob, BUNA-N seals.

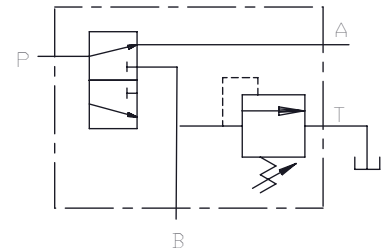
### Ordering Code

**MEV02**

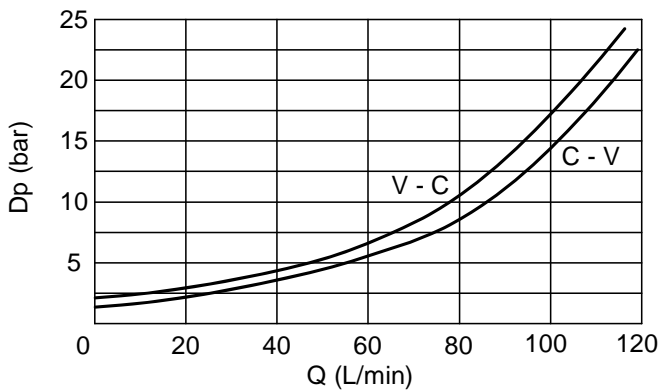
### Dimensions



### Hydraulic Symbol



### Curves



### Features

Max Flow	120 lpm
Max Pressure	350 bar
Ports Size (P,T,A,B)	3/4 BSP

**Materials:** Zinc plated steel manifold, hardened steel inner parts.

### Ordering Code

**VI4WAM0480** -- -

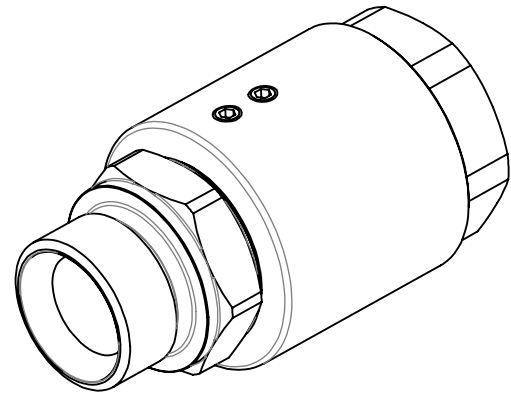
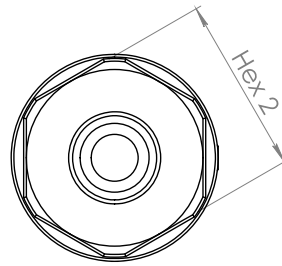
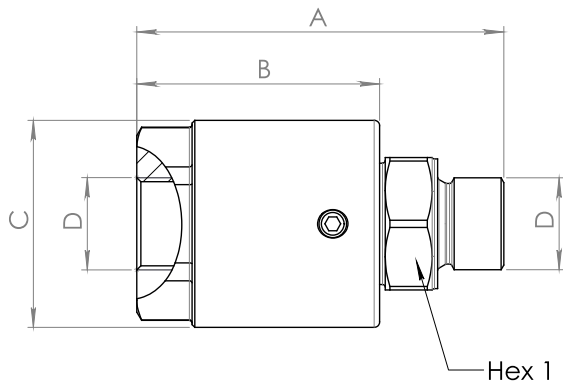
Spring (bar)	
10	5-50
20	30-260
30	130-350

Adjustments		
A		Socket Screw
B		Handknob
C		Tamperproof Cap

**Ordering Code Example:** VI4WAM048030A = 3/4 BSP size ports, 130-350 bar setting range, socket screw.

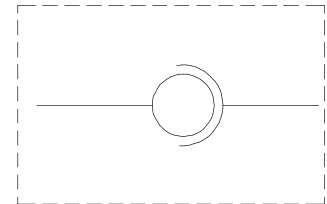


### Dimensions

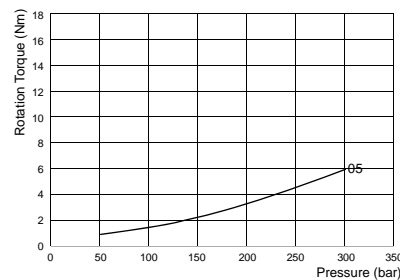
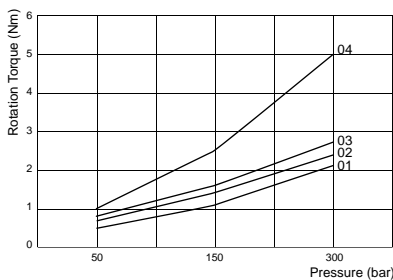


Size	A	B	C	D BSP	Hex 1	Hex 2	Weight kg
<b>01</b>	63	42	34	1/4	19	30	0,28
<b>02</b>	66,5	44	37,5	3/8	22	32	0,35
<b>03</b>	70,4	44	39,5	1/2	27	32	0,39
<b>04</b>	90,7	60	49,5	3/4	32	41	0,80
<b>05</b>	100	65	54,5	1	41	46	0,95

### Hydraulic Symbol



### Curves



### Notice

To be used only to compensate for occasional rotations, not suitable for continuous rotations.

### Features

Size	01	02	03	04	05
<b>Max Flow Rate (lpm)</b>	25	45	80	120	150
<b>Max Static Pressure (bar)</b>	400	400	360	310	280

**Materials:** Zinc plated steel.

### Ordering Code

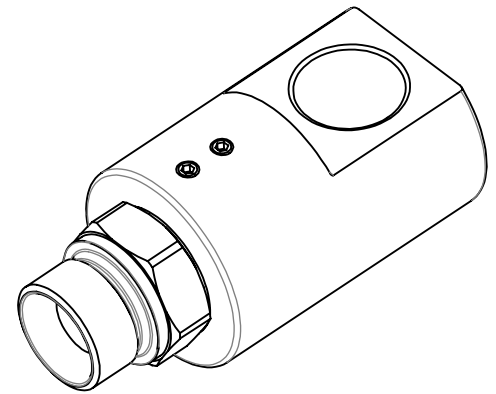
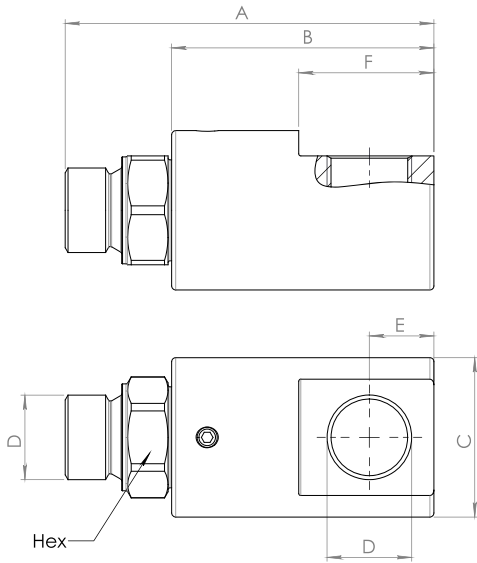
**SJL**

--

	Size BSP
<b>01</b>	1/4
<b>02</b>	3/8
<b>03</b>	1/2
<b>04</b>	3/4
<b>05</b>	1

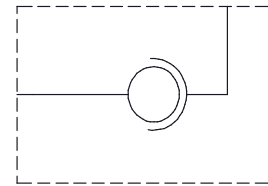
**Ordering Code Example:** SJL03 = 1/2 BSP.

### Dimensions

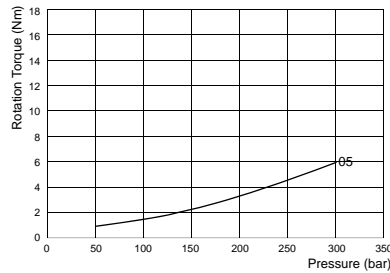
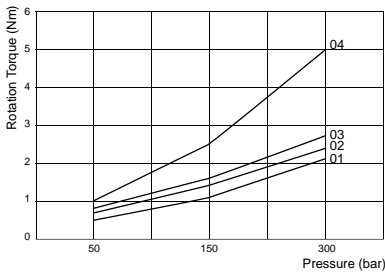


Size	A	B	C	D BSP	E	F	Hex 1	Weight kg
<b>01</b>	71	50	34	1/4	11,5	25	19	0,33
<b>02</b>	77,5	55	37,5	3/8	14	31	22	0,43
<b>03</b>	91,4	65	39,5	1/2	16	33,5	27	0,55
<b>04</b>	104,7	74	49,5	3/4	17,8	39	32	0,97
<b>05</b>	120	85	59,5	1	22,8	48	41	1,45

### Hydraulic Symbol



### Curves



### Notice

To be used only to compensate for occasional rotations, not suitable for continuous rotations.

### Features

Size	01	02	03	04	05
<b>Max Flow Rate (lpm)</b>	25	45	80	120	150
<b>Max Static Pressure (bar)</b>	400	400	360	310	280

**Materials:** Zinc plated steel.

### Ordering Code

**SJ90**

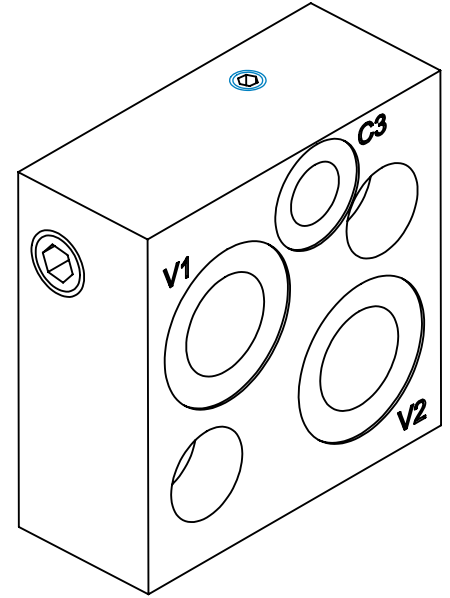
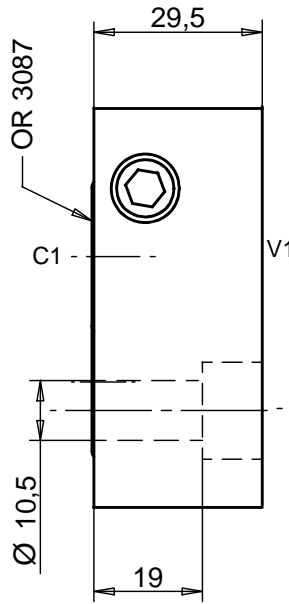
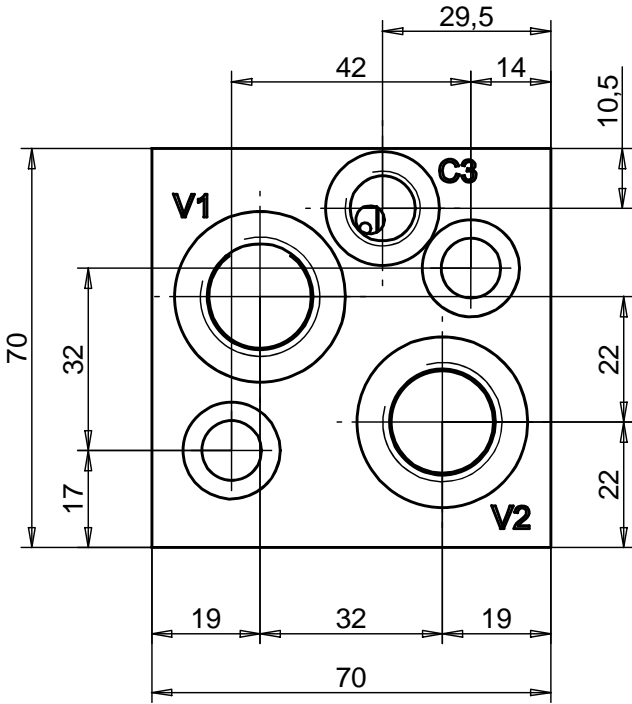
--

#### Size BSP

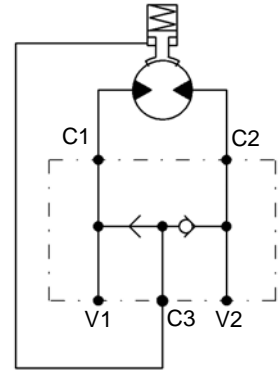
<b>01</b>	1/4
<b>02</b>	3/8
<b>03</b>	1/2
<b>04</b>	3/4
<b>05</b>	1

**Ordering Code Example: SJ9003 = 1/2 BSP.**

### Dimensions



### Hydraulic Symbol



### Features

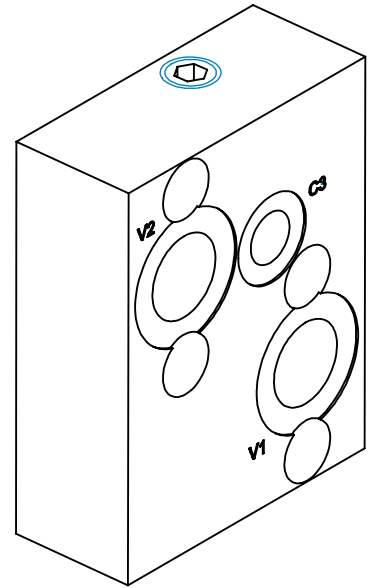
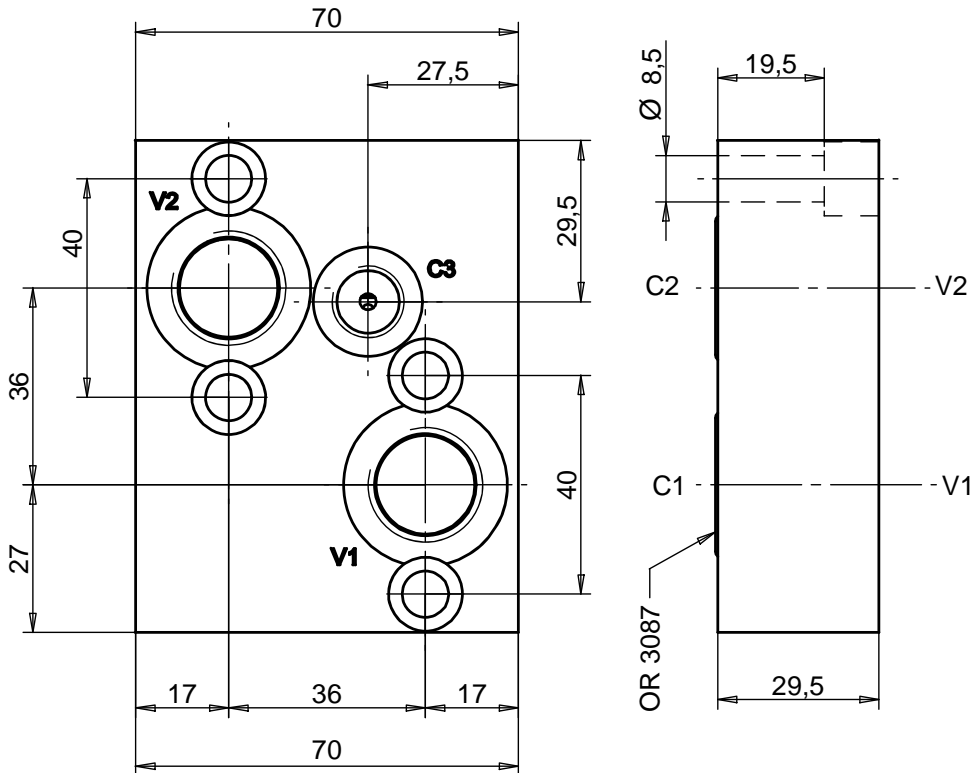
Max Flow	50 lpm
Max Pressure	350 bar
Ports	V1-V2: G1/2 C3: G 1/4

**Materials:** Zinc plated steel cartridge, hardened steel inner parts.  
Aluminium manifold.

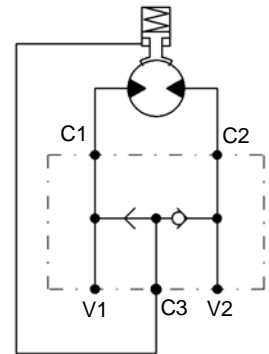
### Ordering Code

**SHVOMS 03**

## Dimensions



## Hydraulic Symbol



## Features

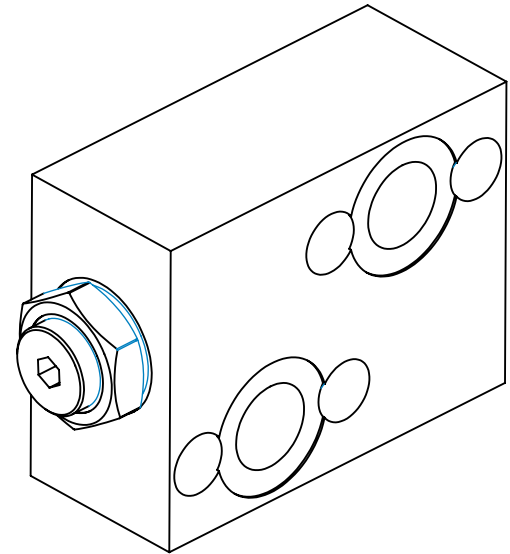
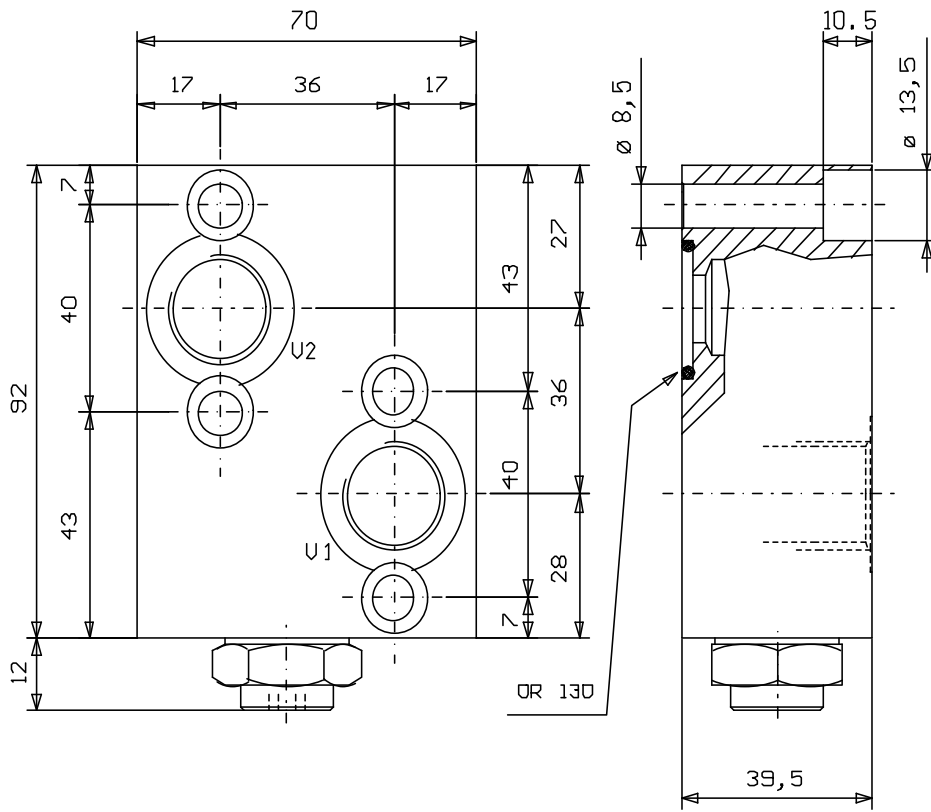
Max Flow	50 lpm
Max Pressure	350 bar
Ports	V1-V2: G 1/2 C3: G 1/4

**Materials:** Zinc plated steel cartridge, hardened steel inner parts.  
Aluminium manifold.

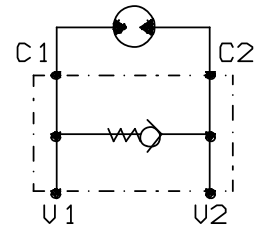
## Ordering Code

**SHVOMP 03**

## Dimensions



## Hydraulic Symbol



## Features

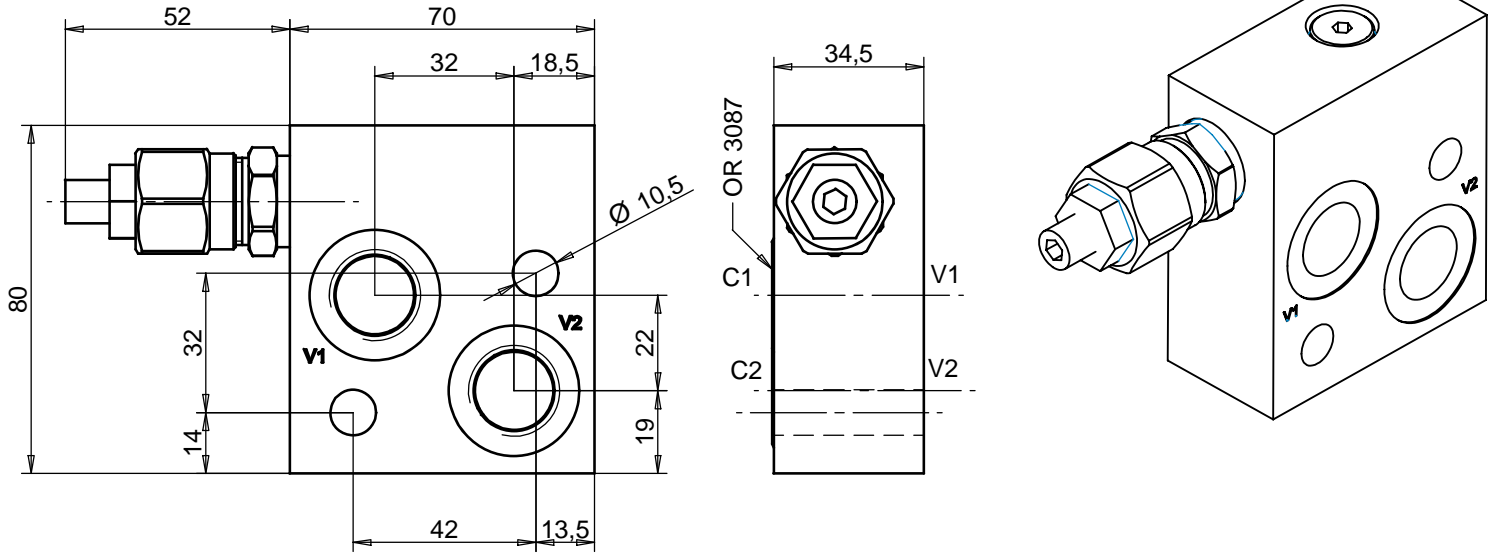
Max Flow	50 lpm
Max Pressure	250 bar
Cracking Pressure	0,5 / 3
Ports	V1-V2: G1/2

**Materials:** Zinc plated steel cartridge, hardened steel inner parts.  
Aluminium manifold.

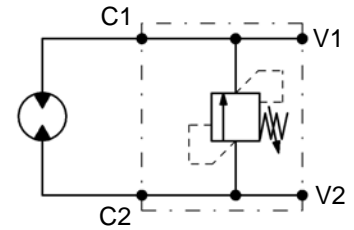
## Ordering Code

**ACVOMP 03**

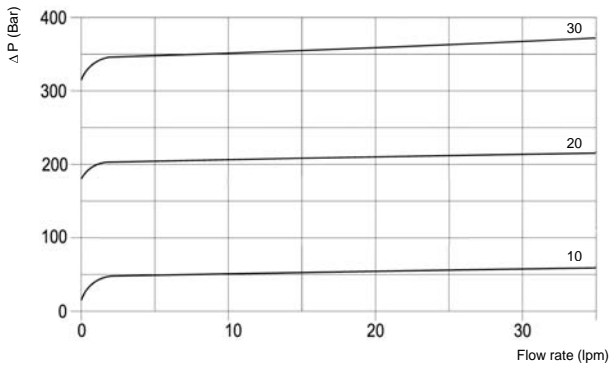
Dimensions



Hydraulic Symbol



Curves



Features

Max Flow	40 lpm
Max Pressure	250 bar
Ports	V1-V2: G 1/2

**Materials:** Zinc plated steel cartridge, hardened steel inner parts.  
Aluminium manifold.

Ordering Code

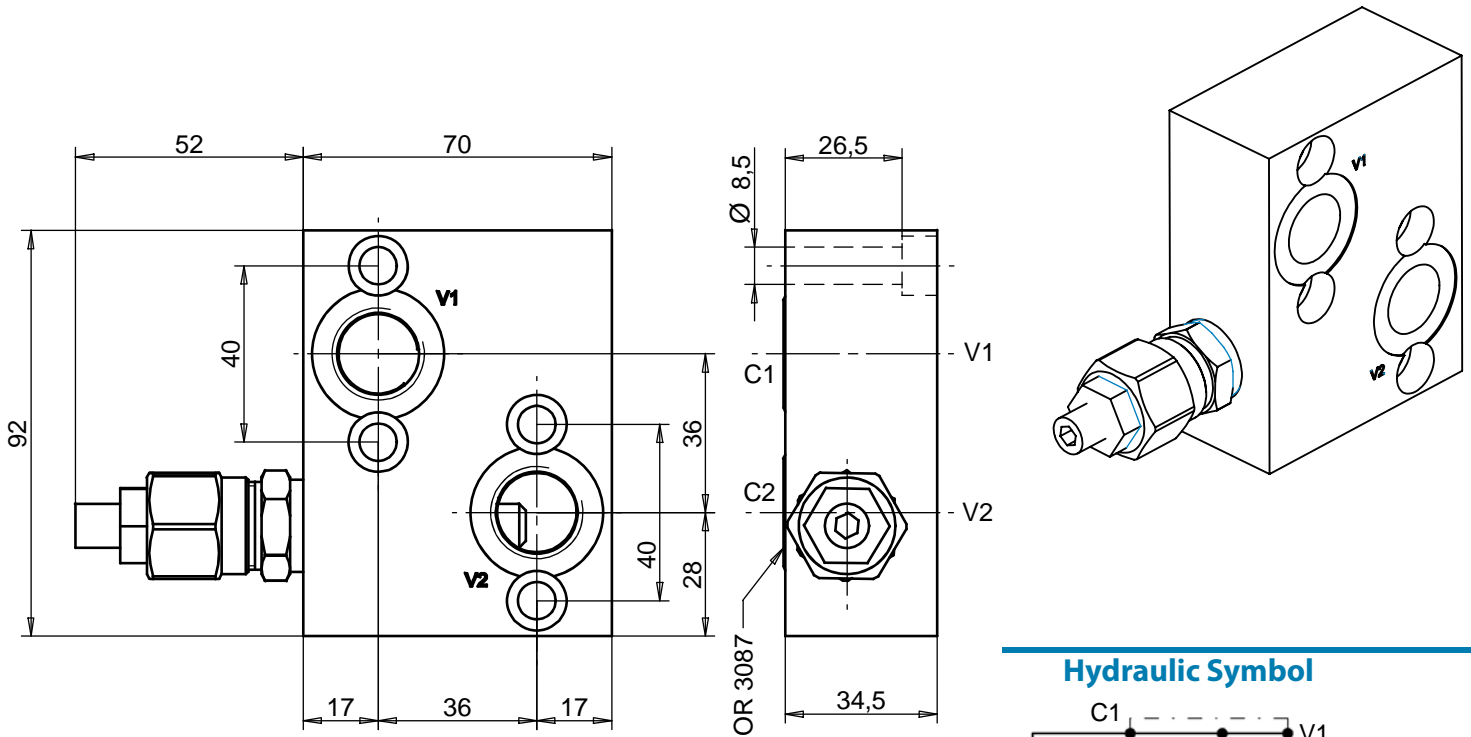
PROMS 03

	Spring (bar)
10	5-50
20	40-210
30	100-350

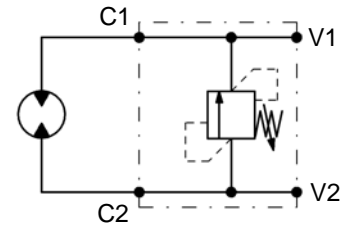
Adjustments

A		Socket Screw
B		Handknob
C		Tamperproof Cap

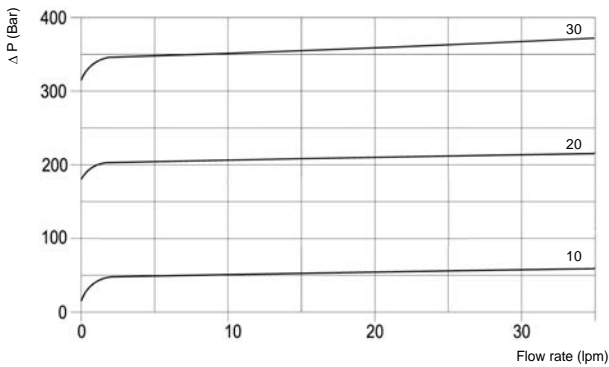
Dimensions



Hydraulic Symbol



Curves



Features

Max Flow	40 lpm
Max Pressure	250 bar
Ports	V1-V2: G 1/2
Pressure increase/Turn	90 bar

**Materials:** Zinc plated steel cartridge, hardened steel inner parts. Aluminium manifold.

Ordering Code

PROMP 03

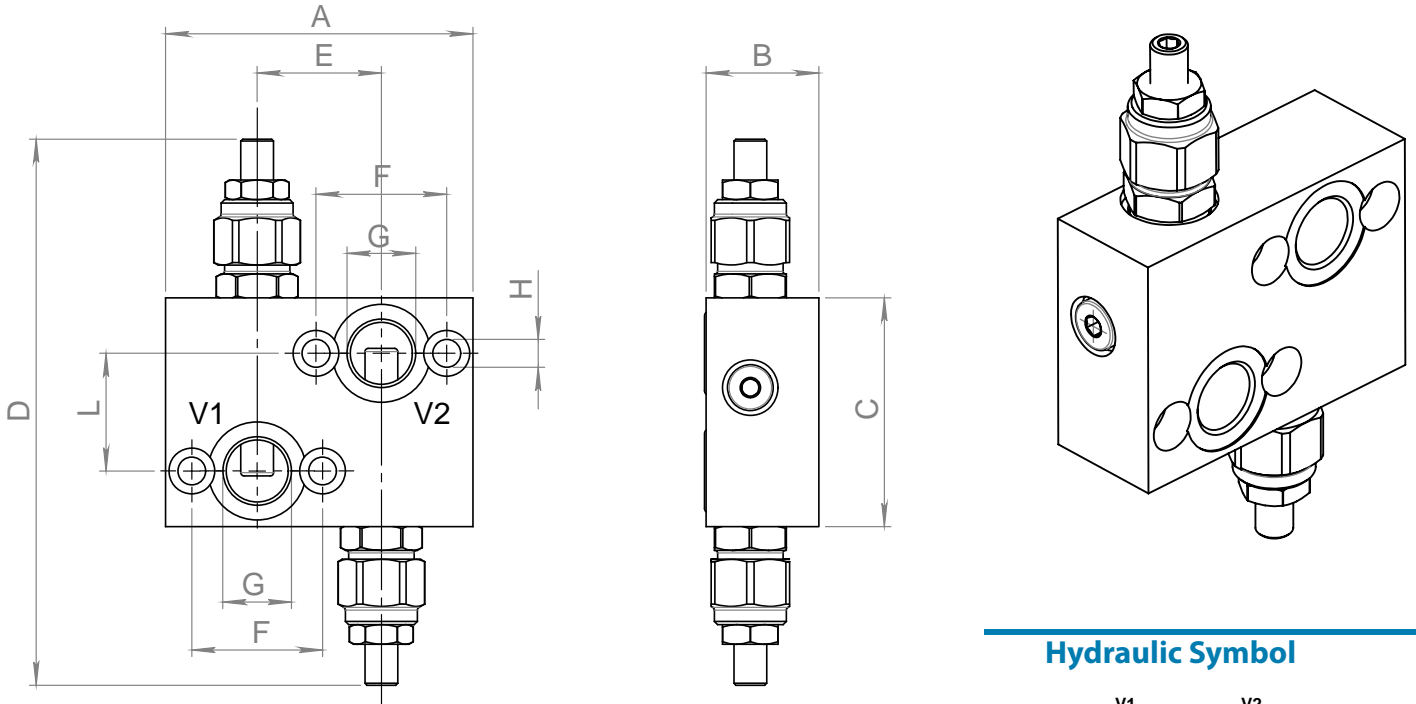
Spring (bar)

10	5-50
20	40-210
30	100-350

Adjustments

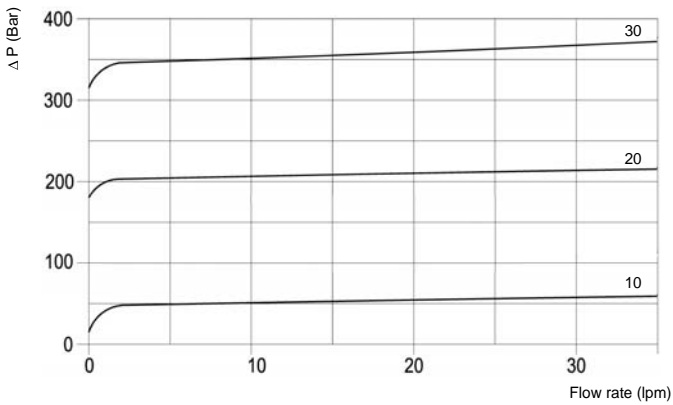
A		Socket Screw
B		Handknob
C		Tamperproof Cap

## Dimensions

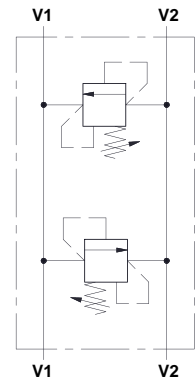


Size	A	B	C	D	E	F	G BSP	H	L	Weight kg
<b>03</b>	94	35	70	167	36	40	1/2	8,5	36	0,75

## Curves



## Hydraulic Symbol



## Features

<b>Rated Flow</b>	35 lpm
<b>Max Pressure</b>	350 bar

**Materials:** Zinc plated steel cartridge, hardened steel inner parts.  
Aluminium manifold.

## Ordering Code

**DPROMP-R35** -- -- -

Port Size BSP		Spring (bar)	
<b>03</b>	1/2	<b>10</b>	5-50
		<b>20</b>	40-210
		<b>30</b>	100-350

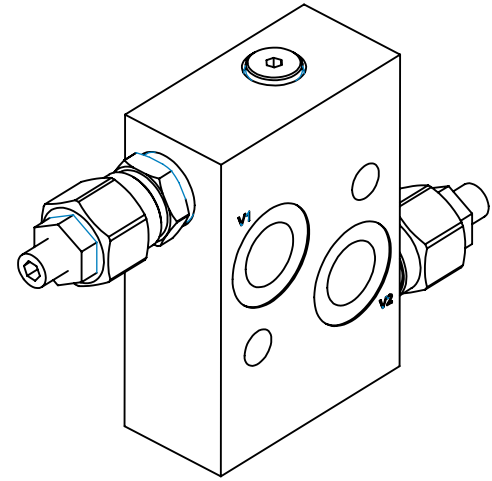
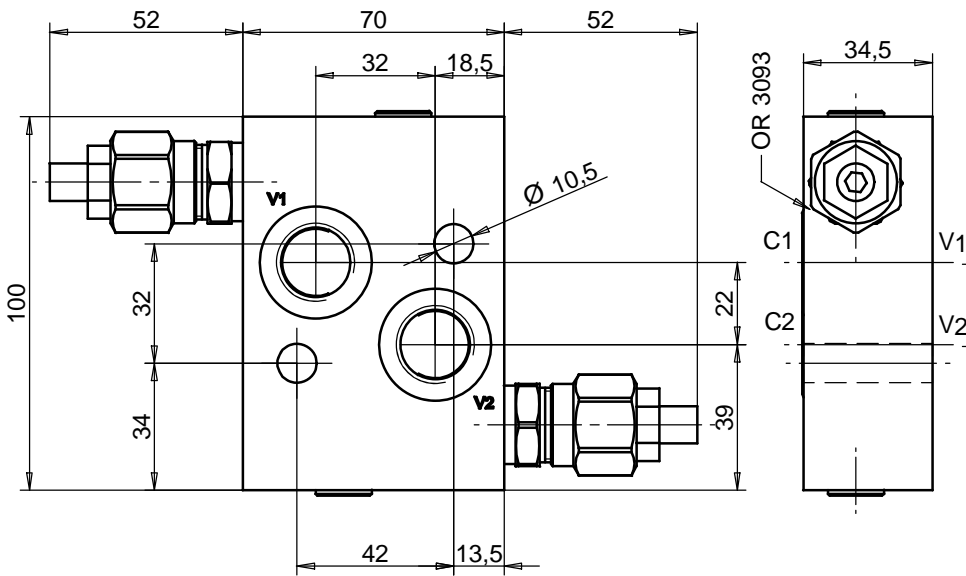
## Adjustments

<b>A</b>		Socket Screw
<b>B</b>		Handknob
<b>C</b>		Tamperproof Cap

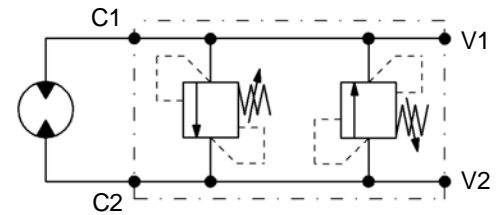
**Ordering Code Example:** DPROMP-R350320A = 1/2 Port Size - 40-210 bar setting range, Socket screw adjustment.



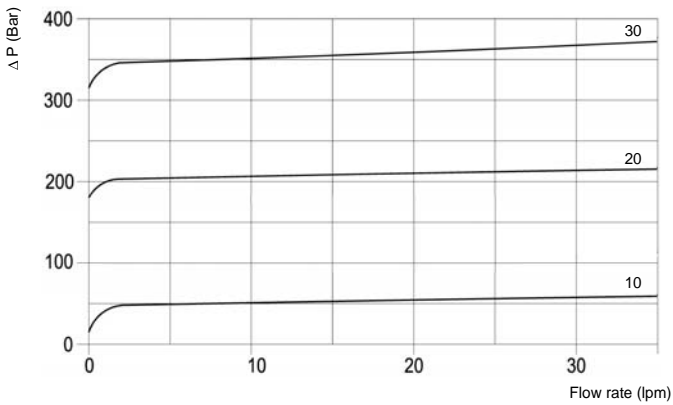
**Dimensions**



**Hydraulic Symbol**



**Curves**



**Features**

Max Flow	40 lpm
Max Pressure	250 bar
Ports	V1-V2: G 1/2
Pressure increase/Turn	90 bar

**Materials:** Zinc plated steel cartridge, hardened steel inner parts.  
Aluminium manifold.

**Ordering Code**

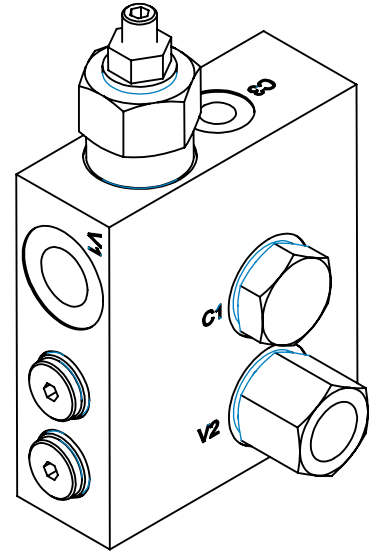
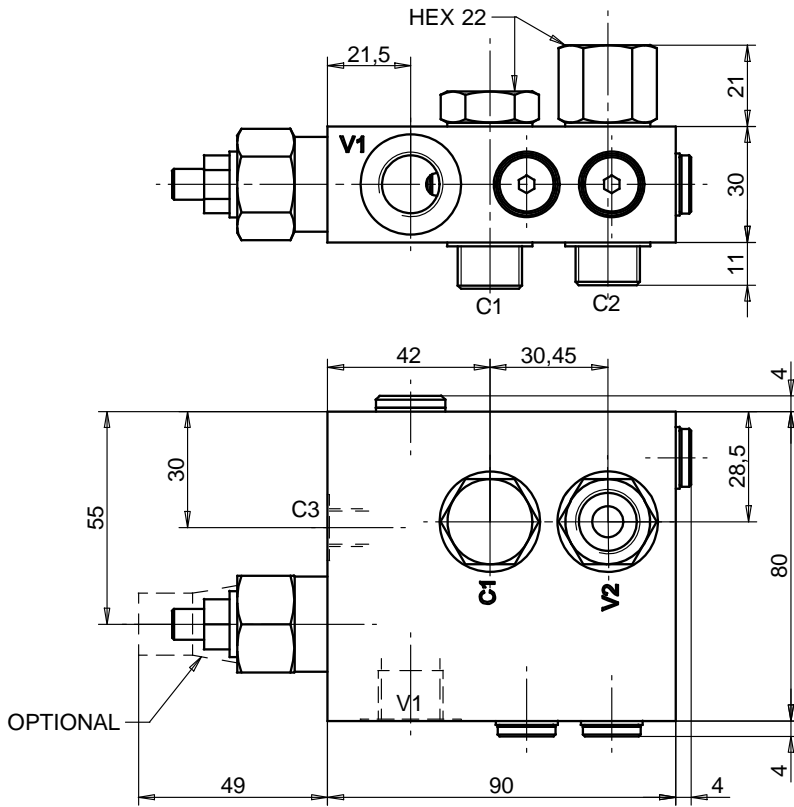
**DPROMS-R35 03**

Port Size BSP		Spring (bar)	
<b>03</b>	1/2	<b>10</b>	5-50
		<b>20</b>	40-210
		<b>30</b>	100-350

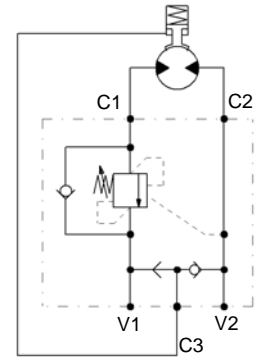
**Adjustments**

<b>A</b>		Socket Screw
<b>B</b>		Handknob
<b>C</b>		Tamperproof Cap

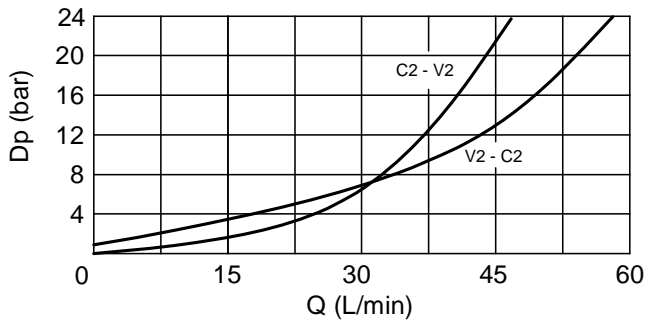
Dimensions



Hydraulic Symbol



Curves



**Materials:** Zinc plated steel cartridge, hardened steel inner parts.  
Aluminium manifold.

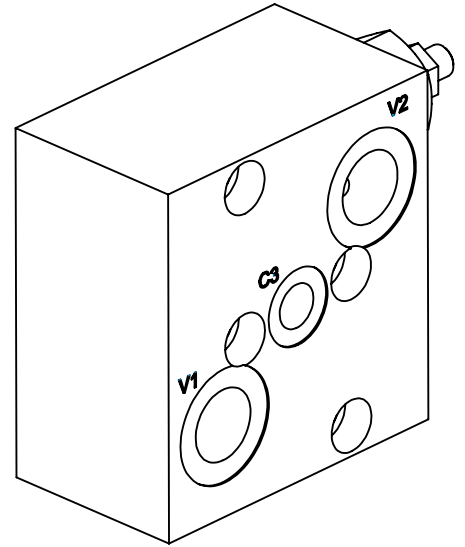
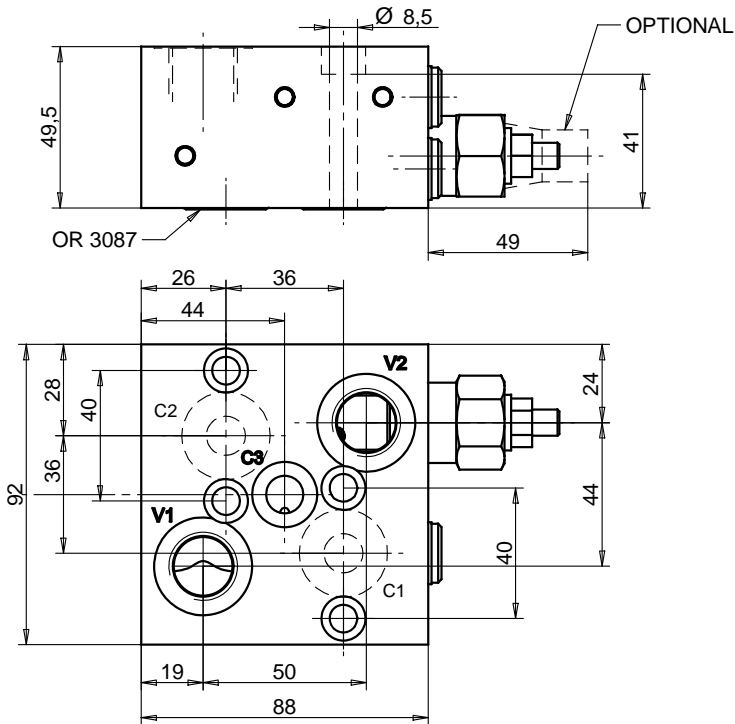
Features

Max Flow	40 lpm
Max Pressure	250 bar
Pilot Ratio	4,2:1 Standard
Ports	V1-V2: G 3/8 C1-C2: G 3/8 C3: G 3/8
Std. Pressure range	100 - 350 bar

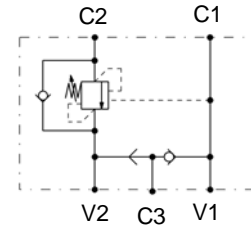
Ordering Code

CBSLSFOMM 02

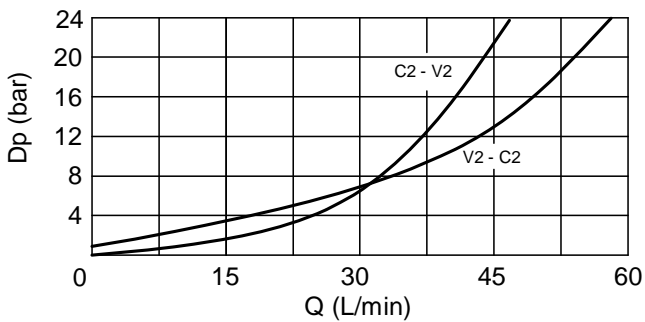
## Dimensions



## Hydraulic Symbol



## Curves



**Materials:** Zinc plated steel cartridge, hardened steel inner parts.  
Aluminium manifold.

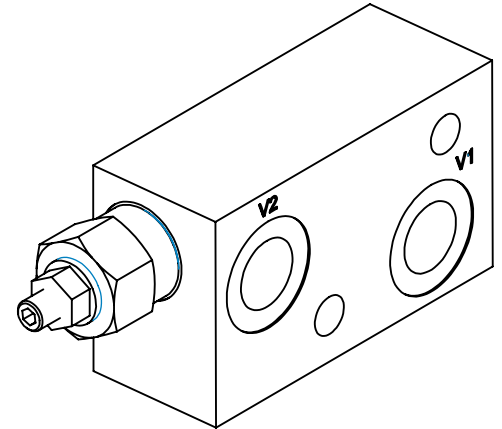
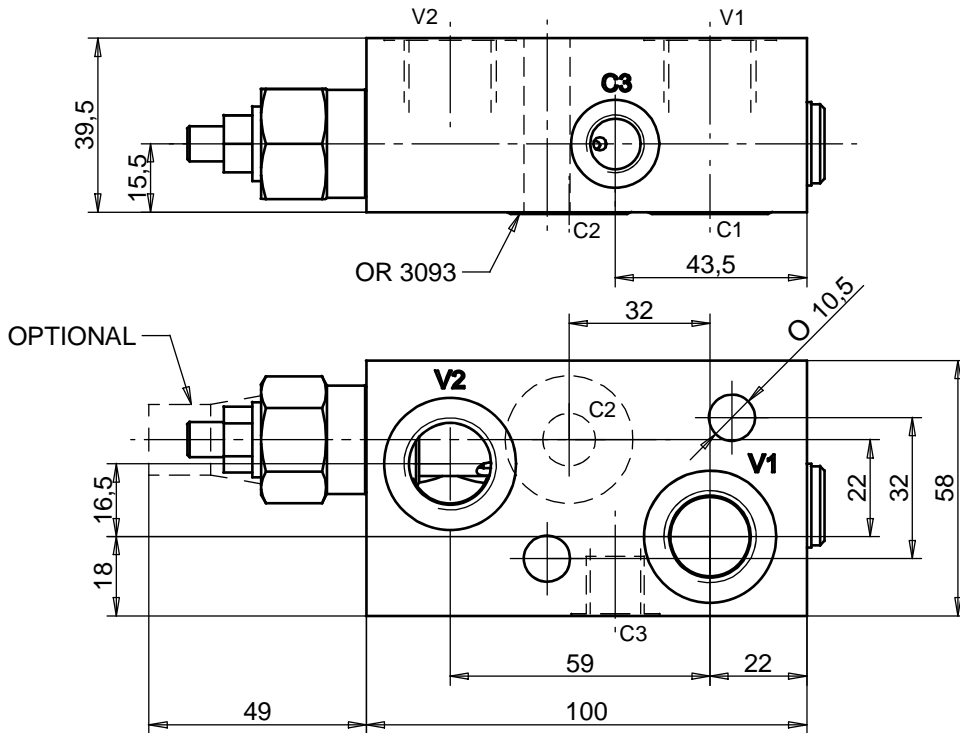
## Features

<b>Max Flow</b>	60 lpm
<b>Max Pressure</b>	250 bar
<b>Pilot Ratio</b>	4,2:1 Standard
<b>Ports</b>	V1-V2: G 1/2 C1-C2: G 1/2 C3: G 1/4
<b>Std. Pressure range</b>	100 - 350 bar

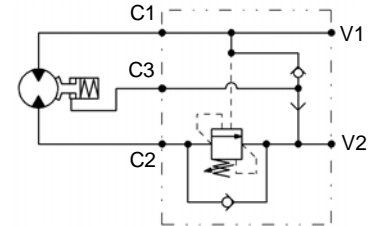
## Ordering Code

**CBSLSFOMP 03**

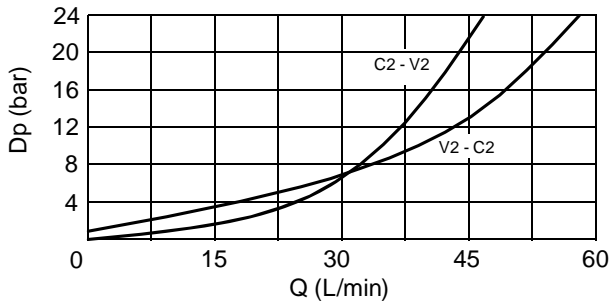
**Dimensions**



**Hydraulic Symbol**



**Curves**



**Features**

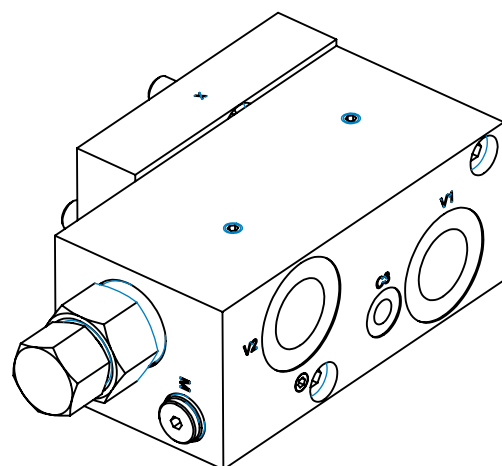
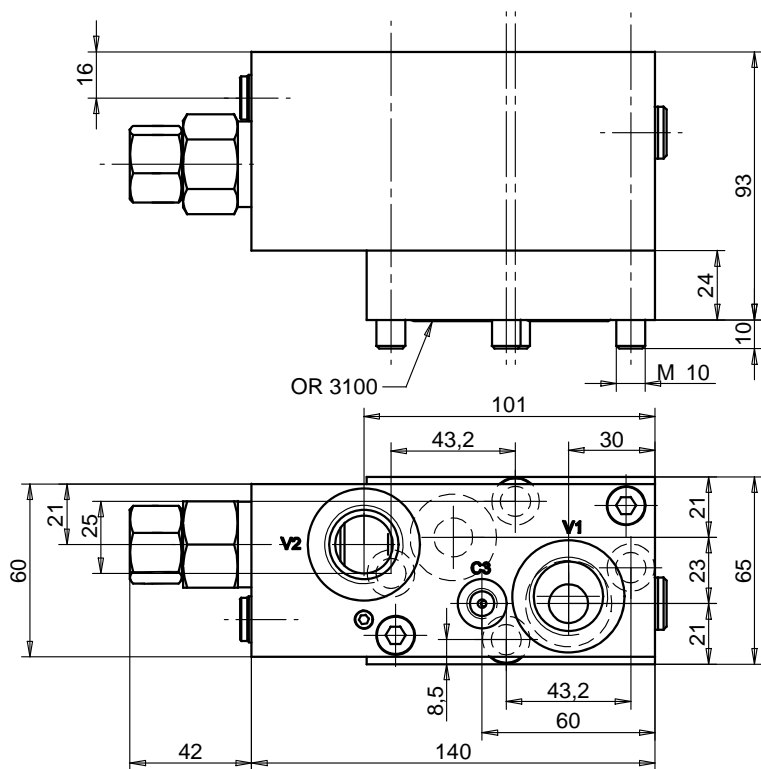
<b>Max Flow</b>	60 lpm
<b>Max Pressure</b>	350 bar
<b>Pilot Ratio</b>	4,2:1 Standard
<b>Ports</b>	V1-V2: G 1/2 C3: G 1/4

**Materials:** Zinc plated steel cartridge, hardened steel inner parts.  
Aluminium manifold.

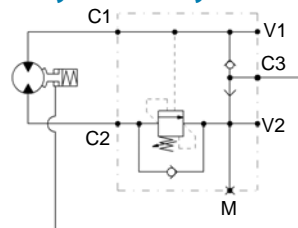
**Ordering Code**

**CBSLSFOMS 03**

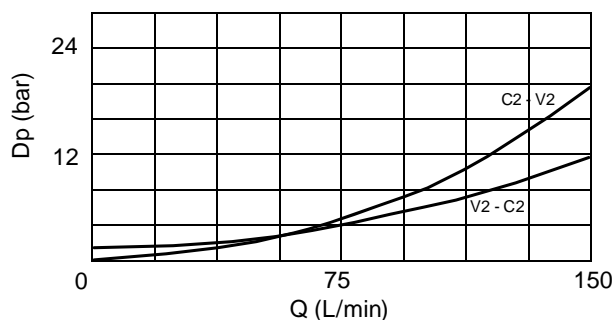
Dimensions



Hydraulic Symbol



Curves



**Materials:** Zinc plated steel cartridge, hardened steel inner parts.  
Aluminium manifold.

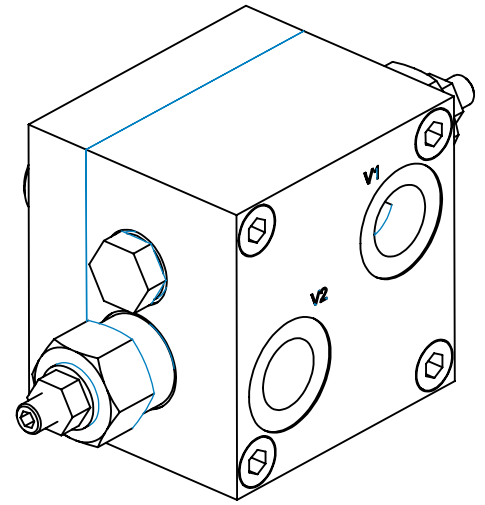
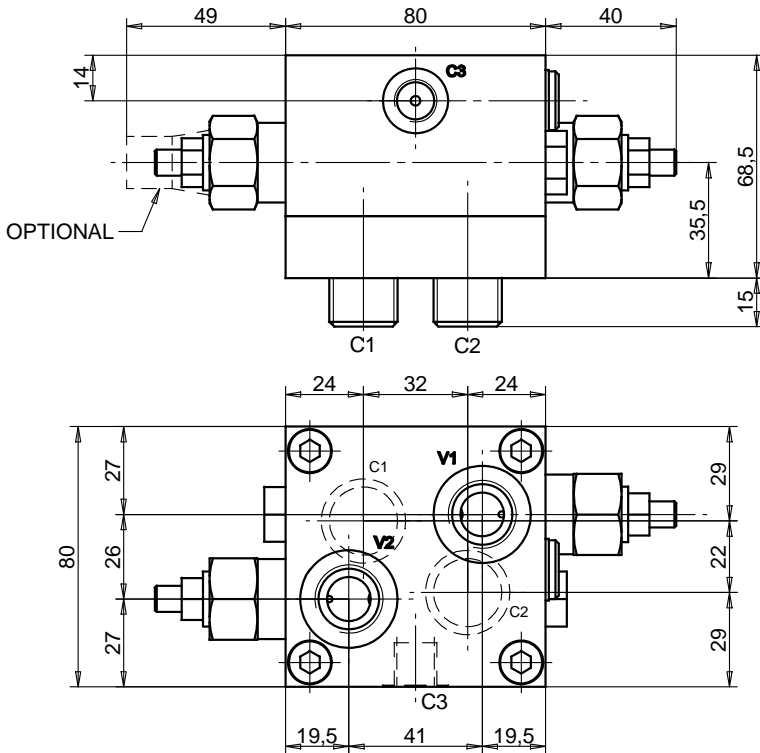
Features

Max Flow	150 lpm
Max Pressure	250 bar
Pilot Ratio	4:1 Standard
Ports	V1-V2: G 3/4 C1-C2: Ø 12 / Ø 13,5 C3-M: G 1/4
Std. Pressure range	100 - 350 bar

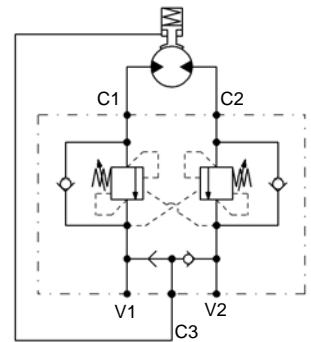
Ordering Code

**CB150SLSFOMT 04**

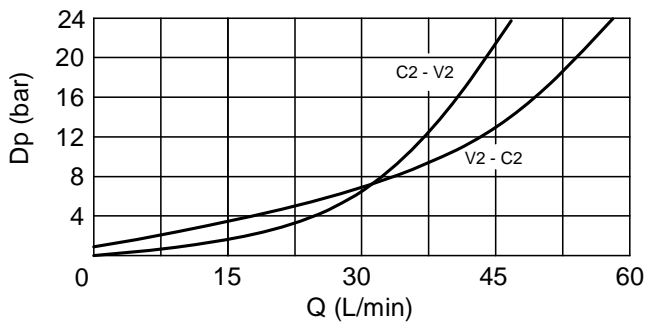
## Dimensions



## Hydraulic Symbol



## Curves



**Materials:** Zinc plated steel cartridge, hardened steel inner parts.  
Aluminium manifold.

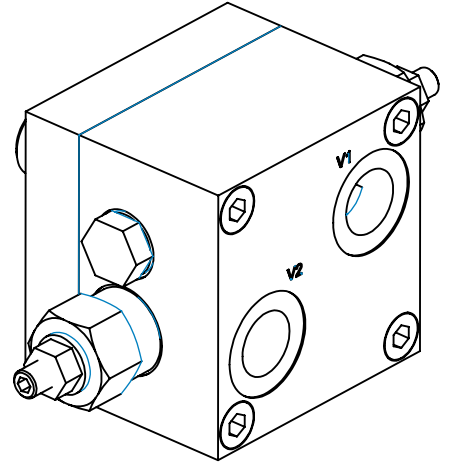
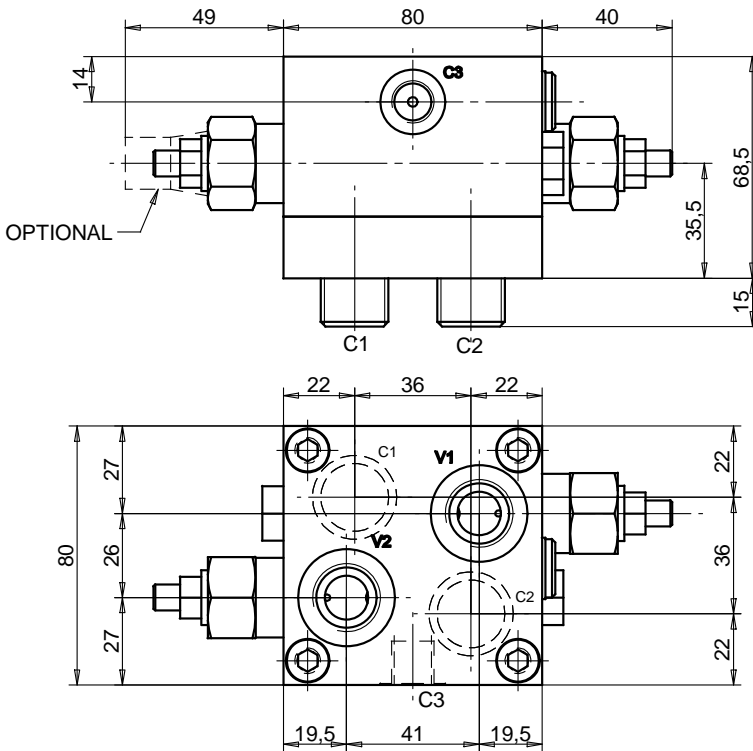
## Features

<b>Max Flow</b>	60 lpm
<b>Max Pressure</b>	250 bar
<b>Pilot Ratio</b>	4,2:1 Standard
<b>Ports</b>	V1-V2: G 1/2 C1-C2: G 1/2 C3: G 1/4
<b>Std. Pressure range</b>	100 - 350 bar

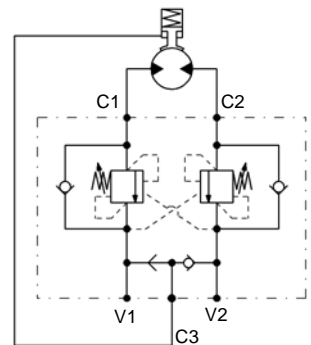
## Ordering Code

**CBDLSFOMS 03**

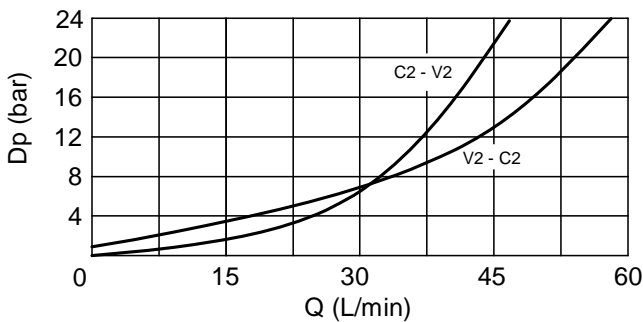
## Dimensions



## Hydraulic Symbol



## Curves



**Materials:** Zinc plated steel cartridge, hardened steel inner parts.  
Aluminium manifold.

## Features

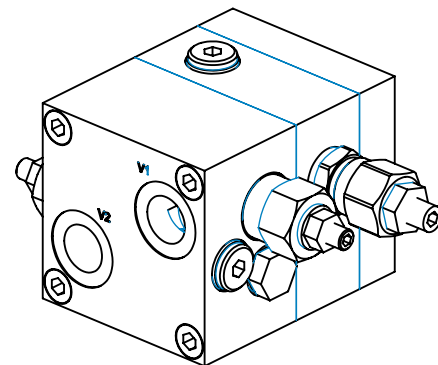
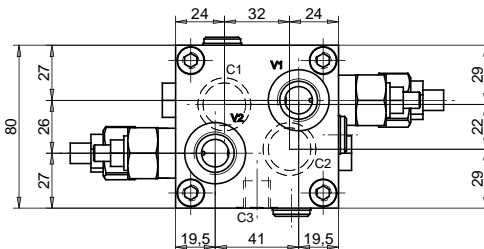
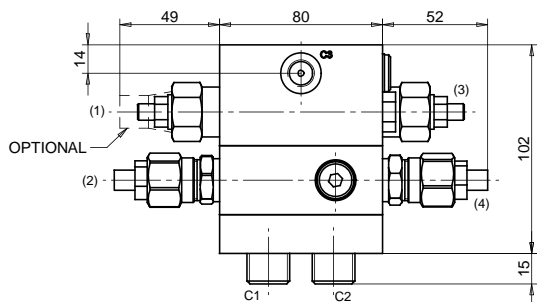
Max Flow	60 lpm
Max Pressure	250 bar
Pilot Ratio	4,2:1 Standard
Ports	V1-V2: G 1/2 C1-C2: G 1/2 C3: G 1/4
Std. Pressure range	100 - 350 bar

## Ordering Code

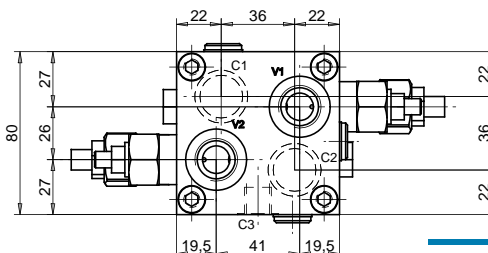
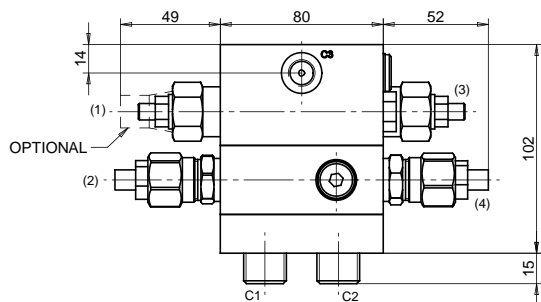
**CBDLSFOMP 03**

### Dimensions

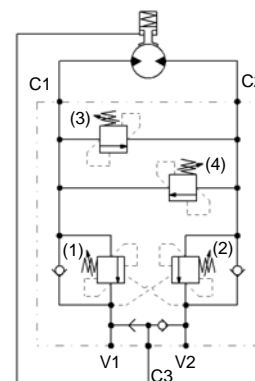
CBDLSFDPOMS: For Danfoss Motors Oms



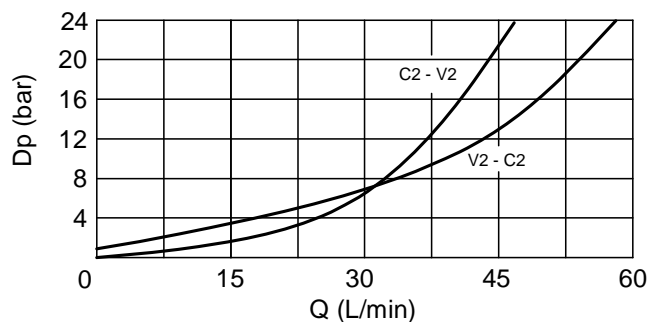
CBDLSFDPOMP: For Danfoss Motors Omp, Omr



### Hydraulic Symbol



### Curves



**Materials:** Zinc plated steel cartridge, hardened steel inner parts.  
Aluminium manifold.

### Features

<b>Max Flow</b>	60 lpm
<b>Max Pressure</b>	250 bar
<b>Pilot Ratio</b>	4,2:1 Standard
<b>Ports</b>	V1-V2: G 1/2 C1-C2: G 1/2 C3: G 1/4
<b>Std. Pressure range</b>	(1) (2) (3) (4) 100 - 350 bar

### Ordering Code

**CBDLSFDP** -

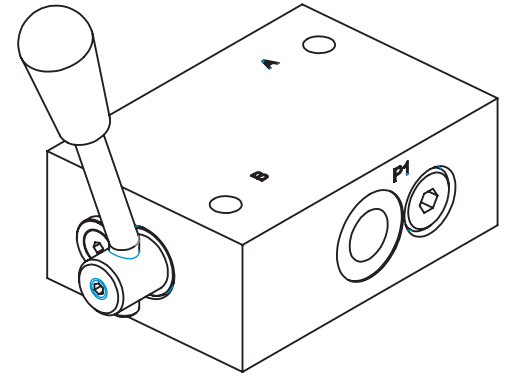
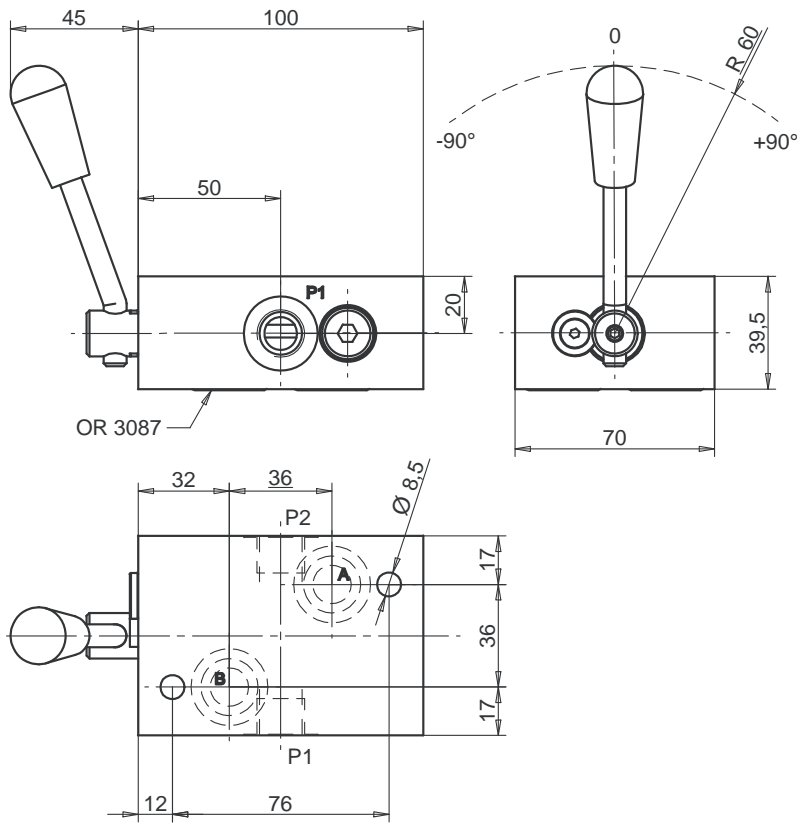
**Motor**

**OMS**

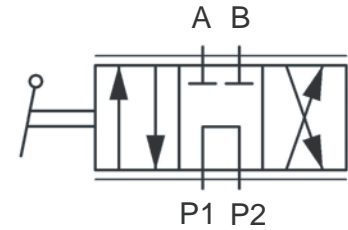
**OMP**



## Dimensions



## Hydraulic Symbol



## Features

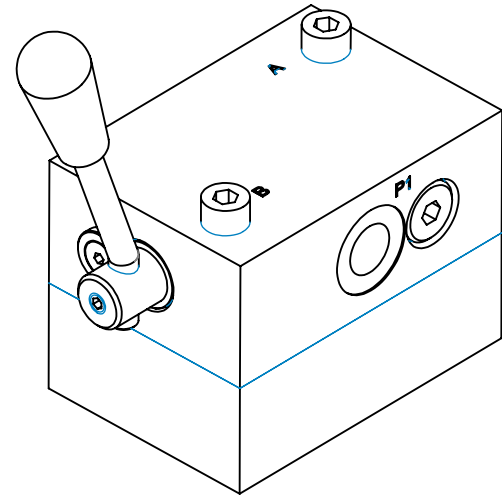
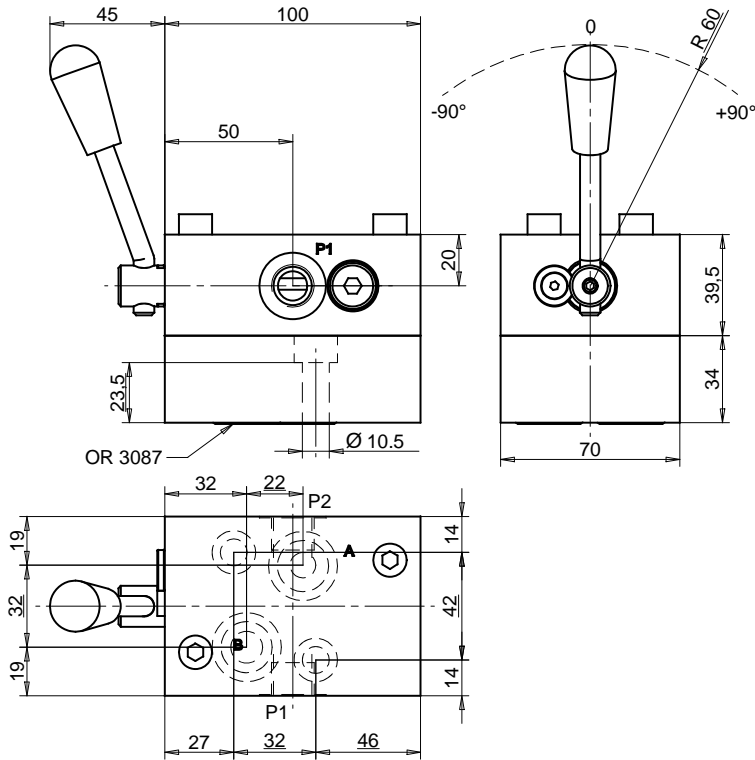
Max Flow	50 lpm
Max Pressure	350 bar
Ports	P1-P2: G 3/8

**Materials:** Zinc plated steel manifold, hardened steel inner parts.

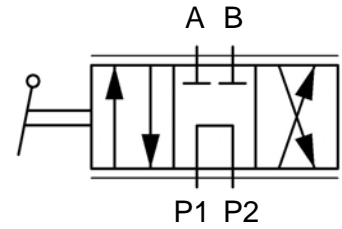
## Ordering Code

**VINVOMP 02**

## Dimensions



## Hydraulic Symbol



## Features

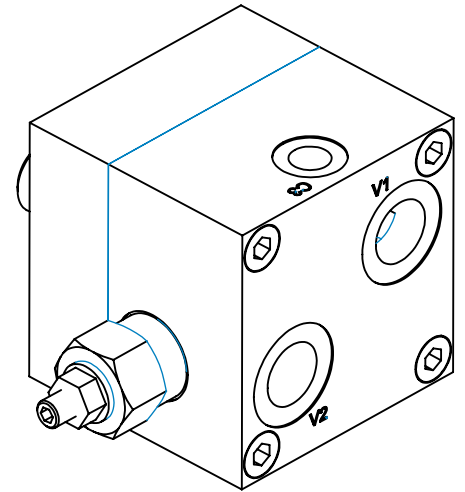
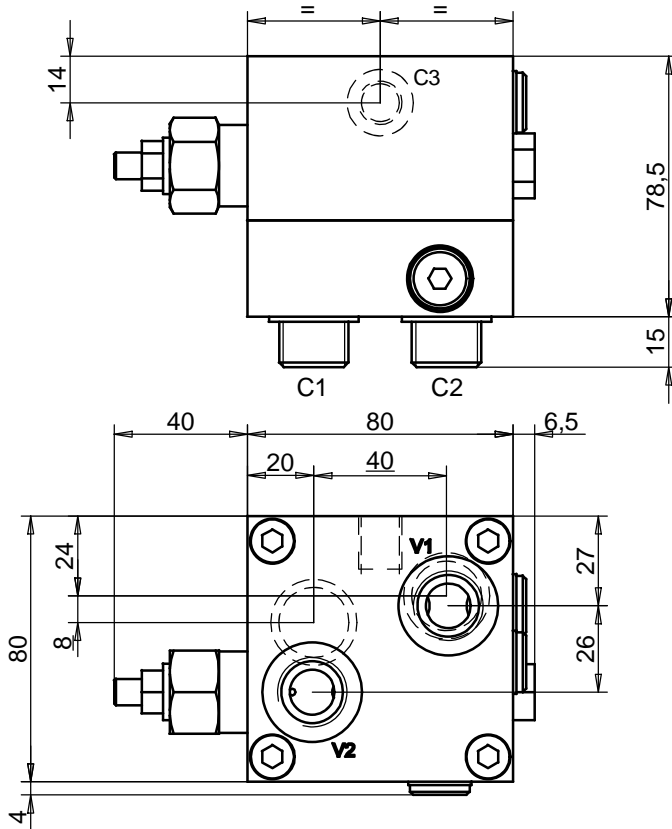
Max Flow	50 lpm
Max Pressure	350 bar
Ports	P1-P2: G 3/8

**Materials:** Zinc plated steel body

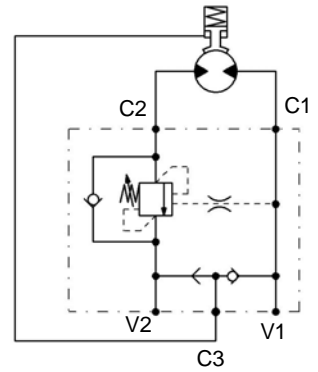
## Ordering Code

**VINVOMS 02**

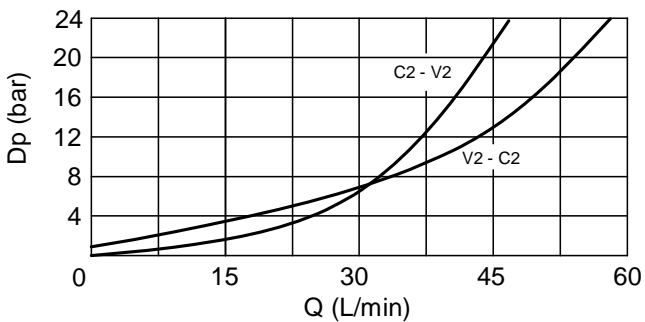
## Dimensions



## Hydraulic Symbol



## Curves



## Features

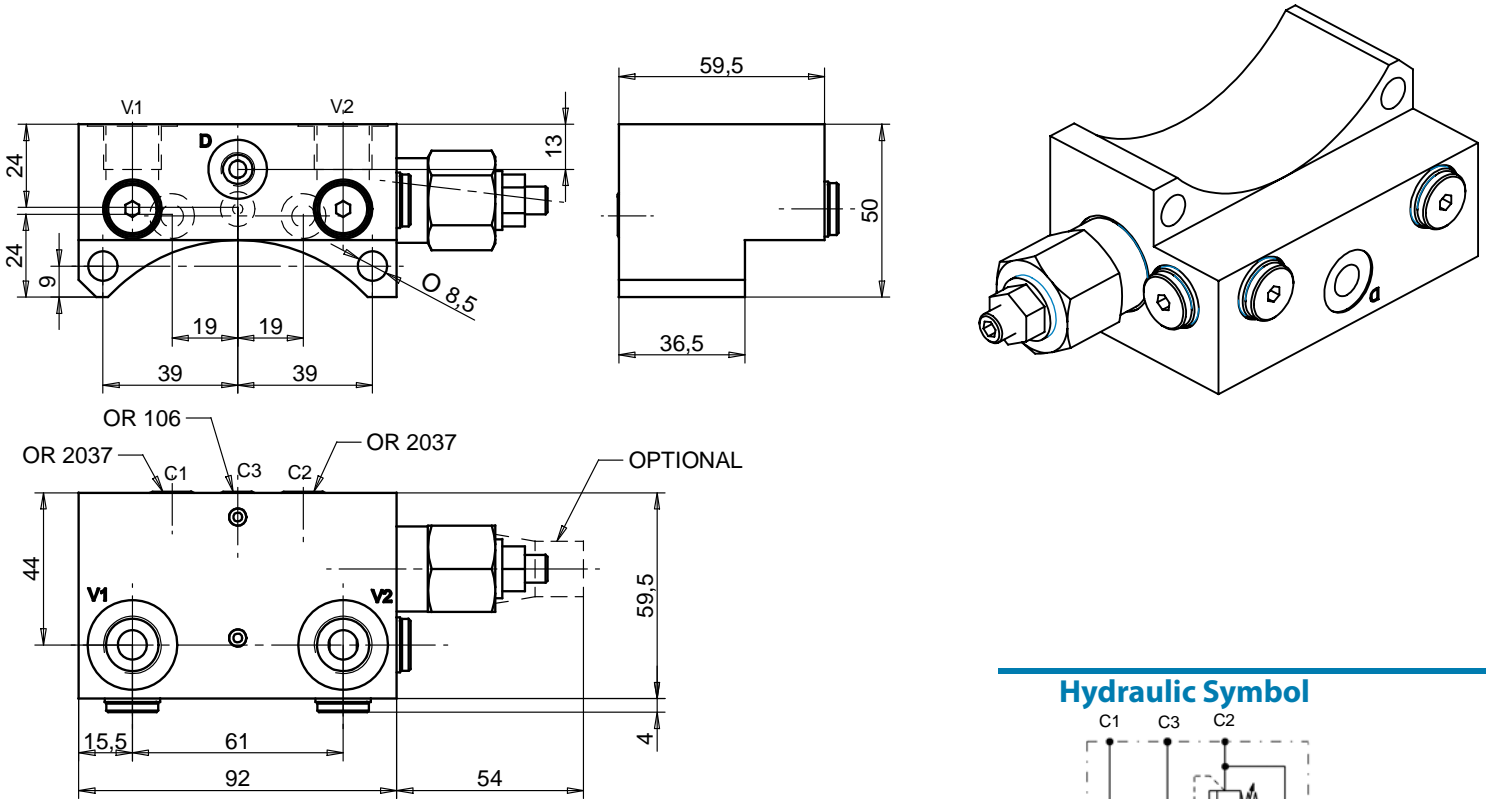
Max Flow	60 lpm
Max Pressure	250 bar
Pilot Ratio	4,2:1
Ports	V1-V2-C1-C2: G 1/2 C3: G 1/4
Std. Pressure range	100 - 350 bar

**Materials:** Zinc plated steel cartridge, hardened steel inner parts. Aluminium manifold.

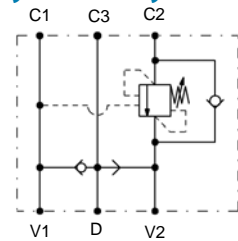
## Ordering Code

**CBSLSFBR 03**

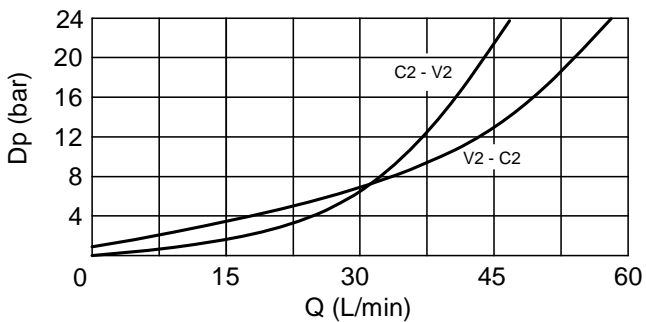
## Dimensions



## Hydraulic Symbol



## Curves



## Features

<b>Max Flow</b>	35 lpm
<b>Max Pressure</b>	250 bar
<b>Pilot Ratio</b>	4,2:1 Standard
<b>Ports</b>	V1-V2: G 3/8 C1-C2: Ø 6,5 C3: Ø 4 D: G 1/8

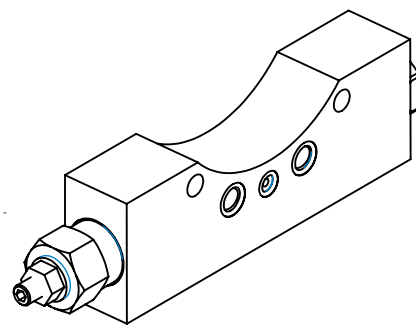
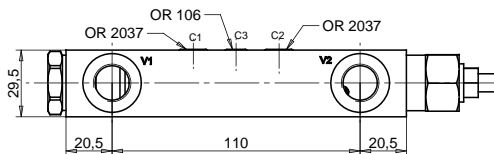
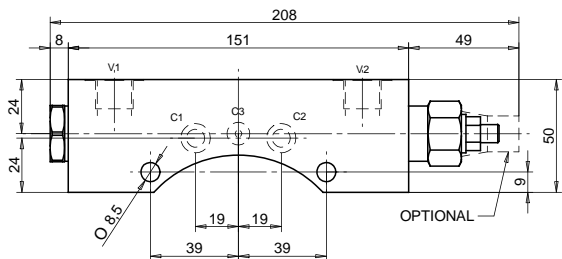
**Materials:** Zinc plated steel cartridge, hardened steel inner parts. Aluminium manifold.

## Ordering Code

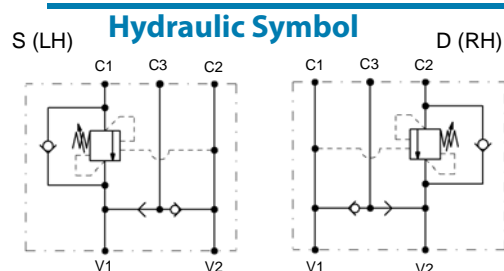
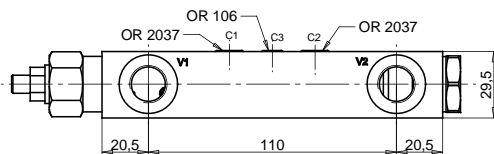
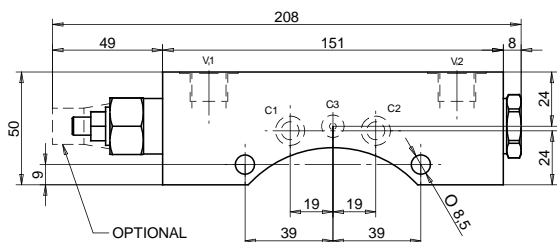
**CBSLSFBRZV 02**

## Dimensions

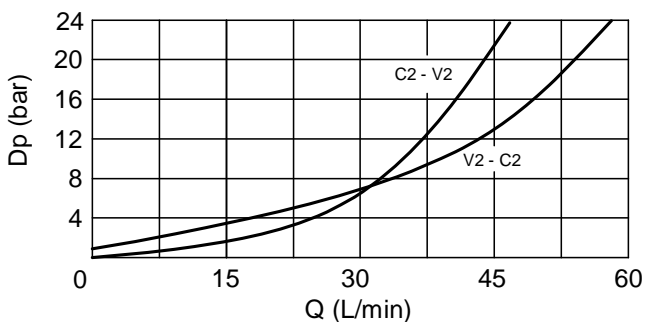
### CBSLBRZVRE D 02



### CBSLBRZVRE S 02



## Curves



**Materials:** Zinc plated steel cartridge, hardened steel inner parts.  
 Aluminium manifold.

## Features

<b>Max Flow</b>	60 lpm
<b>Max Pressure</b>	350 bar
<b>Pilot Ratio</b>	4,2:1 Standard
<b>Ports</b>	V1-V2: G 3/8 C1-C2: Ø 8 C3: Ø 4
<b>Std. Pressure range</b>	100 - 350 bar

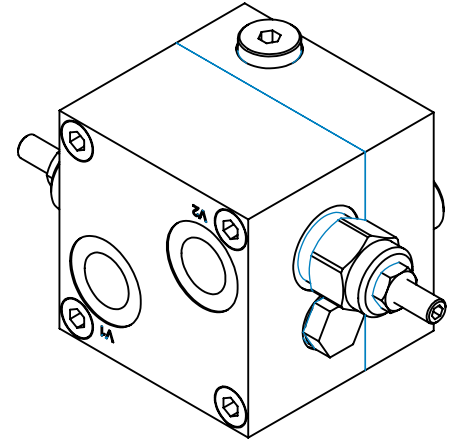
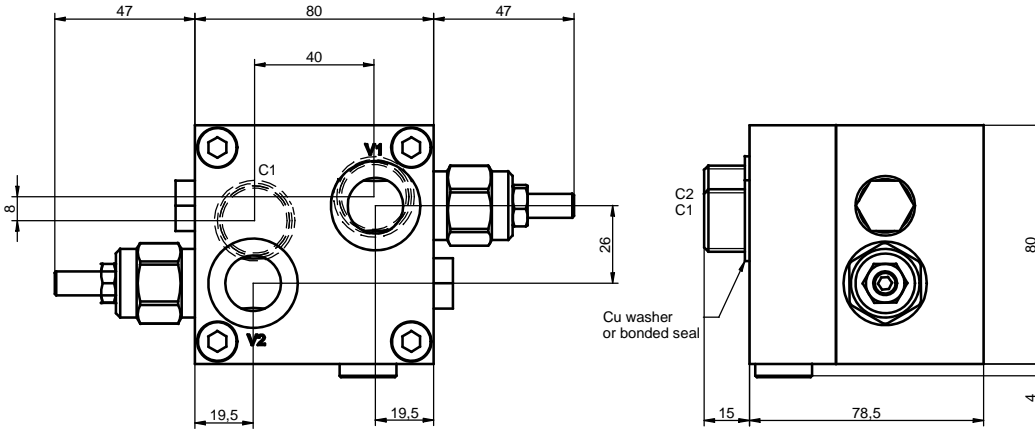
## Ordering Code

**CBSLBRZVRE 02** -

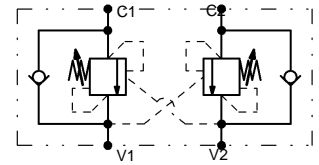
### Motor

<b>D</b>	Right hand size
<b>S</b>	Left hand size

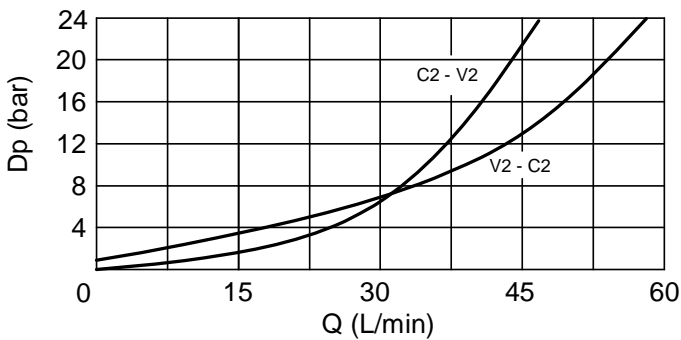
## Dimensions



## Hydraulic Symbol



## Curves



**Materials:** Zinc plated steel cartridge, hardened steel inner parts.  
Aluminium manifold.

## Features

Max Flow	60 lpm
Max Pressure	250 bar
Pilot Ratio	4,2:1 Standard
Ports	V1-V2: G 1/2 C1-C2: G 1/2
Std. Pressure range	100 - 350 bar

## Ordering Code

**CBDLBG03**

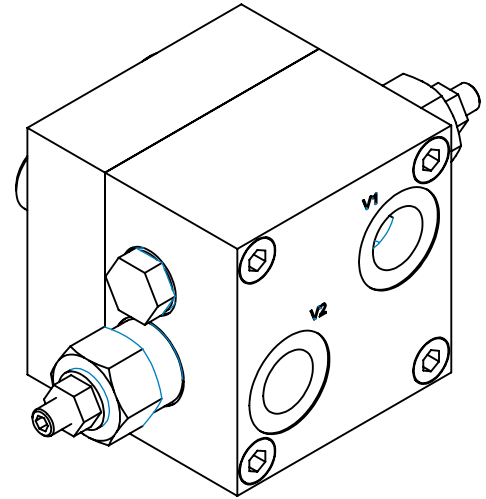
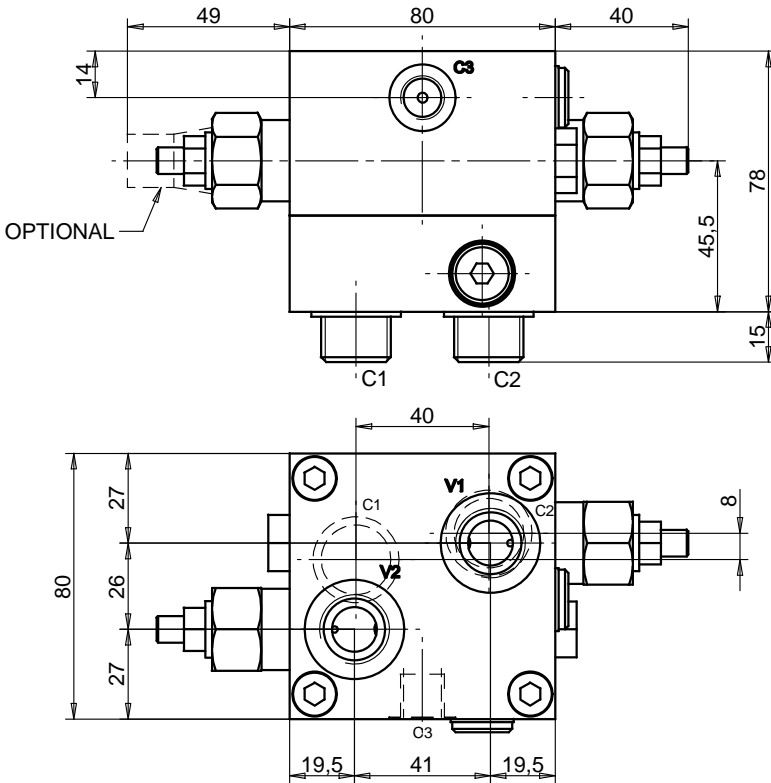
--

### Spring (bar)

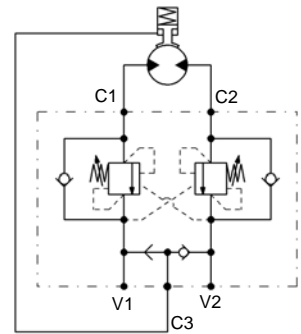
<b>20</b>	60-210
<b>30</b>	100-350

**Ordering Code Example:** CBDLBG0330 = 100-350 bar setting range

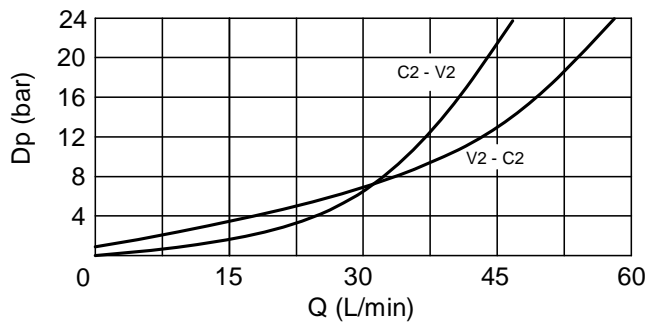
## Dimensions



## Hydraulic Symbol



## Curves



**Materials:** Zinc plated steel cartridge, hardened steel inner parts.  
Aluminium manifold.

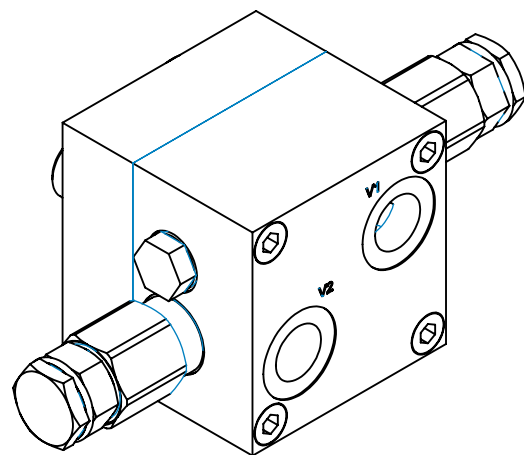
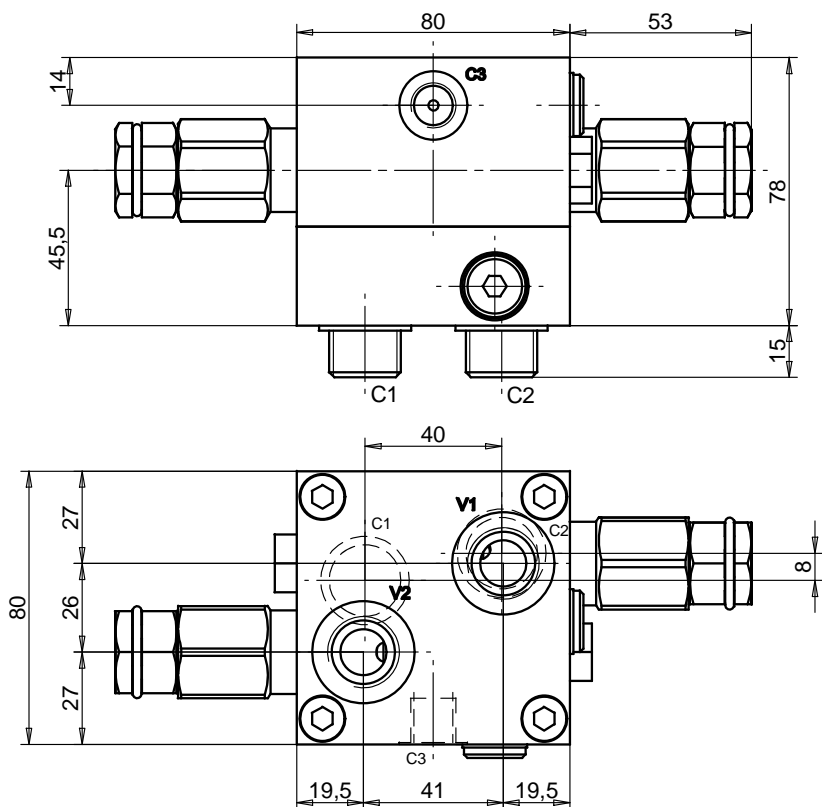
## Features

Max Flow	60 lpm
Max Pressure	250 bar
Pilot Ratio	4,2:1 Standard
Ports	V1-V2: G 1/2 C1-C2: G 1/2 C3: G 1/4

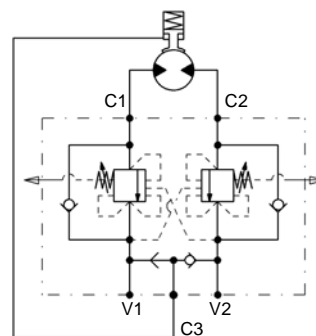
## Ordering Code

**CBDLSFBG 03**

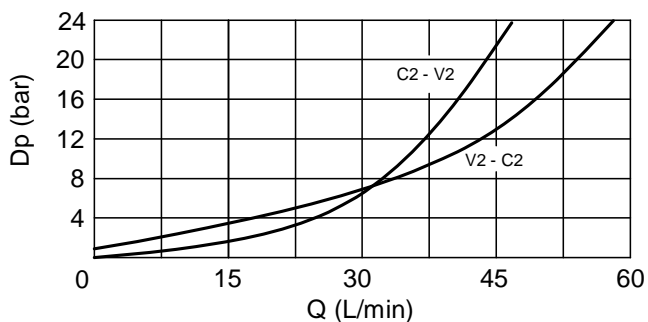
**Dimensions**



**Hydraulic Symbol**



**Curves**



**Materials:** Zinc plated steel cartridge, hardened steel inner parts.  
Aluminium manifold.

**Features**

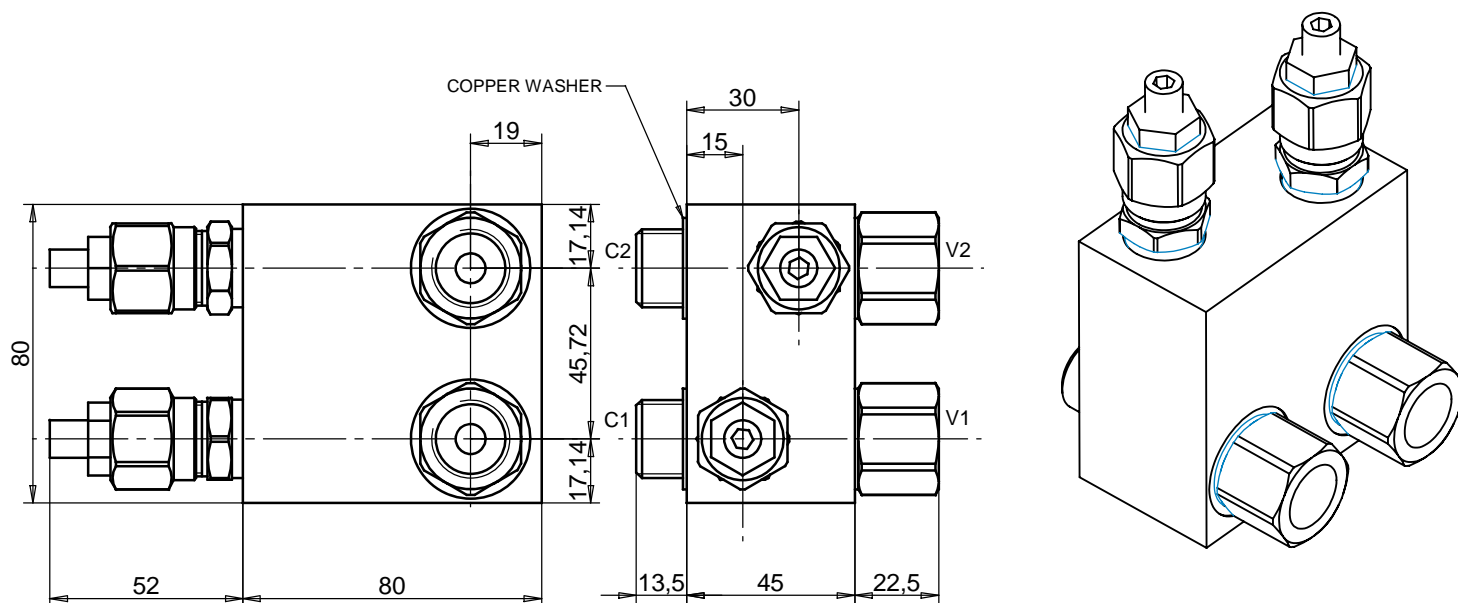
<b>Max Flow</b>	60 lpm
<b>Max Pressure</b>	250 bar
<b>Pilot Ratio</b>	4,2:1 Standard
<b>Ports</b>	V1-V2: G 1/2 C1-C2: G 1/2 C3: G 1/4
<b>Std. Pressure range</b>	100 - 350 bar

**Ordering Code**

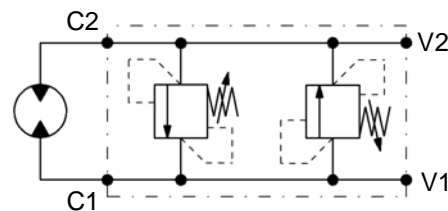
**CBDLSFBGCC 03**



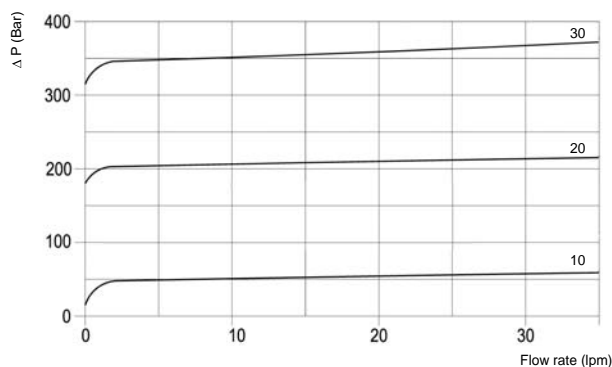
## Dimensions



## Hydraulic Symbol



## Curves



## Features

Max Flow	50 lpm
Max Pressure	250 bar
Ports	V1-V2: G 1/2 C1-C2: G 1/2
Std. Pressure range	100 - 350 bar

**Materials:** Zinc plated steel cartridge, hardened steel inner parts.  
Aluminium manifold.

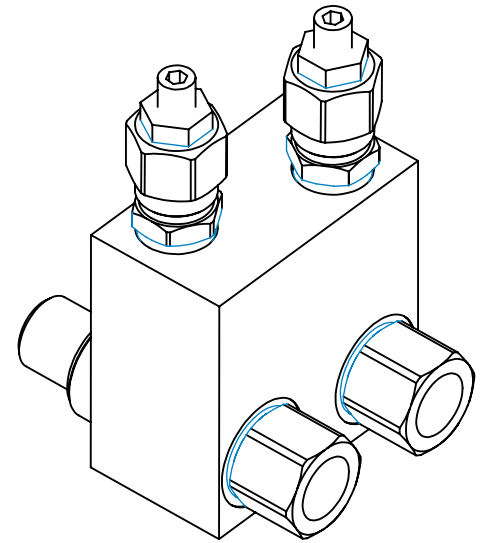
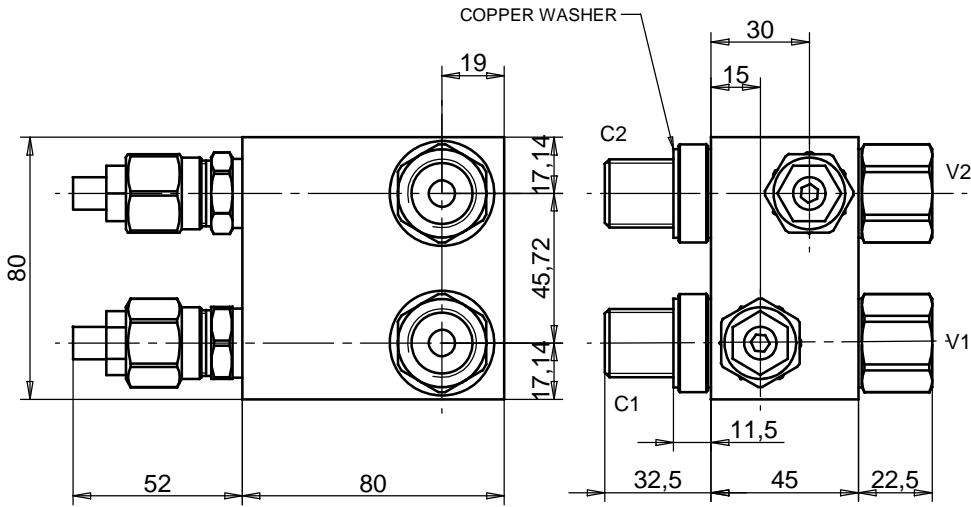
## Ordering Code

DPRCHLH-R35 03

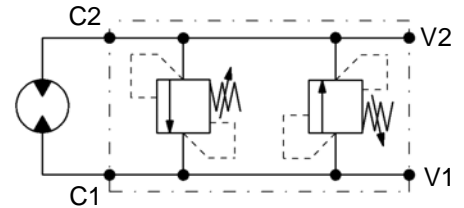
## Adjustments

A		Socket Screw
C		Tamperproof Cap

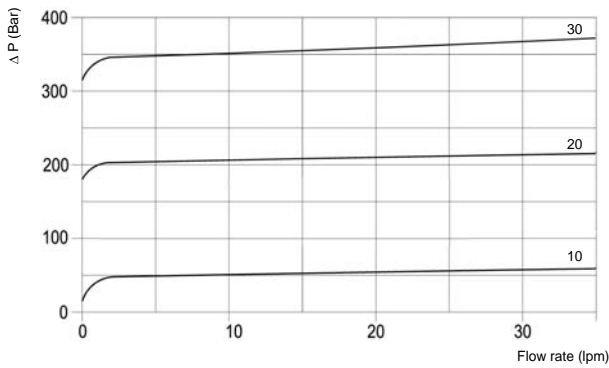
Dimensions



Hydraulic Symbol



Curves



Features

Max Flow	50 lpm
Max Pressure	250 bar
Ports	V1-V2: G 1/2 C1-C2: G 1/2

**Materials:** Zinc plated steel cartridge, hardened steel inner parts.  
Aluminium manifold.

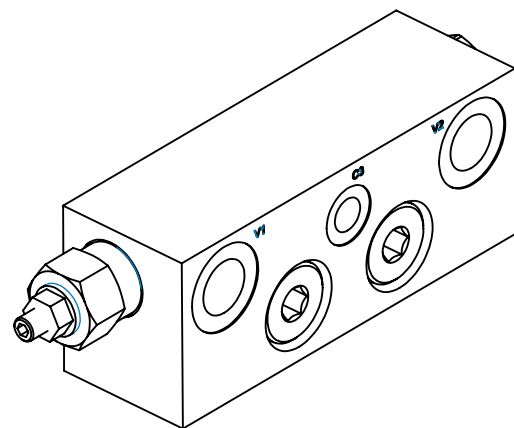
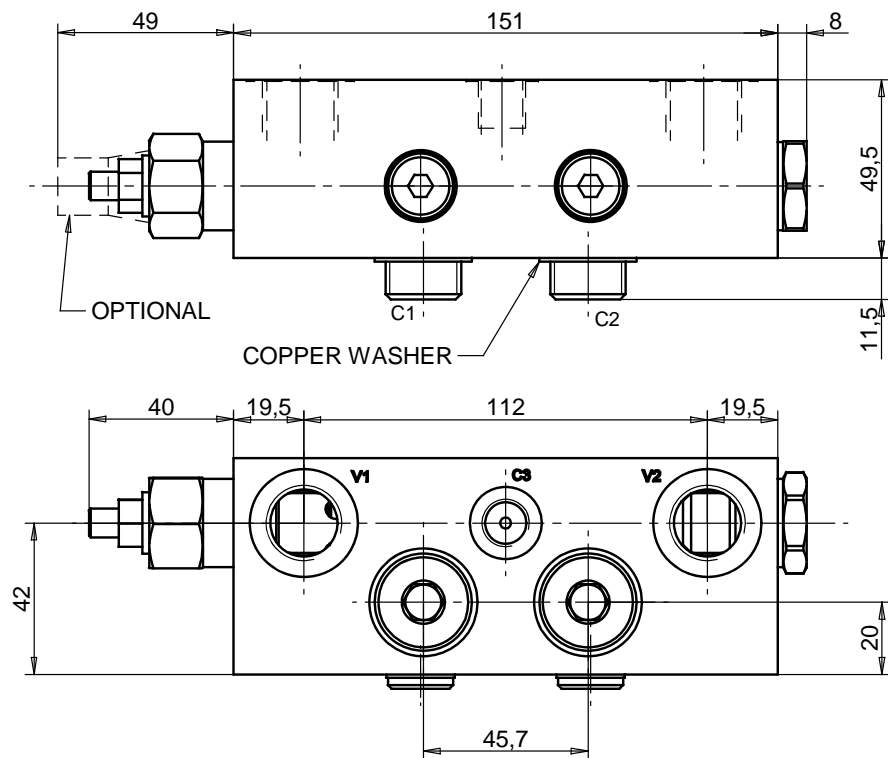
Ordering Code

DPRCHLS-R35 03

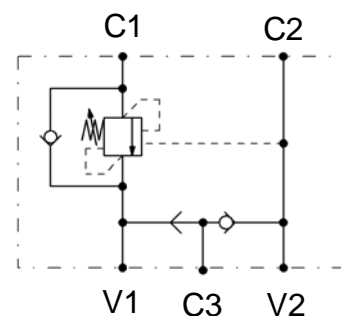
Adjustments

A		Socket Screw
C		Tamperproof Cap

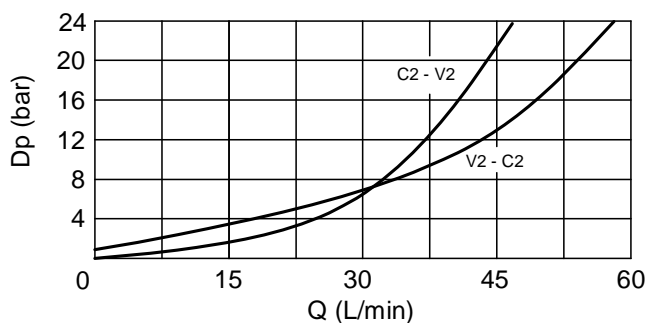
## Dimensions



## Hydraulic Symbol



## Curves



**Materials:** Zinc plated steel cartridge, hardened steel inner parts.  
Aluminium manifold.

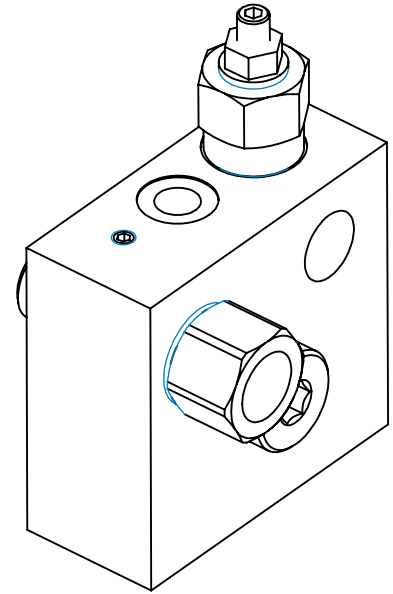
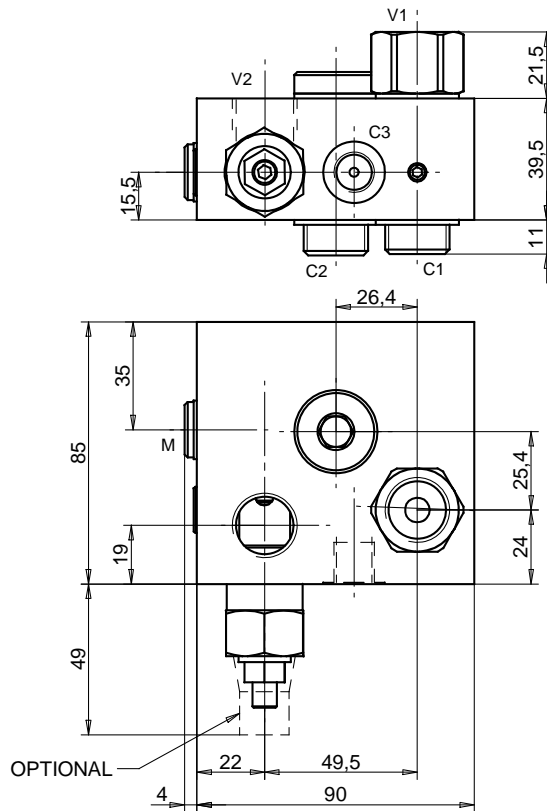
## Features

<b>Max Flow</b>	60 lpm
<b>Max Pressure</b>	250 bar
<b>Pilot Ratio</b>	4,2:1 Standard
<b>Ports</b>	V1-V2: G 1/2 C1-C2: G 1/2 C3: G 1/4
<b>Std. Pressure range</b>	100 - 350 bar

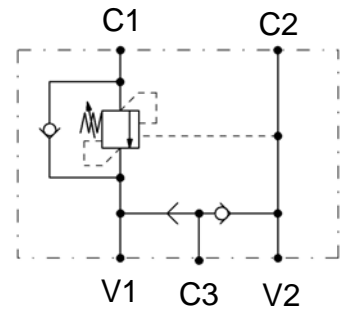
## Ordering Code

**CBSLSFCHLHS 03**

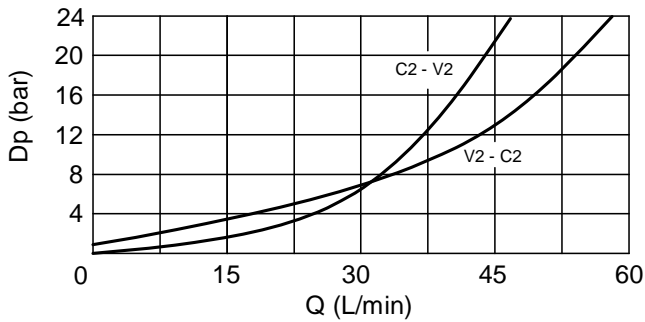
## Dimensions



## Hydraulic Symbol



## Curves



**Materials:** Zinc plated steel cartridge, hardened steel inner parts.  
Aluminium manifold.

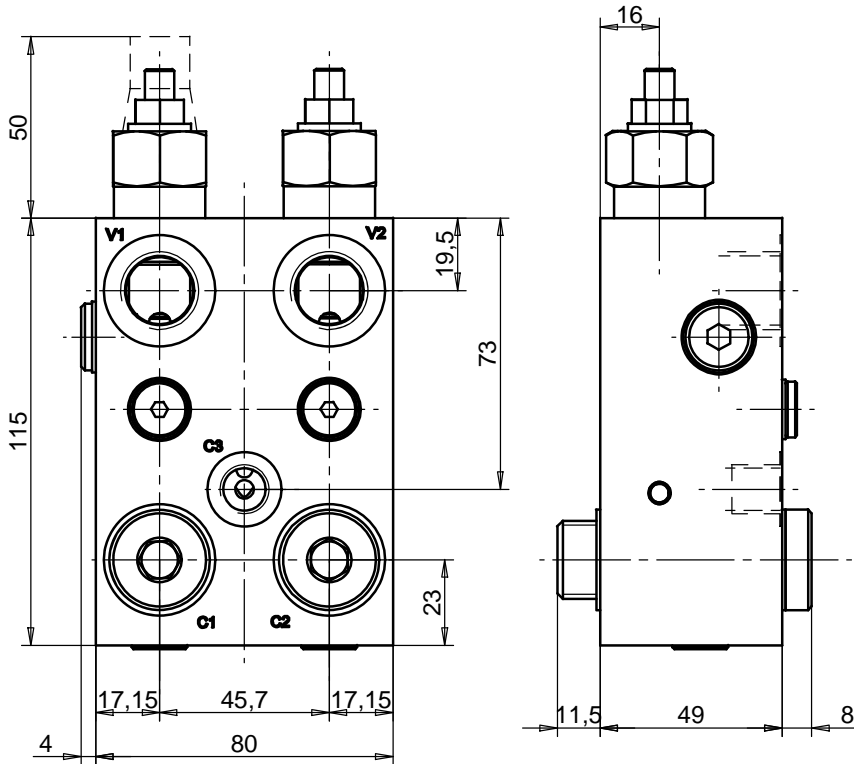
## Features

<b>Max Flow</b>	60 lpm
<b>Max Pressure</b>	250 bar
<b>Pilot Ratio</b>	4,2:1 Standard
<b>Ports</b>	V1-V2: G 1/2 C1-C2: G 1/2 C3: G 1/4
<b>Std. Pressure range</b>	100 - 350 bar

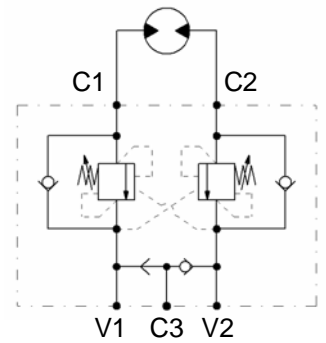
## Ordering Code

**CBSLSFCHLDM 03**

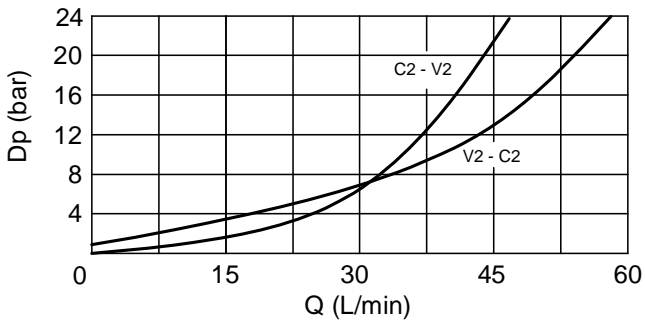
## Dimensions



## Hydraulic Symbol



## Curves



**Materials:** Zinc plated steel cartridge, hardened steel inner parts.  
Aluminium manifold.

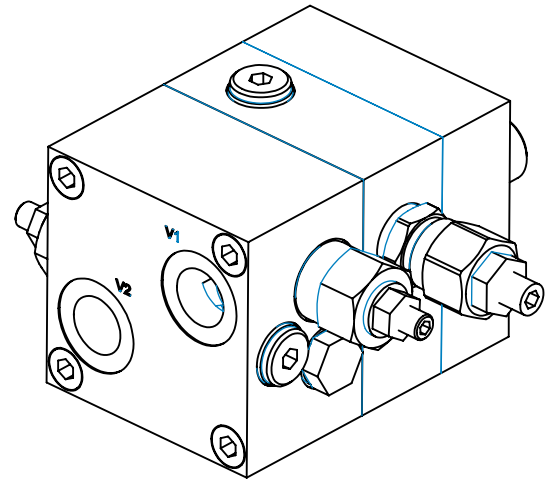
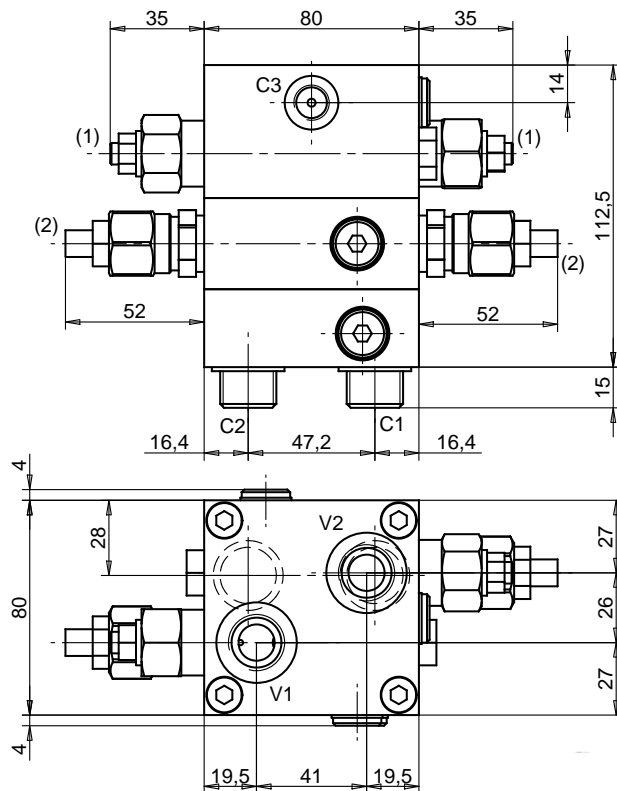
## Features

Max Flow	50 lpm
Max Pressure	250 bar
Pilot Ratio	4,2:1 Standard
Ports	V1-V2: G 1/2 C1-C2: G 1/2 C3: G 1/4
Std. Pressure range	100 - 350 bar

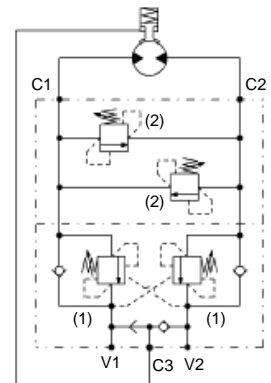
## Ordering Code

**CBDLSFCHLH 03**

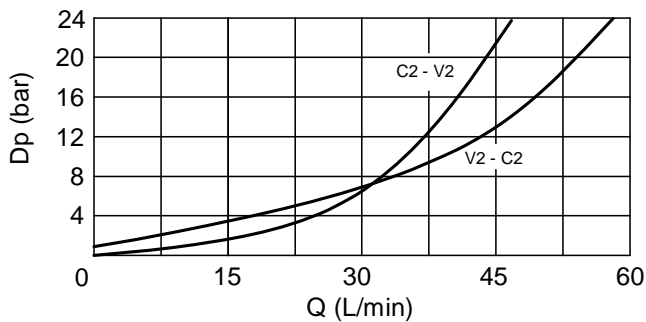
## Dimensions



## Hydraulic Symbol



## Curves



**Materials:** Zinc plated steel cartridge, hardened steel inner parts.  
Aluminium manifold.

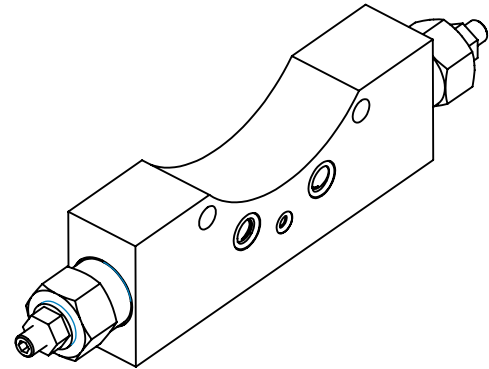
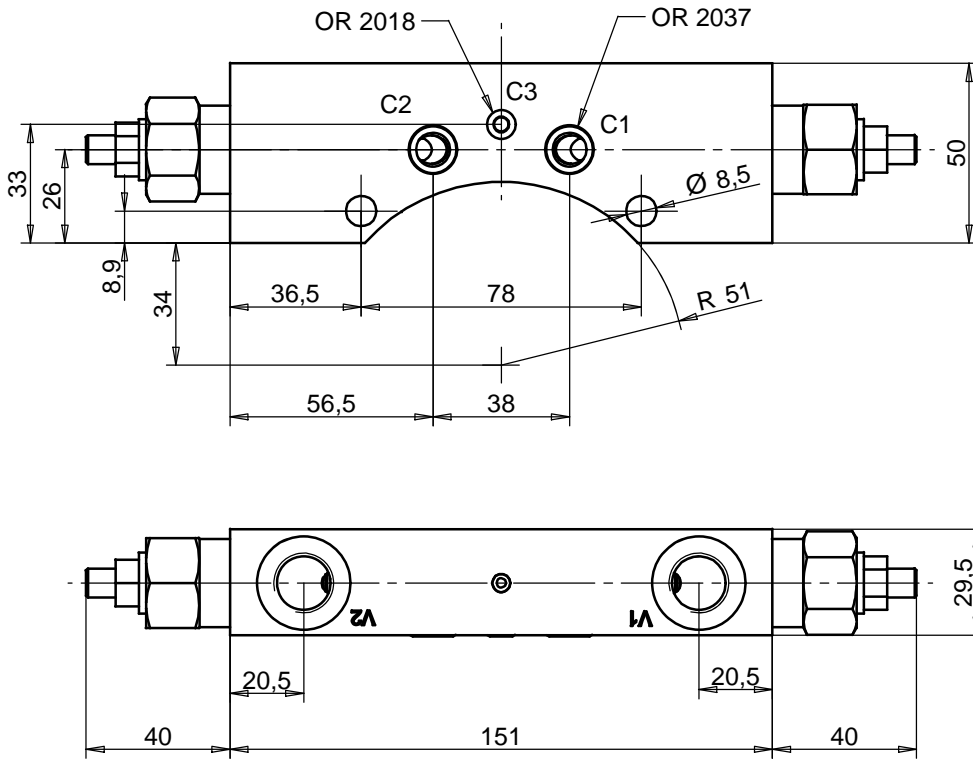
## Features

Max Flow	60 lpm
Max Pressure	250 bar
Pilot Ratio	4,2:1
Ports	V1-V2: G 1/2 C1-C2: G 1/2 C3: G 1/4
Std. Pressure range	100 - 350 bar

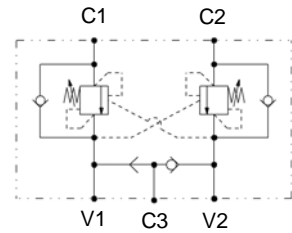
## Ordering Code

**CBDLSFDPCHLH 03**

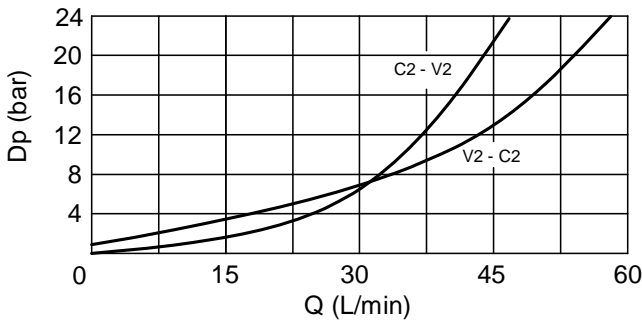
**Dimensions**



**Hydraulic Symbol**



**Curves**



**Features**

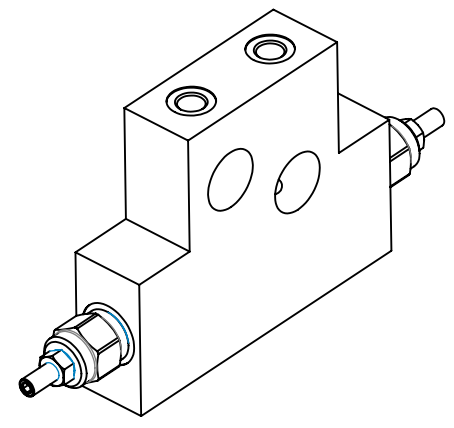
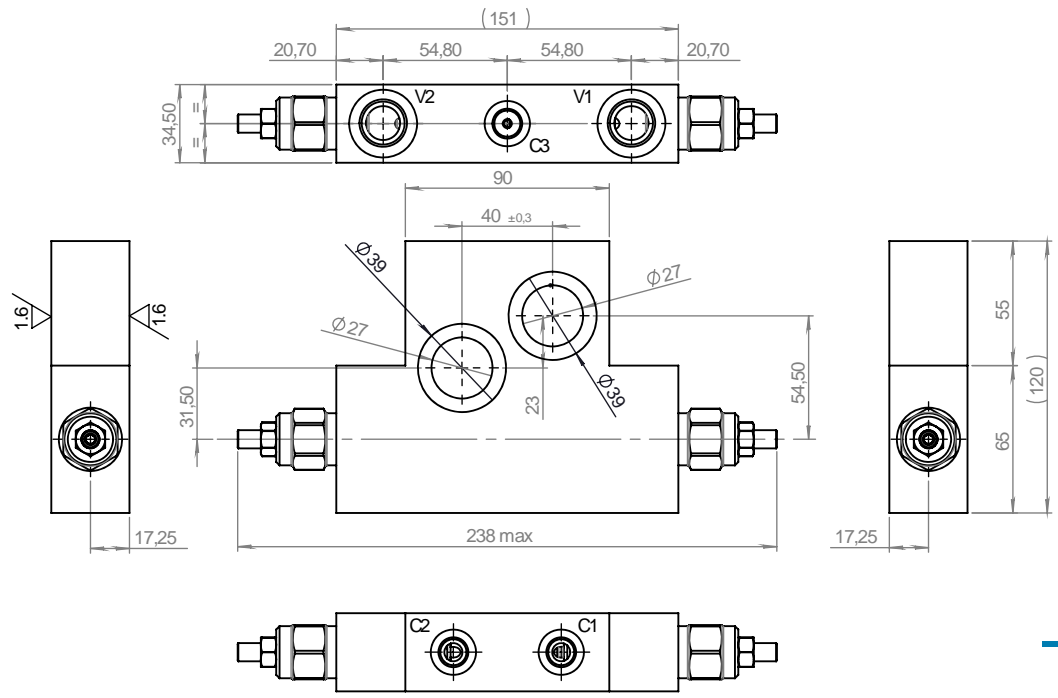
Max Flow	60 lpm
Max Pressure	250 bar
Pilot Ratio	4,2:1
Std. Pressure range	100 - 350 bar
Ports	V1-V2: G 3/8

**Materials:** Zinc plated steel cartridge, hardened steel inner parts.  
Aluminium manifold.

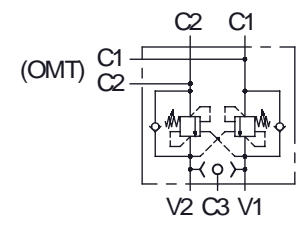
**Ordering Code**

**CBDLSFGWP 02**

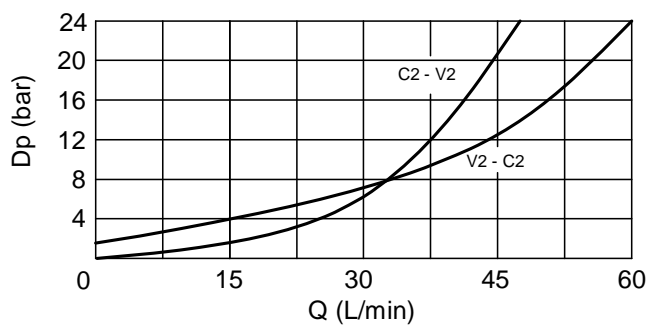
## Dimensions



## Hydraulic Symbol



## Curves



**Materials:** Zinc plated steel cartridge, hardened steel inner parts. Aluminium manifold.

## Features

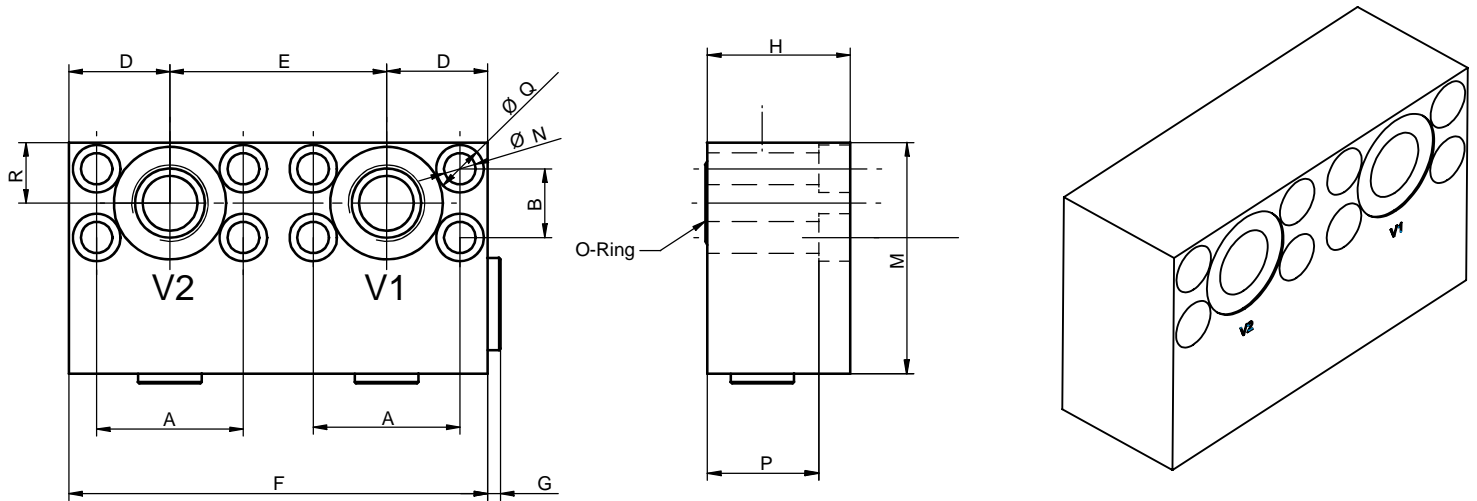
Max Flow	60 lpm
Max Pressure	250 bar
Pilot Ratio	4,2:1
Std. Pressure range	100 - 350 bar
Ports V1 - V2	G 1/2
Ports C1 - C2 - C3	G 1/4

## Ordering Code

**CBDLSFOMT04**

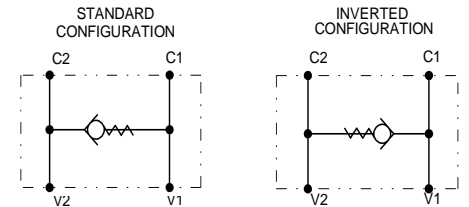


### Dimensions



Size	V1-V2 BSP	A	B	C1-C2 Ø	D	E	F	G	H	M	N Ø	P	Q Ø	R	Weight kg
03	1/2	40,5	18,2	13,5	28	59	115	4,5	39,5	70	13,5	29,5	8,5	17	2,05
04	3/4	50,8	23,8	19	35	75	145	4,5	49,5	80	16,5	38,5	11	21	3,55
05	1	57,2	27,8	25	39,5	84	163	4,5	49,5	90	18,5	36	12,5	25	4,38
06	1	66,7	31,8	30	47,5	99	194	4,5	59,5	100	22	45,5	15	28	7,95

### Hydraulic Symbol



### Features

Size	03	04	05	06
Max Pressure (bar)	350	350	350	350
Max Flow (lpm)	120	170	250	320
V1 - V2 Ports (BSP)	1/2	3/4	1	1
C1 - C2 Ports (Ø mm)	13,5	19	25	30
Cracking Pressure (bar)	0,5	0,5	0,5	0,5

**Materials:** Zinc plated steel body.

### Ordering Code

**ACVSU** -- -

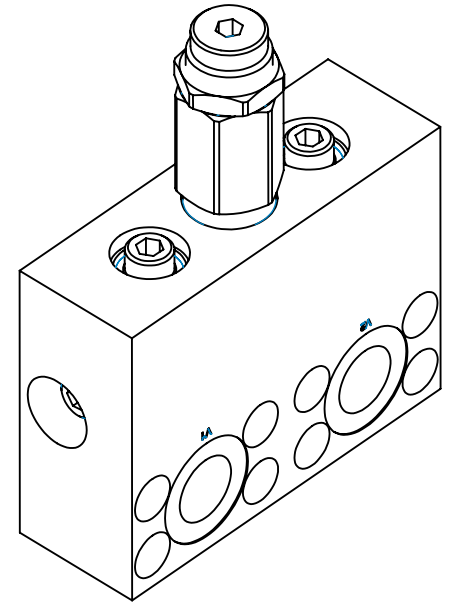
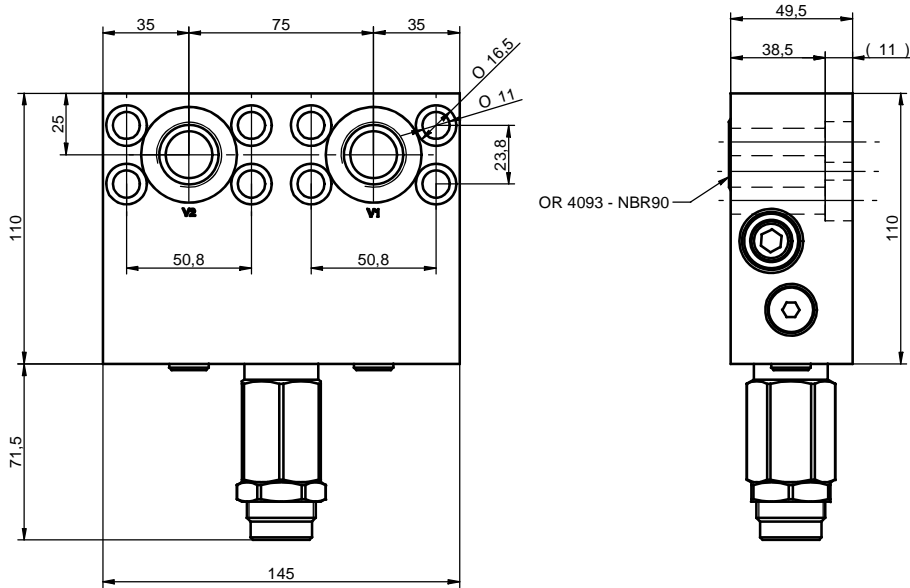
	V1-V2 Size (BSP)	C1-C2 Size (Ømm)
<b>03</b>	1/2	13,5
<b>04</b>	3/4	19
<b>05</b>	1	25
<b>06</b>	1	30

#### Configuration

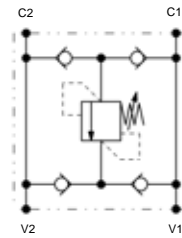
	Standard configuration
<b>R</b>	Inverted configuration

**Ordering Code Example:** ACVSU04R = 3/4 BSP (V1 - V2), Ø19 mm (C1 - C2), inverted configuration

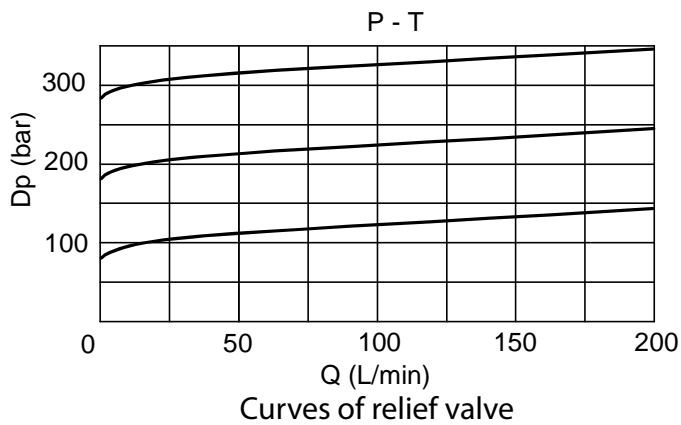
## Dimensions



## Hydraulic Symbol



## Curves



## Features

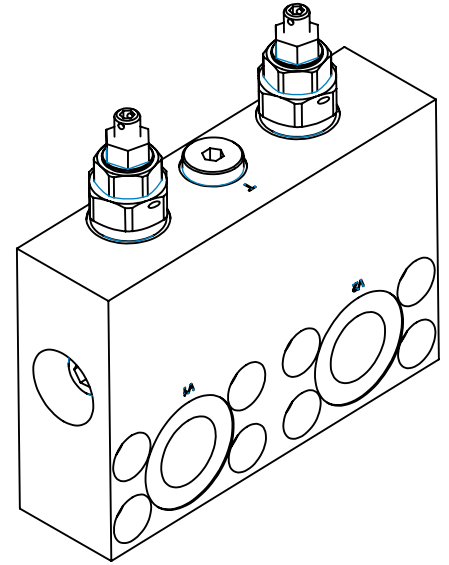
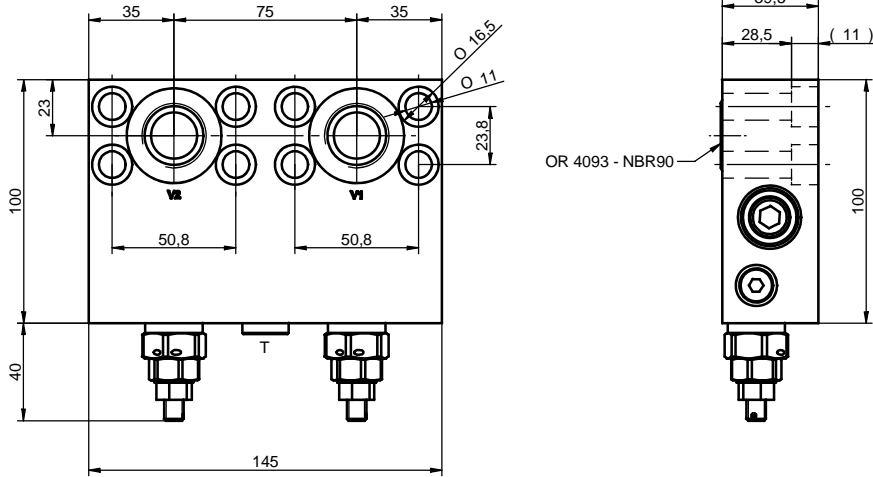
Max Flow	170 lpm
Max Pressure	350 bar
Relief Pressure Range	100 - 350 bar
Ports	V1-V2: G 3/4 C1-C2: $\varnothing$ 19 mm

**Materials:** Zinc plated steel manifold, hardened steel inner parts.

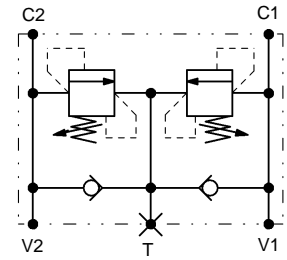
## Ordering Code

**ACVDRSUA04**

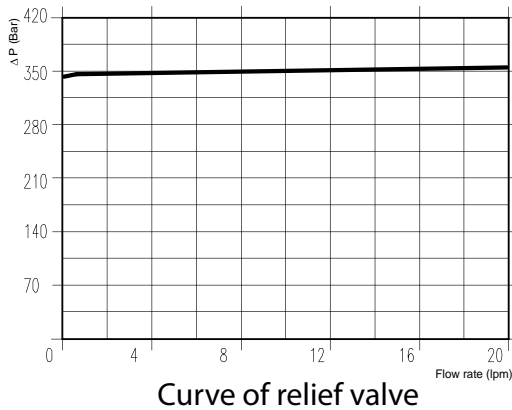
Dimensions



Hydraulic Symbol



Curves



Features

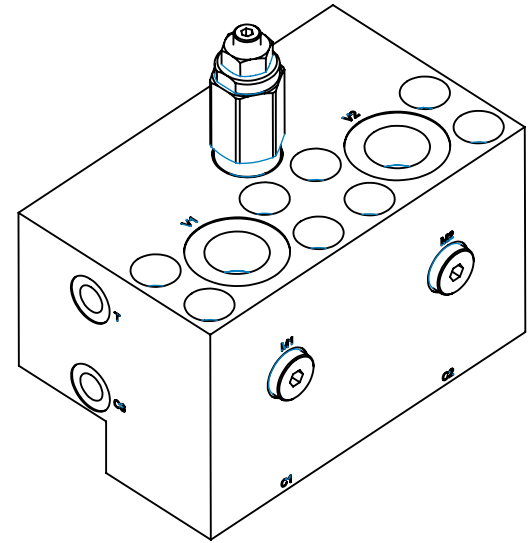
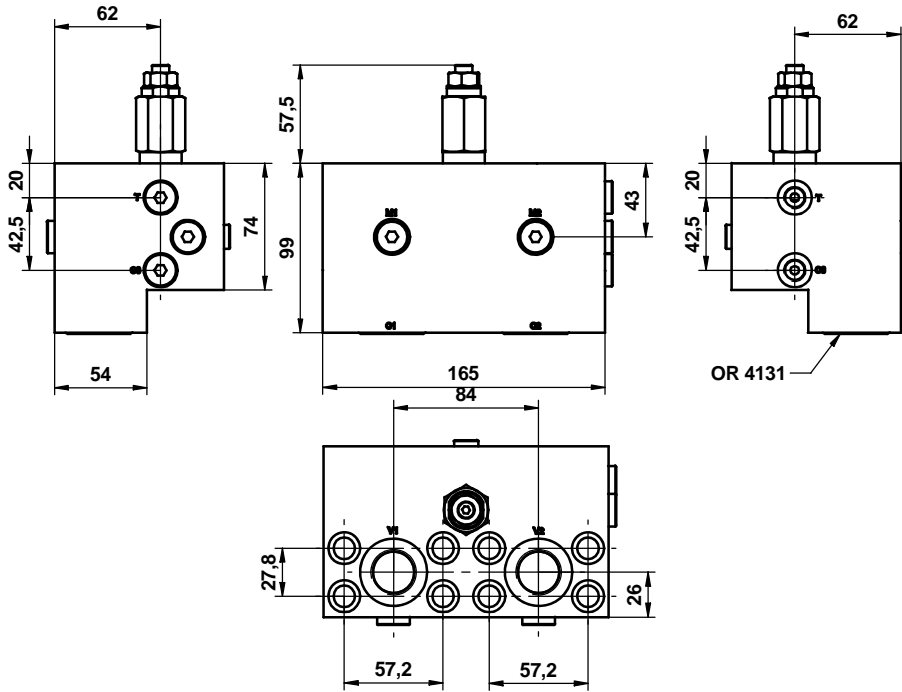
Max Flow	170 lpm
Max Pressure	350 bar
Relief Pressure Range	100 - 350 bar
Relief Max Flow	20 lpm
Ports	V1-V2: G 3/4 C1-C2: $\varnothing$ 19 mm

**Materials:** Zinc plated steel manifold, hardened steel inner parts.

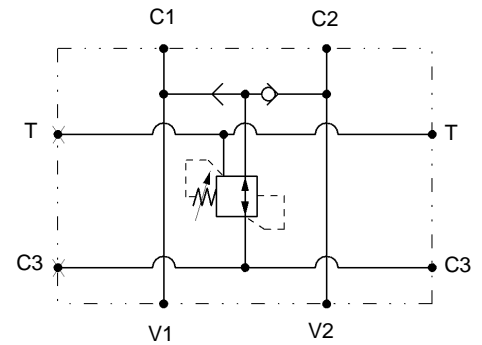
Ordering Code

ACVDRSUB04

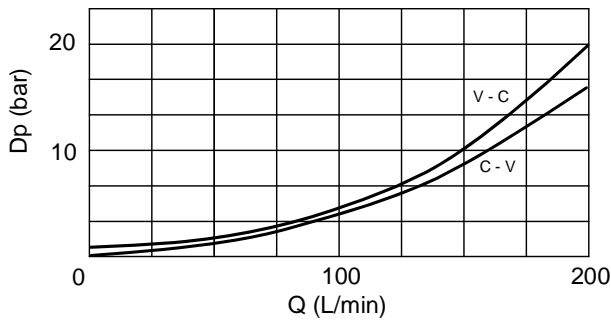
## Dimensions



## Hydraulic Symbol



## Curves



**Materials:** Aluminium manifold, hardened steel inner parts.

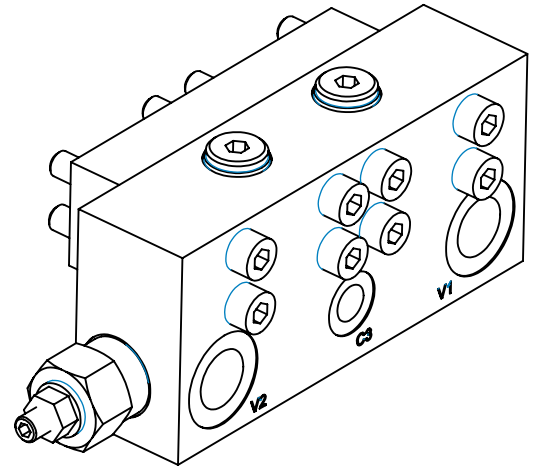
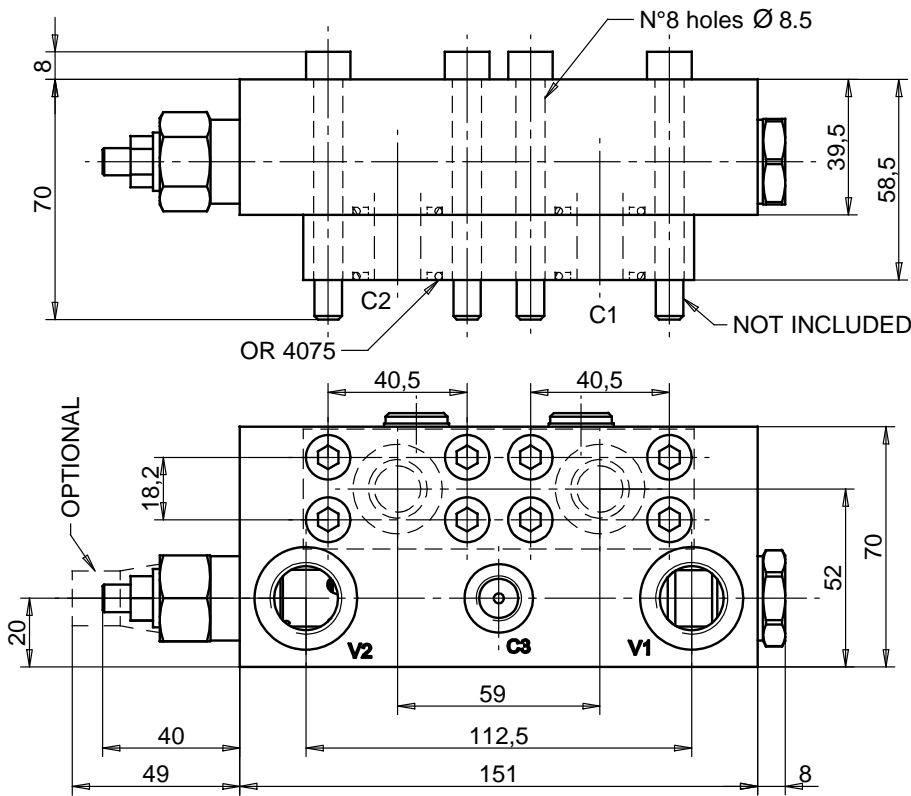
## Features

Max Flow	200 lpm
Max Pressure	350 bar
Pilot Ratio	4:1
Brake Pres. Reducer Range	30 - 200 bar (standard setting 35 bar)
Ports	V1-V2: G 3/4 C1-C2: 1" SAE 6000 C3-T-M1-M2: G 1/4

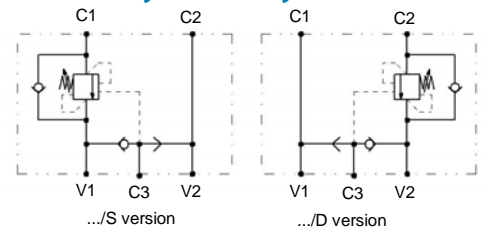
## Ordering Code

VPREDF05S 04

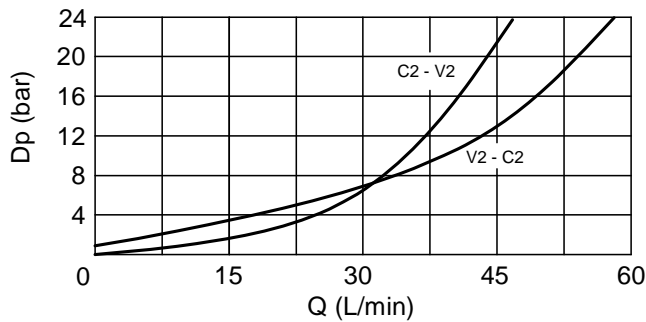
## Dimensions



## Hydraulic Symbol



## Curves



**Materials:** Zinc plated steel cartridge, hardened steel inner parts.  
Aluminium manifold.

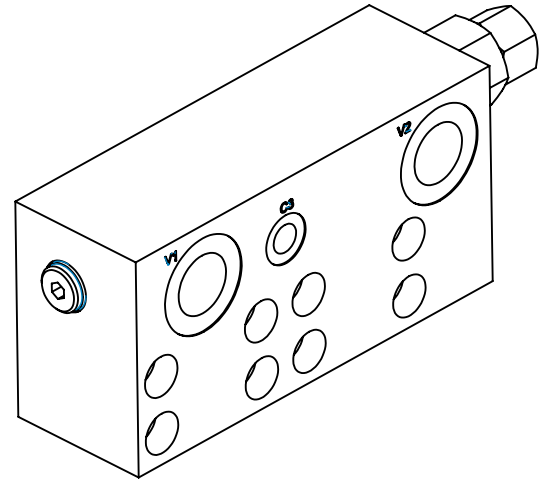
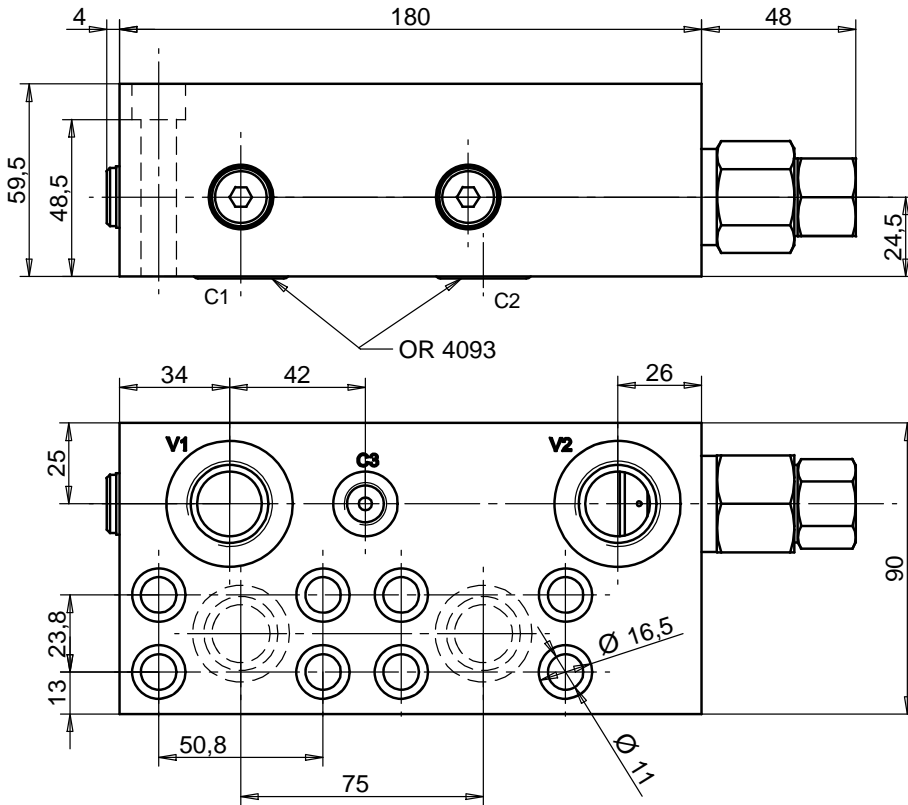
## Features

Max Flow	60 lpm
Max Pressure	250 bar
Pilot Ratio	4,2:1- Standard
Ports	V1-V2: G 1/2 C1-C2: 1/2 SAE 6000 C3: G 1/4
Std. Pressure range	100 - 350 bar

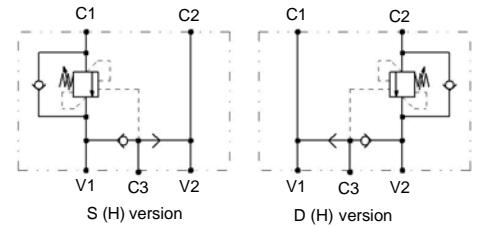
## Ordering Code

**CBSLSFRX 03**

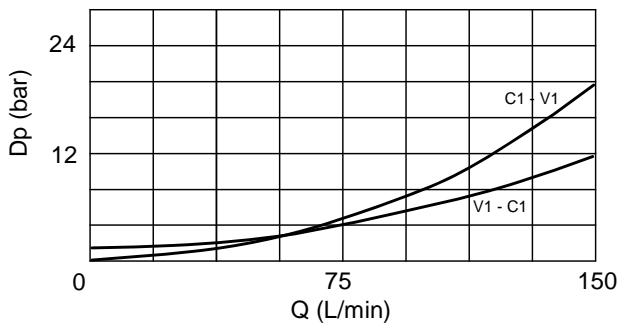
## Dimensions



## Hydraulic Symbol



## Curves



**Materials:** Zinc plated steel cartridge, hardened steel inner parts.  
Aluminium manifold.

## Features

Max Flow	120 lpm
Max Pressure	350 bar
Pilot Ratio	4:1 Standard
Ports	V1-V2: G 3/4 C1-C2: 3/4 SAE 6000 C3: G 1/4
Std. Pressure range	100 - 350 bar

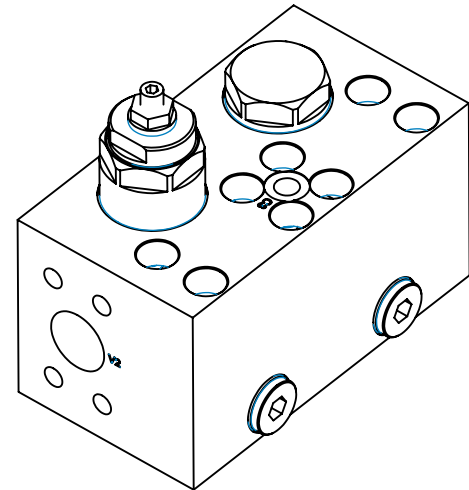
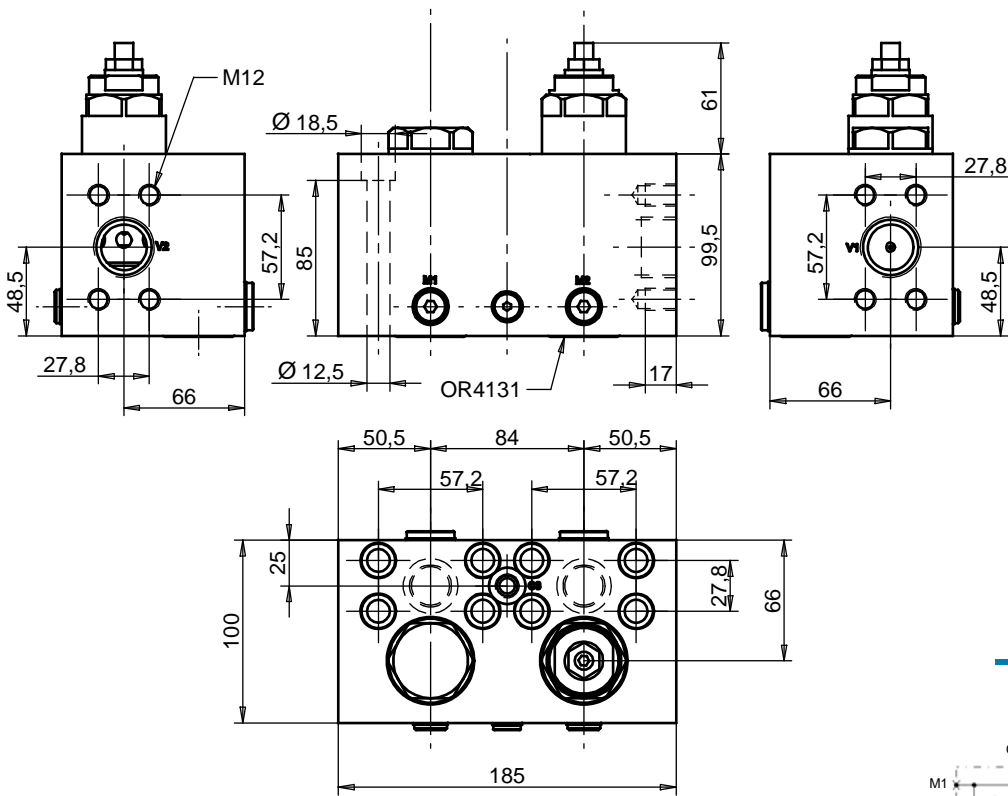
## Ordering Code

**CB150SLSFRX 04** -

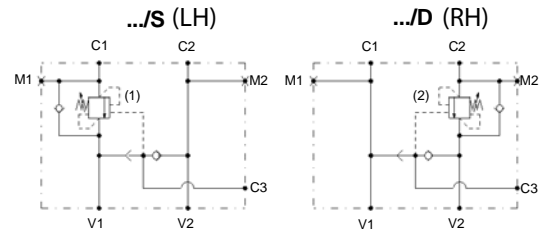
### Valve side

<b>D</b>	Right hand side
<b>S</b>	Left hand side

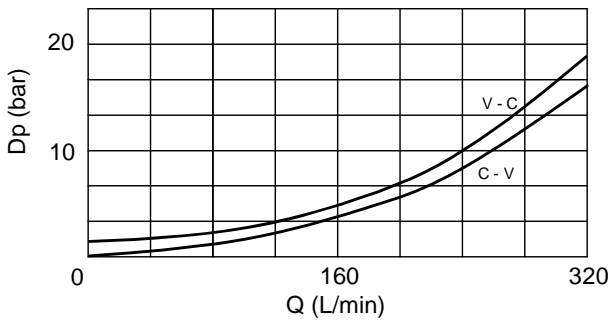
**Dimensions**



**Hydraulic Symbol**



**Curves**



**Materials:** Zinc plated steel body

**Features**

<b>Max Flow</b>	320 lpm
<b>Max Pressure</b>	350 bar
<b>Pilot Ratio</b>	4:1 Standard
<b>Std. Pressure range</b>	140-350 bar
<b>Ports</b>	V1-V2: 1" SAE 6000 C1-C2: 1" SAE 6000 C3-M1-M2: G 1/4

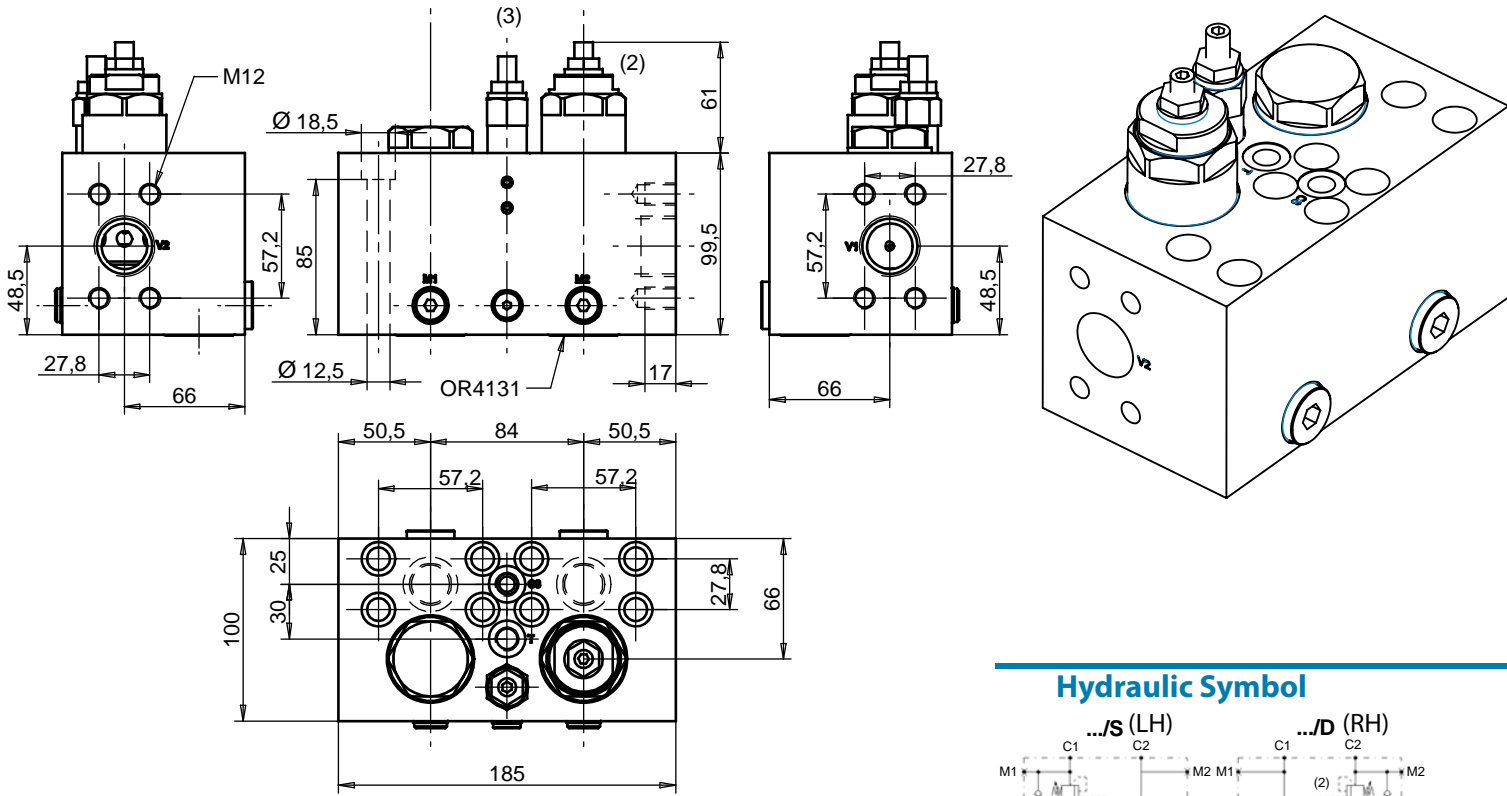
**Ordering Code**

**CBCE300SLFRX 05** -

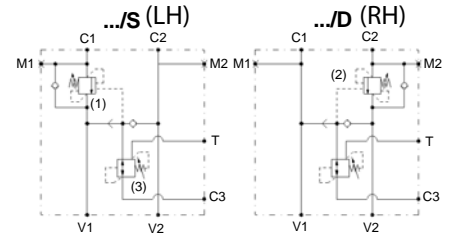
**Valve side**

<b>D</b>	Right hand side
<b>S</b>	Left hand side

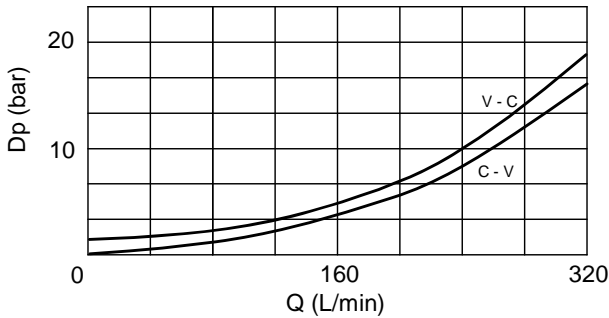
**Dimensions**



**Hydraulic Symbol**



**Curves**



**Materials:** Zinc plated steel body.

**Features**

<b>Max Flow</b>	320 lpm
<b>Max Pressure</b>	350 bar
<b>Pilot Ratio</b>	4:1 Standard
<b>Std. Pressure range</b>	(2):140-350 bar / (3):10-100 bar
<b>Ports</b>	V1-V2: 1" SAE 6000 C1-C2: 1" SAE 6000 C3-T-M1-M2: G 1/4

**Ordering Code**

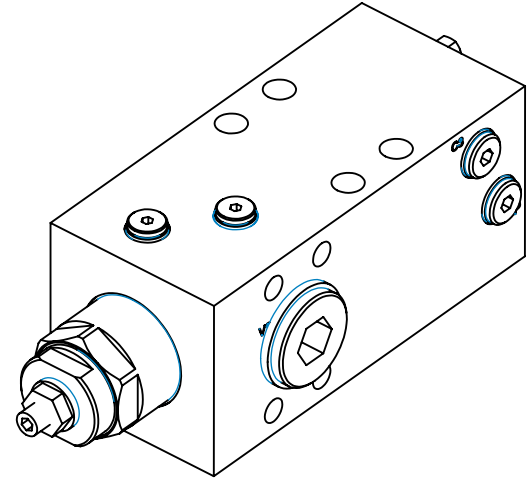
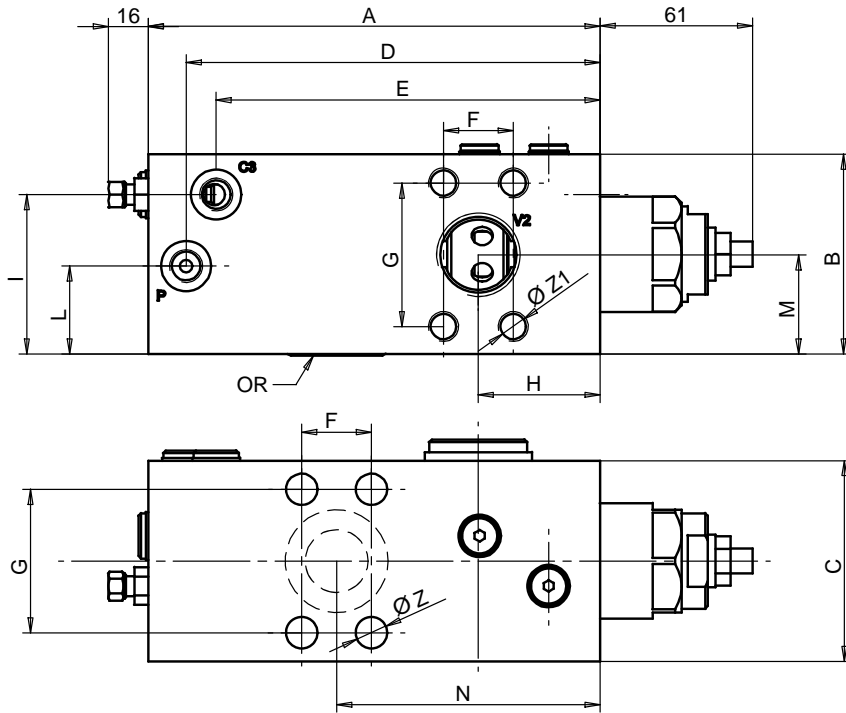
**CBCE300SLSFPRDRXD 05**

**Valve side**

<b>D</b>	Right hand side
<b>S</b>	Left hand side

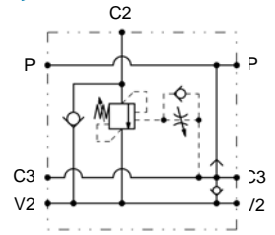


## Dimensions

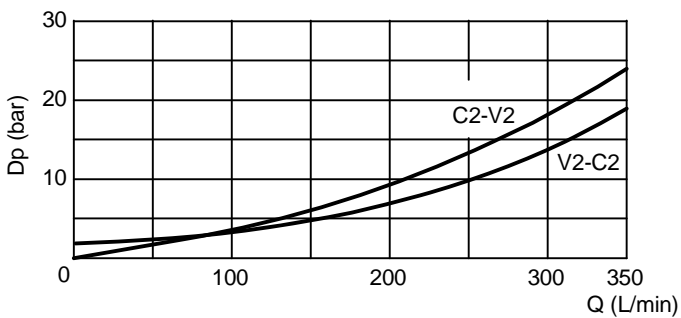


"X"	V2-C2	A	B	C	D	E	F	G	H	I	L	M	N	Z	Z1	OR
1000	1" SAE 6000	180	79,5	80	165	153	27,8	57,2	48,5	63,5	35	39,5	105	12,5	M12	4131

## Hydraulic Symbol



## Curves



## Features

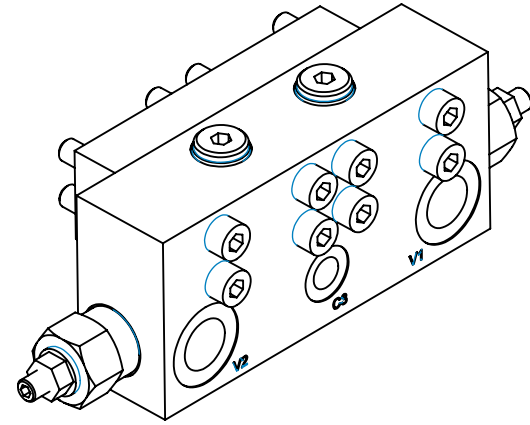
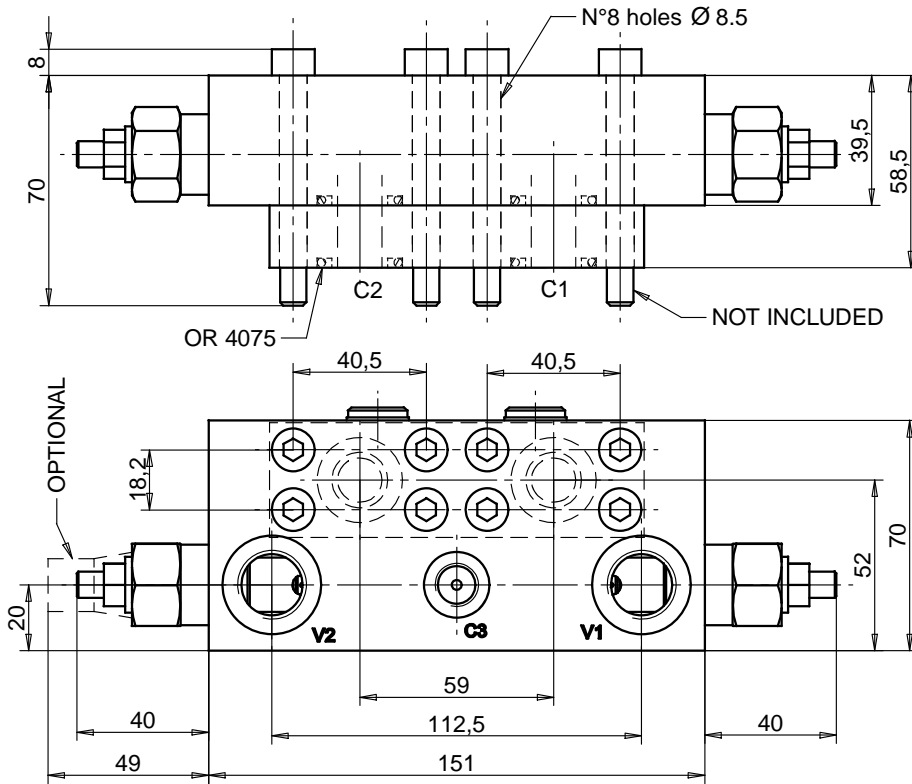
Max Flow	350 lpm
Max Pressure	500 bar
Ports	P-C3: G 1/4
	Standard
Pilot Ratio	4:1
Std. Pressure range	140 - 350 bar

**Materials:** Zinc plated steel body

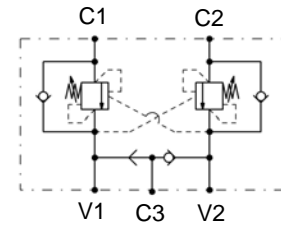
## Ordering Code

**CBCE300SLSF6S 05**

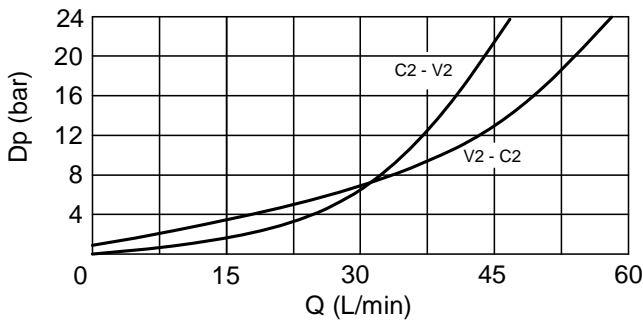
## Dimensions



## Hydraulic Symbol



## Curves



**Materials:** Zinc plated steel cartridge, hardened steel inner parts. Aluminium manifold.

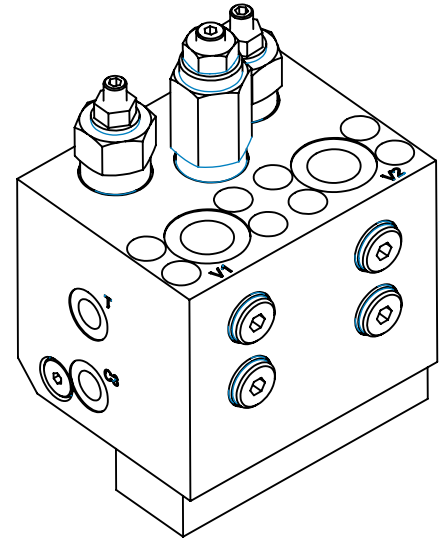
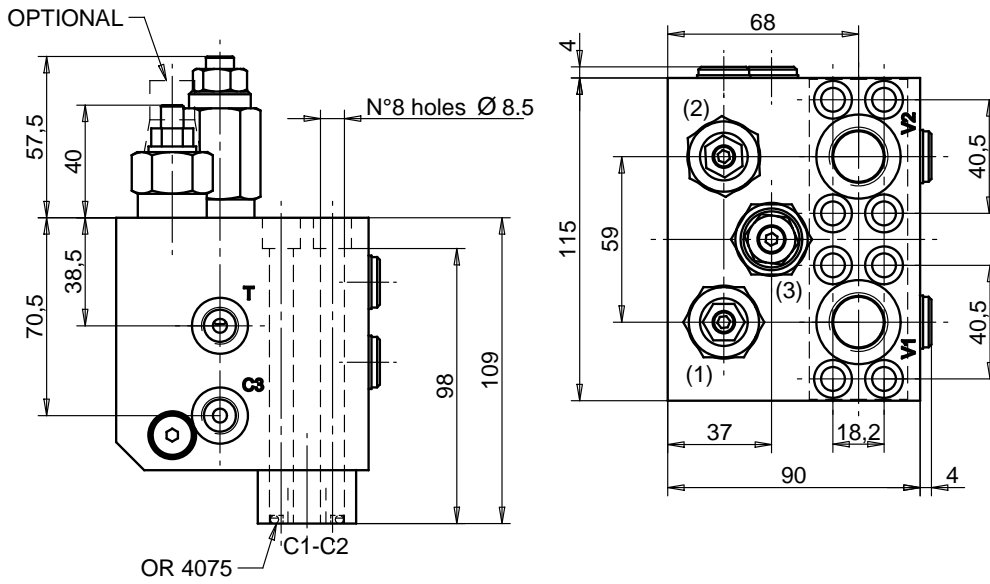
## Features

Max Flow	60 lpm
Max Pressure	250 bar
Pilot Ratio	4:1 Standard
Ports	V1-V2: G 1/2 C1-C2: 1/2 SAE 6000 C3: G 1/4
Std. Pressure range	100 - 350 bar

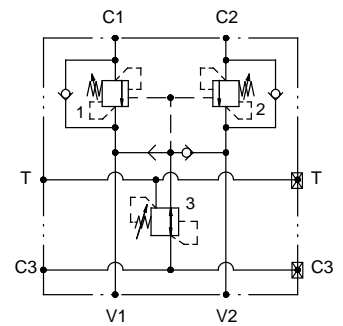
## Ordering Code

**CBDLSFRX 03**

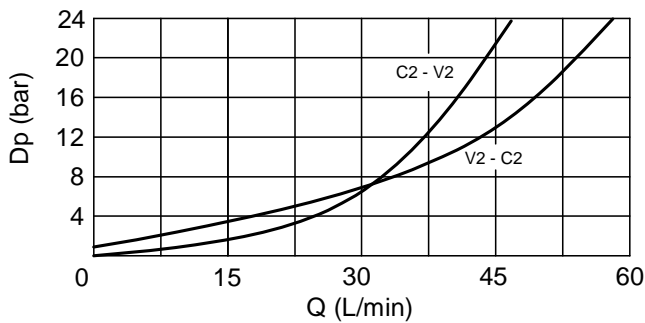
## Dimensions



## Hydraulic Symbol



## Curves



**Materials:** Aluminium body.

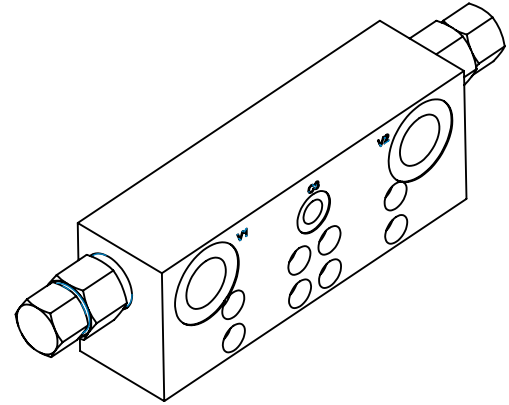
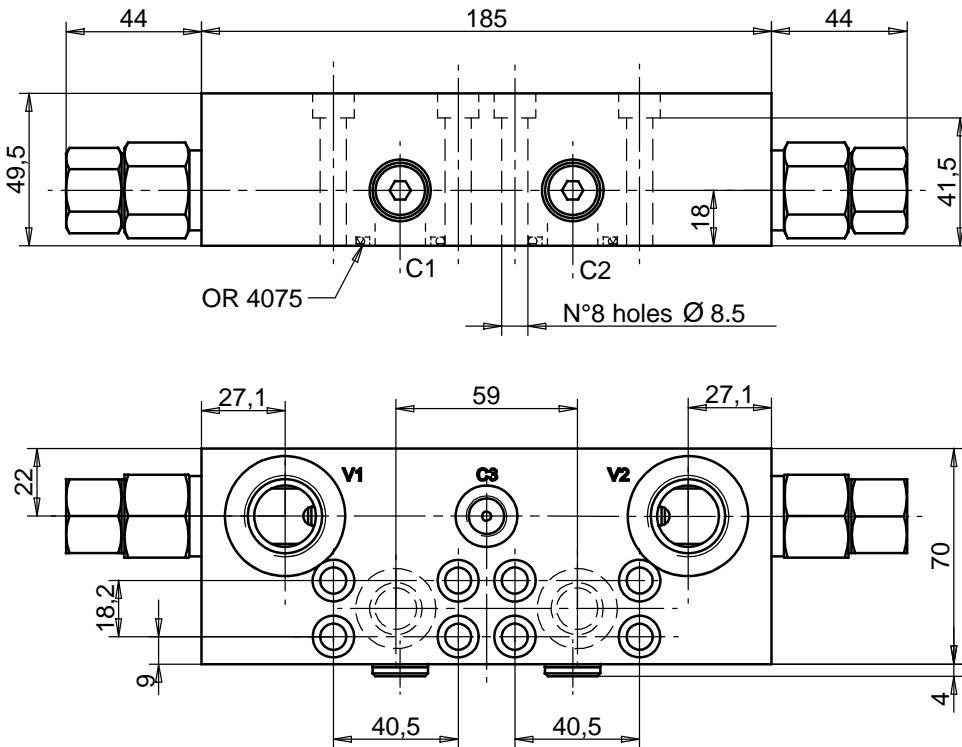
## Features

Max Flow	60 lpm
Max Pressure	350 bar
Pilot Ratio	4,2:1 Standard
Ports	V1-V2: G 1/2 C1-C2: 1/2 SAE 6000 C3-T: G 1/4
Std. Pressure range	100 - 350 bar

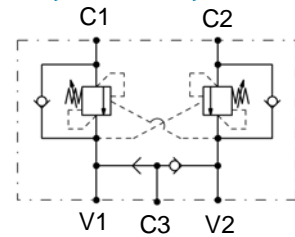
## Ordering Code

**CBDLSFRXPRD 03**

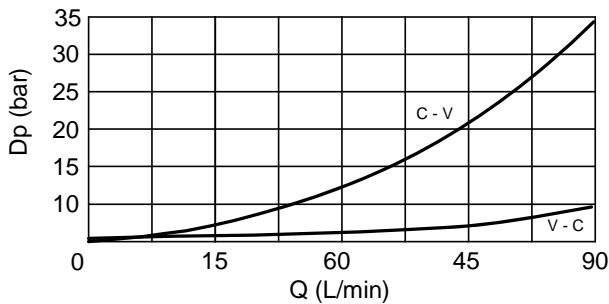
## Dimensions



## Hydraulic Symbol



## Curves



**Materials:** Aluminium body.

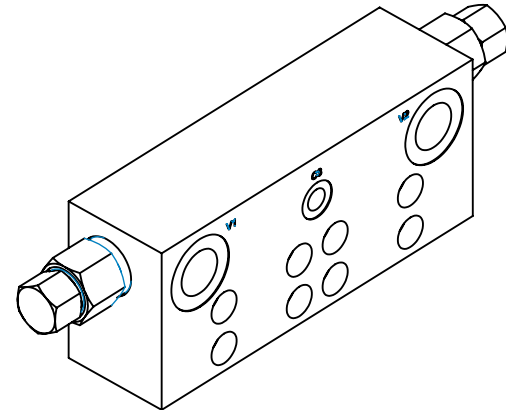
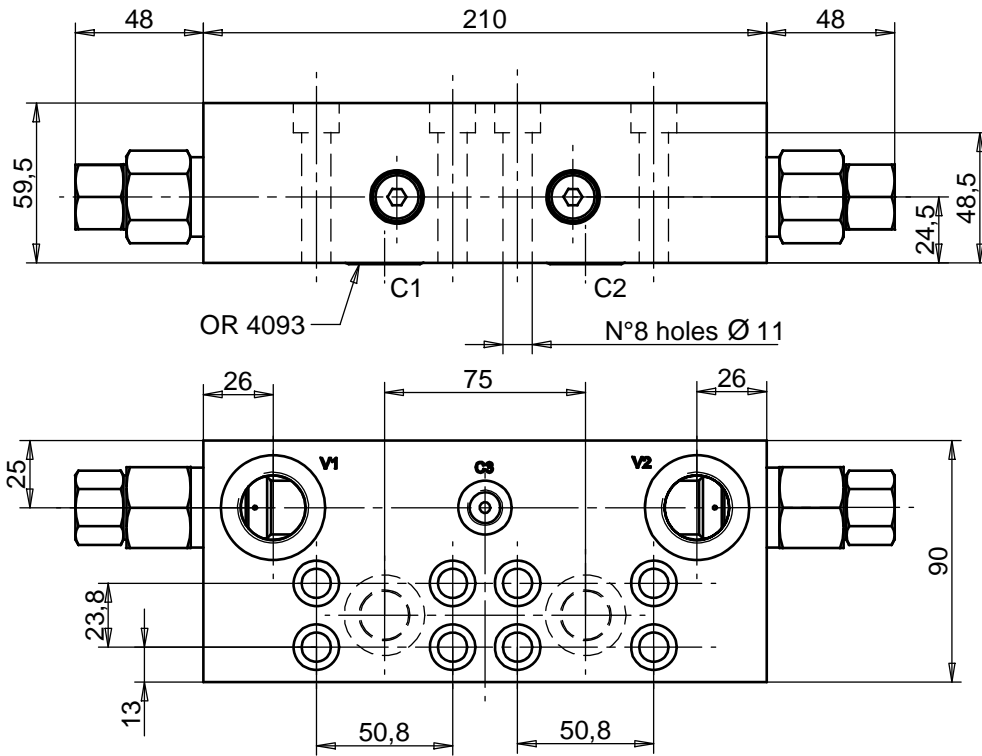
## Features

<b>Max Flow</b>	90 lpm
<b>Max Pressure</b>	350 bar
<b>Pilot Ratio</b>	4,2:1
<b>Ports</b>	V1-V2: G 3/4 C1-C2: 1/2 SAE 6000 C3: G 1/4
<b>Std. Pressure range</b>	100 - 350 bar

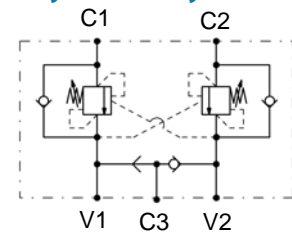
## Ordering Code

**CB90DLSFRX 04**

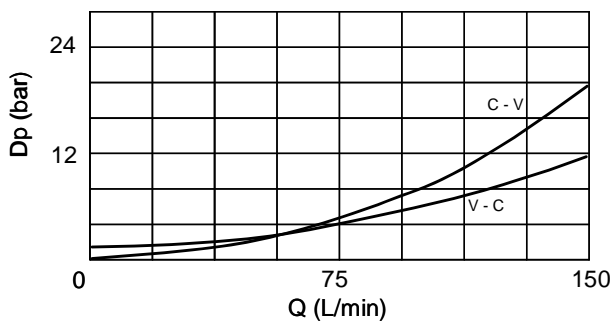
## Dimensions



## Hydraulic Symbol



## Curves



## Features

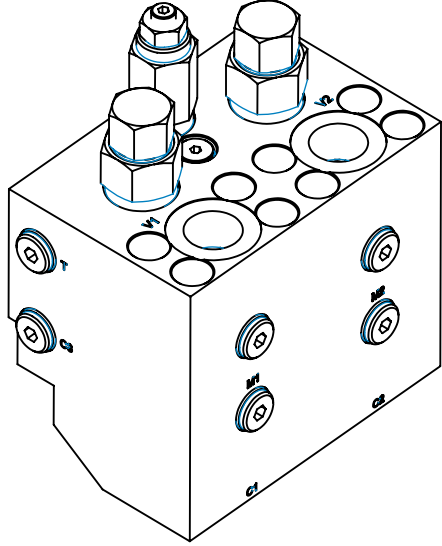
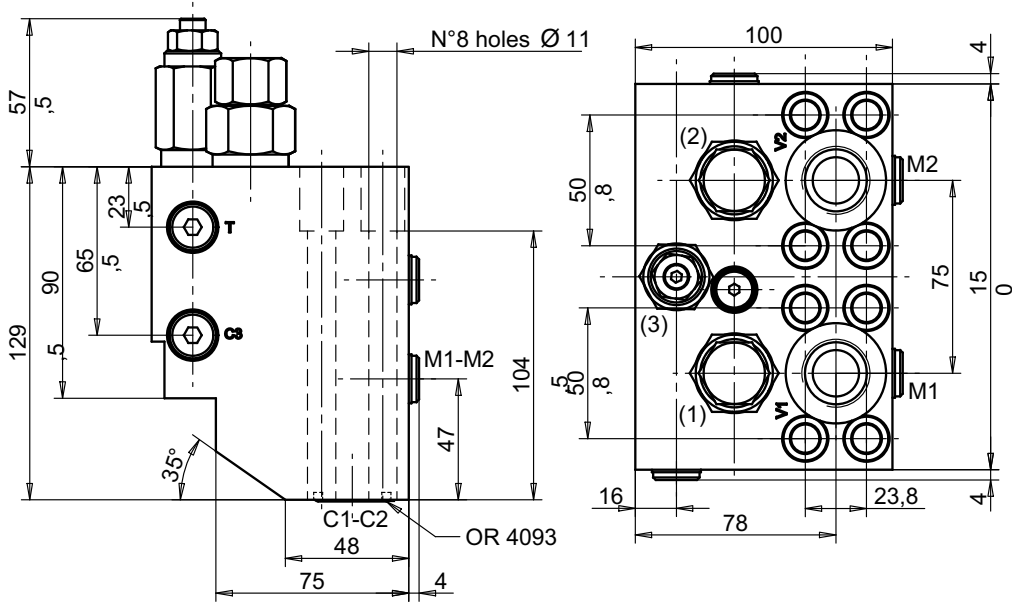
Max Flow	120 lpm
Max Pressure	350 bar
Pilot Ratio	4,2:1
Ports	V1-V2: G 3/4 C1-C2: 3/4 SAE 6000 C3: G 1/4

**Materials:** Aluminium body.

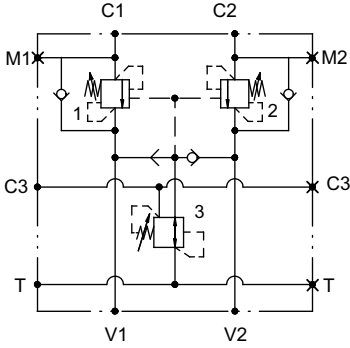
## Ordering Code

**CB150DL2FSFRX 04**

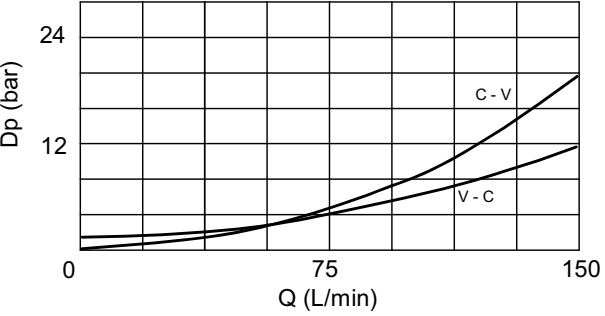
**Dimensions**



**Hydraulic Symbol**



**Curves**



**Materials:** Aluminium body.

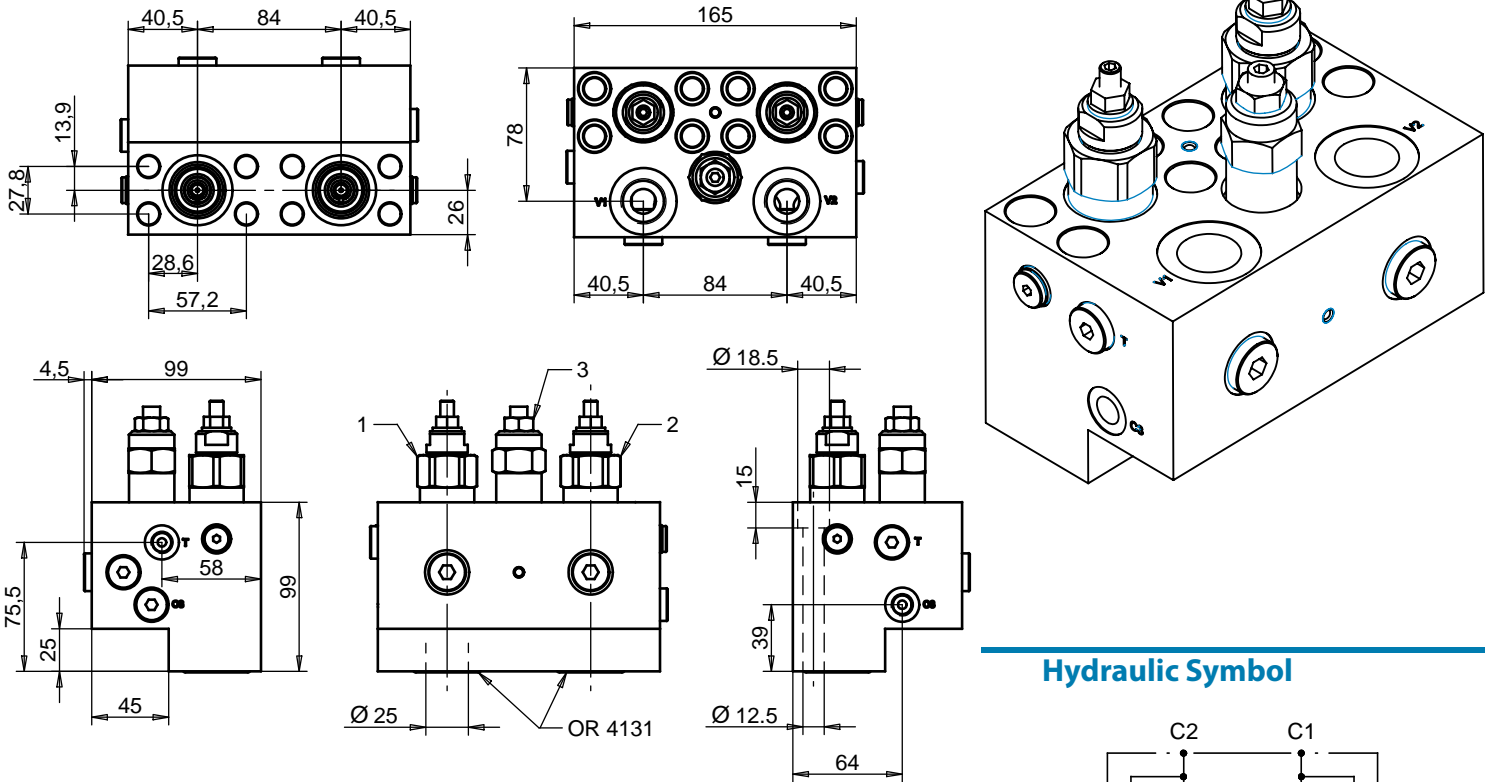
**Features**

<b>Max Flow</b>	170 lpm
<b>Max Pressure</b>	410 bar
<b>Pilot Ratio</b>	4:1 Standard
<b>Ports</b>	V1-V2: G 3/4 C1-C2: 3/4 SAE 6000 C3-T: G 1/4
<b>Std. Pressure range</b>	(1)-(2) 100 - 350 bar (3) 10-140 bar

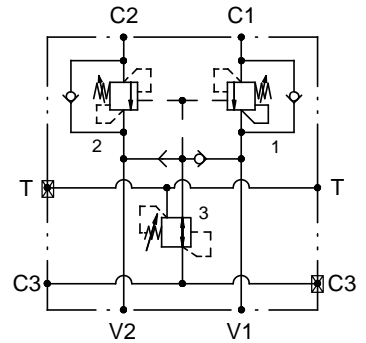
**Ordering Code**

**CB150DLSFRXPRD 04**

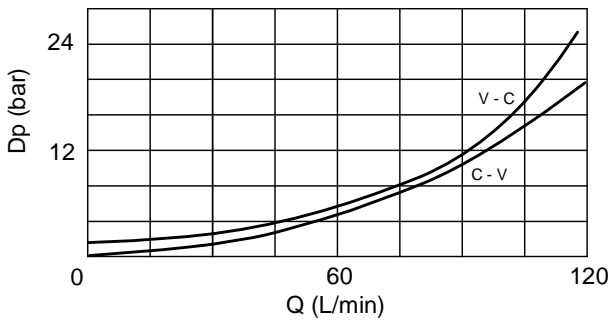
**Dimensions**



**Hydraulic Symbol**



**Curves**



**Materials:** Zinc plated steel manifold, hardened steel inner parts.

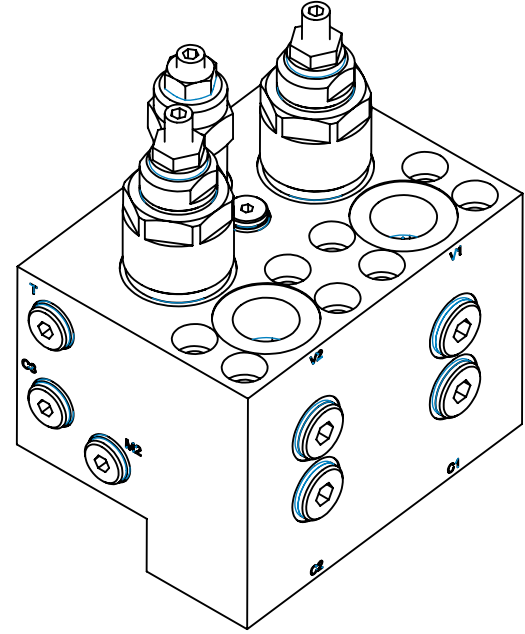
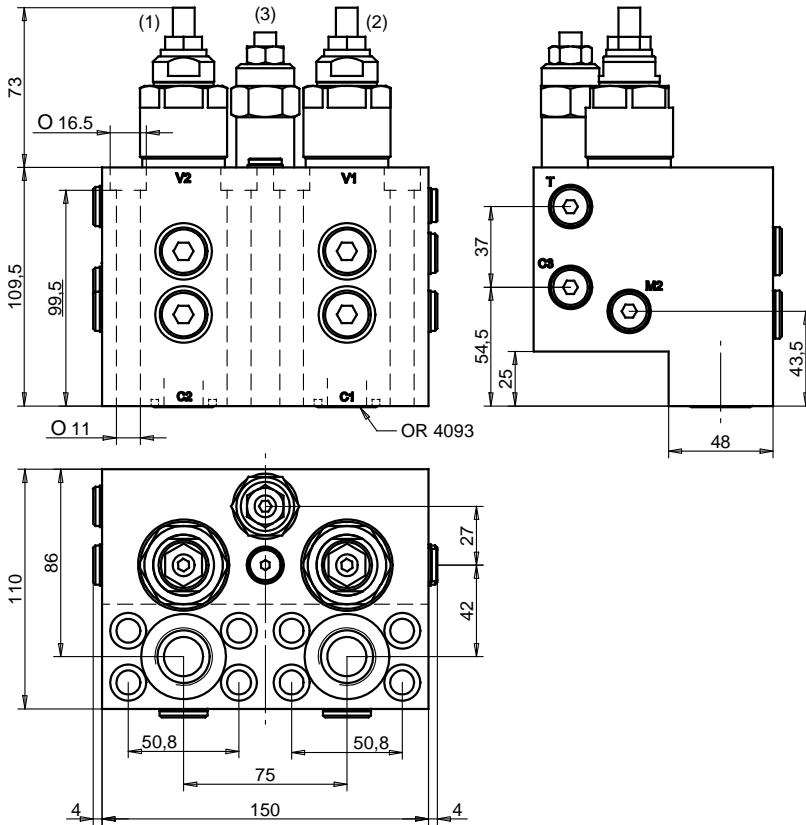
**Features**

<b>Max Flow</b>	120 lpm
<b>Max Pressure</b>	350 bar
<b>Pilot Ratio</b>	4:1
<b>Std. Pressure range</b>	(1)-(2):140-350 bar / (3):10-100 bar
<b>Ports</b>	V1-V2: G 3/4 C1-C2: 1" SAE 6000 C3-T: G 1/4

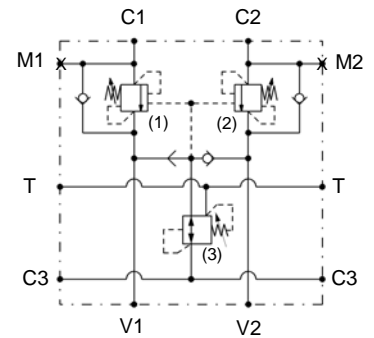
**Ordering Code**

**CBCE120DLSFPRDRX 04**

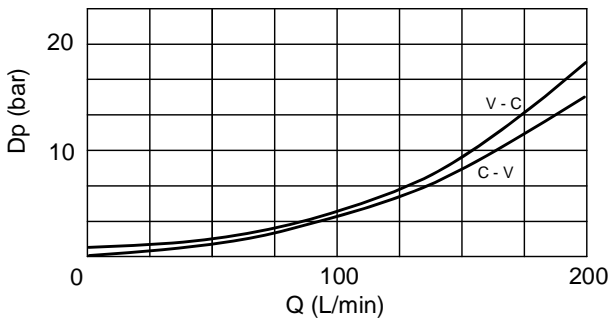
## Dimensions



## Hydraulic Symbol



## Curves



**Materials:** Zinc plated steel manifold, hardened steel inner parts.

## Ordering Code

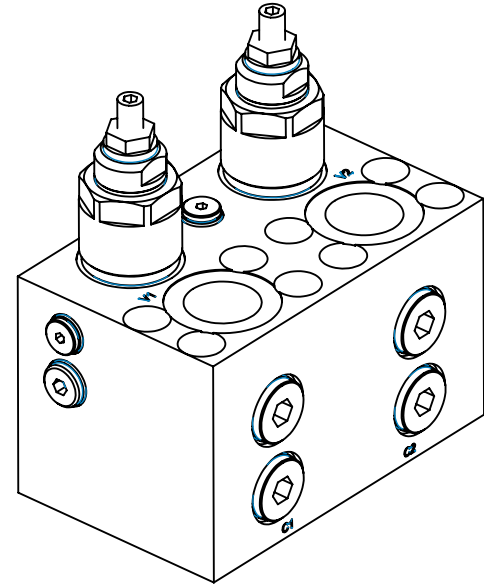
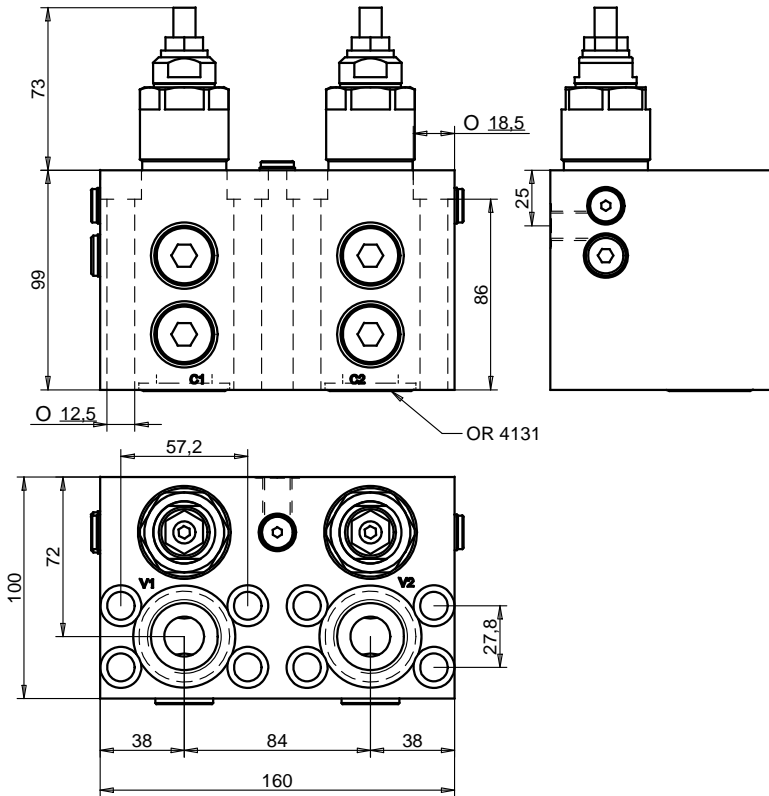
**CBCE200DLSFPRDRX 04**

## Features

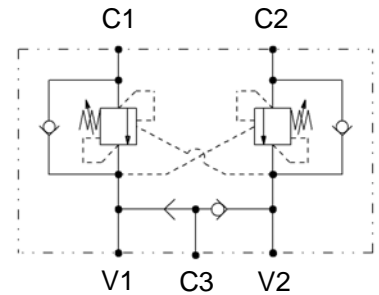
<b>Max Flow</b>	200 lpm
<b>Max Pressure</b>	350 bar
<b>Pilot Ratio</b>	4:1
<b>Std. Pressure range</b>	(1)-(2):140-350 bar / (3):10-50 bar
<b>Ports</b>	V1-V2: G 3/4 C1-C2: 3/4" SAE 6000 C3-T-M1-M2: G 1/4



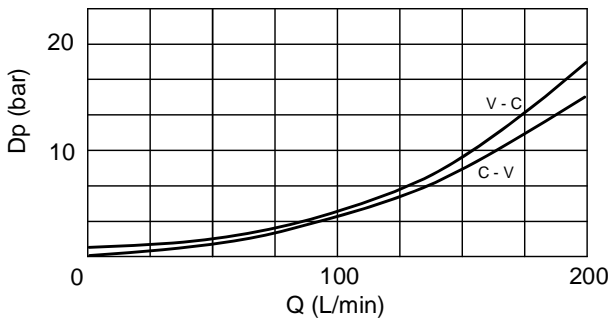
**Dimensions**



**Hydraulic Symbol**



**Curves**



**Materials:** Zinc plated steel manifold, hardened steel inner parts.

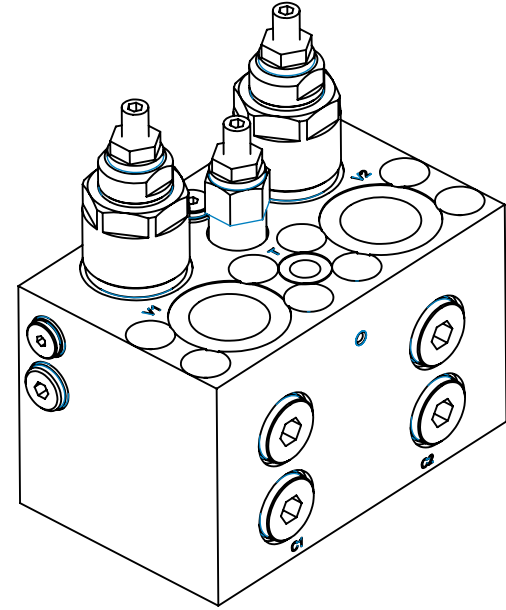
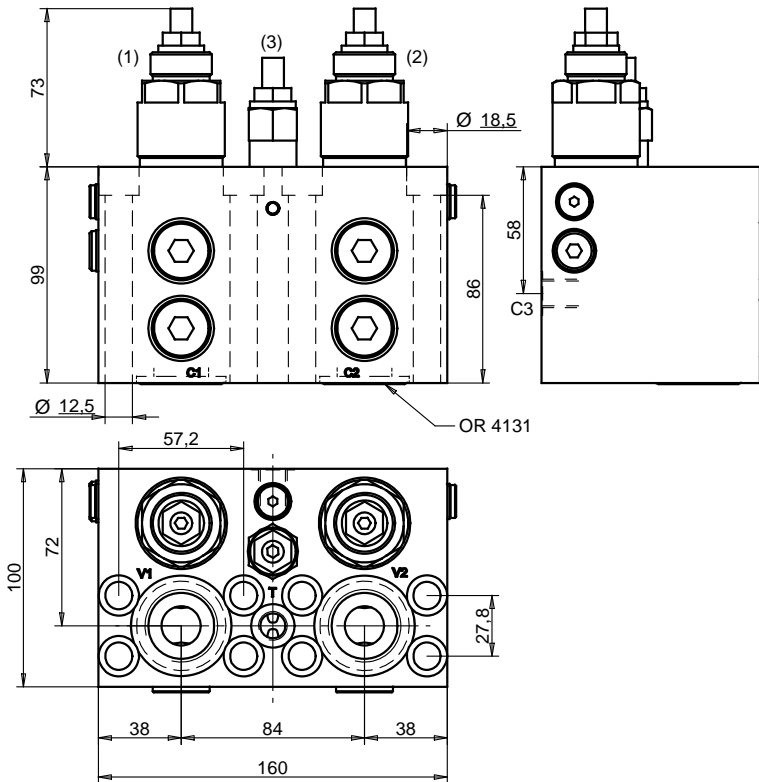
**Features**

<b>Max Flow</b>	200 lpm
<b>Max Pressure</b>	350 bar
<b>Pilot Ratio</b>	4:1
<b>Std. Pressure range</b>	140-350 bar
<b>Ports</b>	V1-V2: G 1 C1-C2: 1" SAE 6000 C3: G 1/4

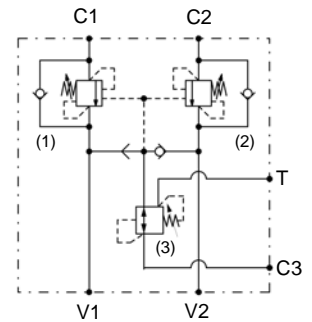
**Ordering Code**

**CBCE200DLSFRX 05**

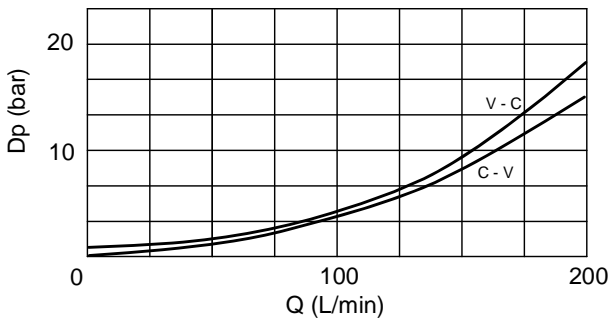
**Dimensions**



**Hydraulic Symbol**



**Curves**



**Features**

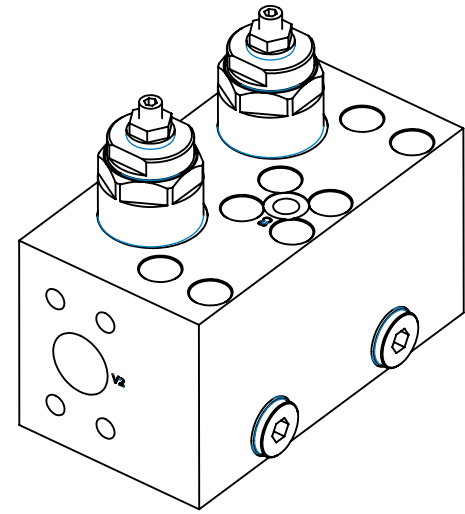
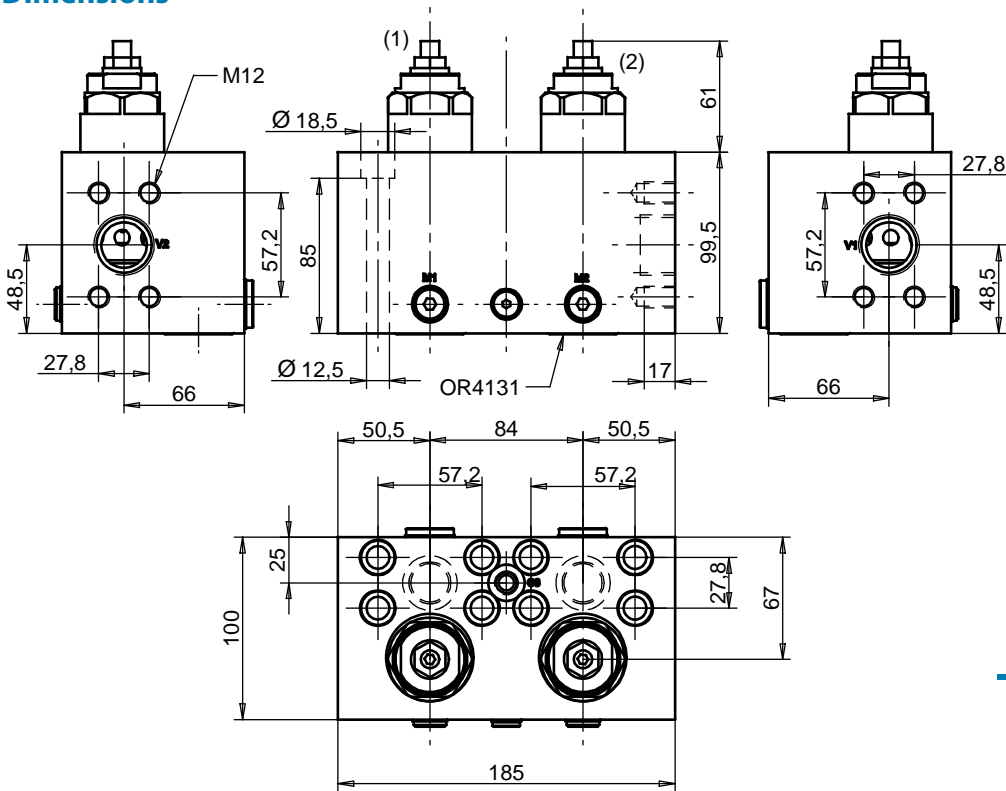
<b>Max Flow</b>	200 lpm
<b>Max Pressure</b>	350 bar
<b>Pilot Ratio</b>	4:1
<b>Std. Pressure range</b>	1-2:140-350 bar / 3:10-100 bar
<b>Ports</b>	V1-V2: G 1 C1-C2: 1" SAE 6000 C3-T: G 1/4

**Materials:** Zinc plated steel manifold, hardened steel inner parts.

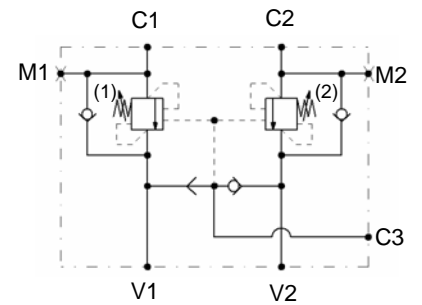
**Ordering Code**

**CBCE200DLSFPRDRX 05**

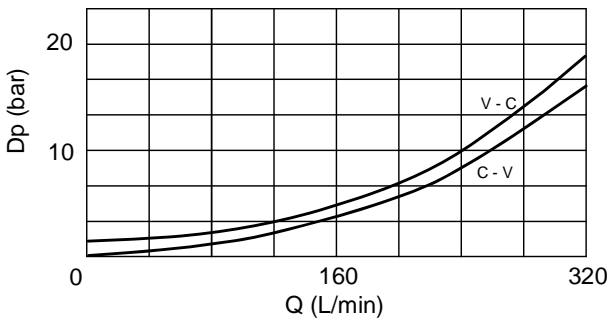
## Dimensions



## Hydraulic Symbol



## Curves



**Materials:** Zinc plated steel manifold, hardened steel inner parts.

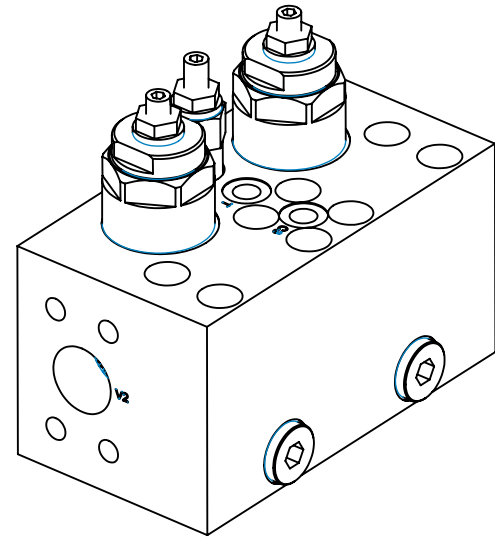
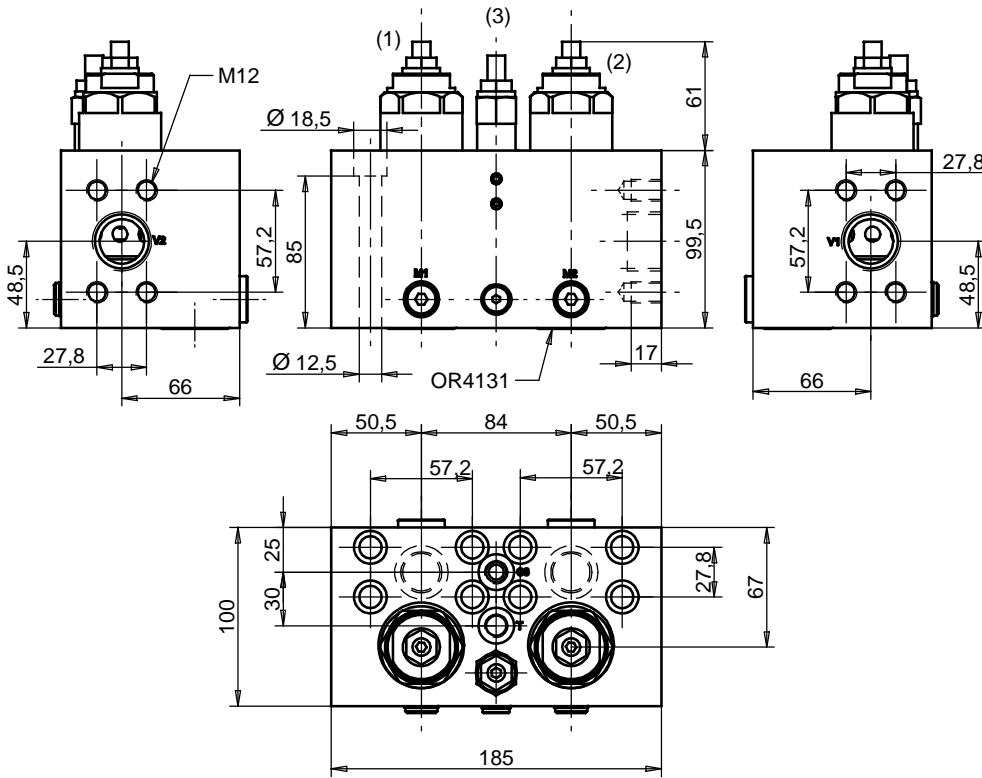
## Ordering Code

**CBCE300DLSFRX 05**

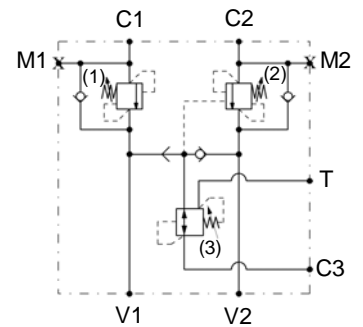
## Features

Max Flow	320 lpm
Max Pressure	350 bar
Pilot Ratio	4:1
Std. Pressure range	140-350 bar
Ports	V1-V2: 1" SAE 6000 C1-C2: 1" SAE 6000 C3-M1-M2: G 1/4

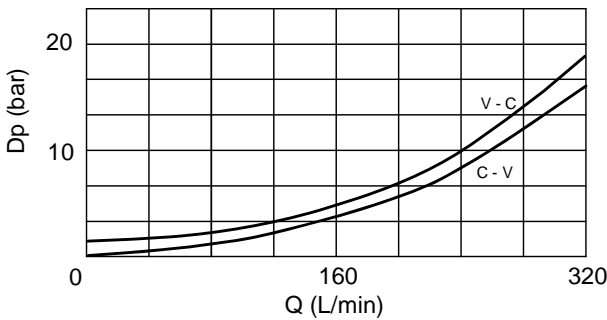
**Dimensions**



**Hydraulic Symbol**



**Curves**



**Materials:** Zinc plated steel manifold, hardened steel inner parts.

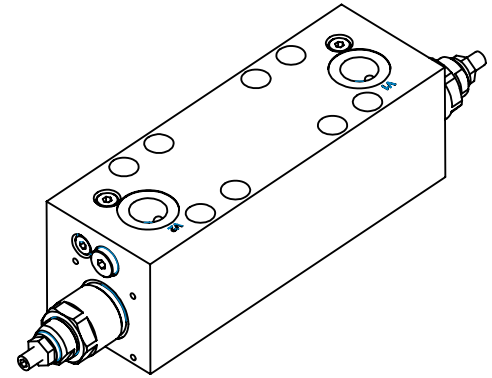
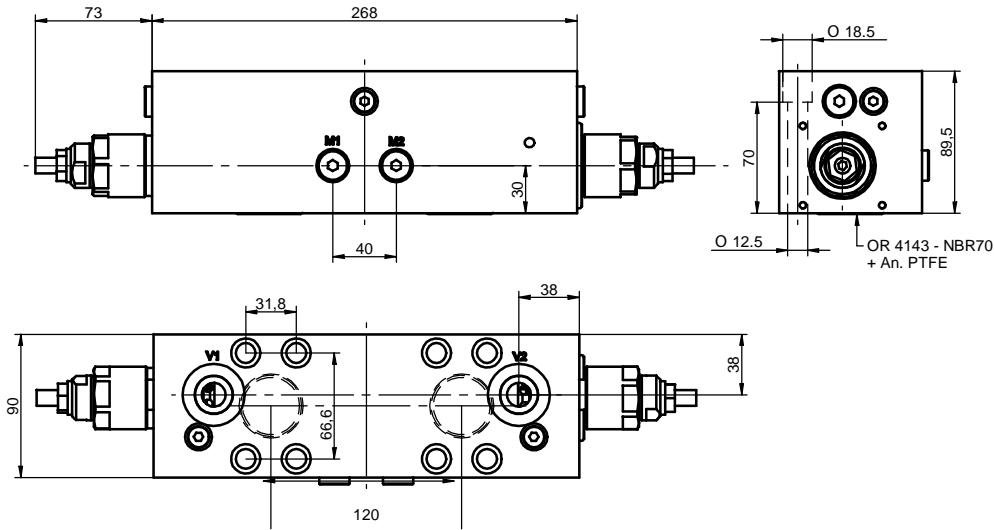
**Features**

<b>Max Flow</b>	320 lpm
<b>Max Pressure</b>	350 bar
<b>Pilot Ratio</b>	4:1 - Standard
<b>Std. Pressure range</b>	(1)-(2):140-350 bar / (3):10-100 bar
<b>Ports</b>	V1-V2: 1" SAE 6000 C1-C2: 1" SAE 6000 C3-T-M1-M2: G 1/4

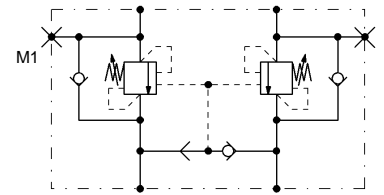
**Ordering Code**

**CBCE300DLSFPRDRX 05**

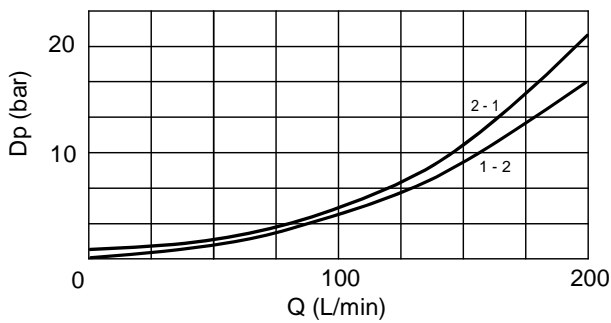
## Dimensions



## Hydraulic Symbol



## Curves



## Features

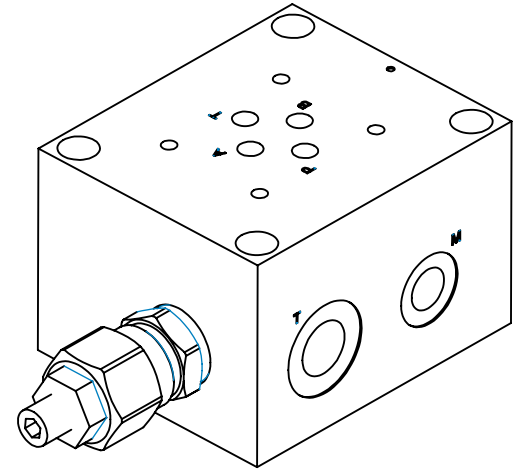
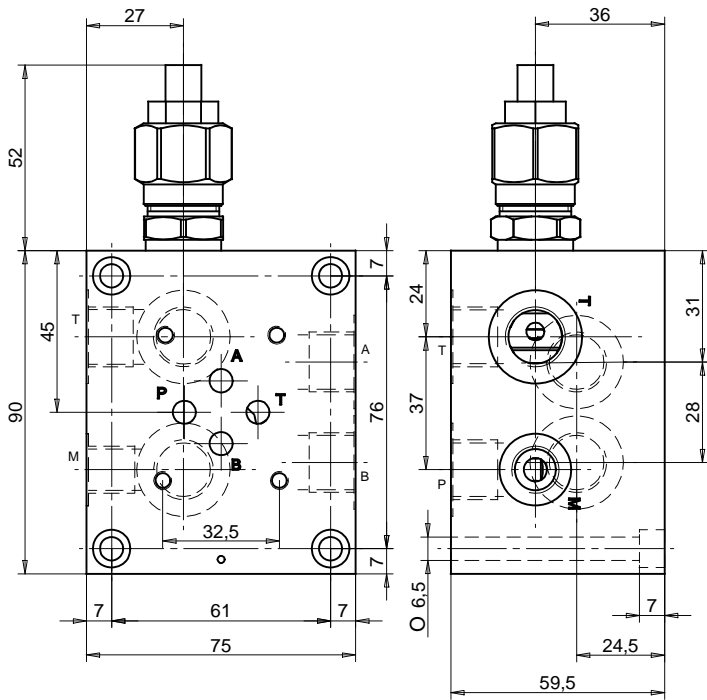
Max Flow	170 lpm
Max Pressure	350 bar
Pilot Ratio	4,1:1
Ports	V1-V2: G 3/4 C1-C2: 1"1/4 SAE 6000 M1- M2: G 1/4
Std. Pressure range	100 - 350 bar

**Materials:** Zinc plated steel manifold and cartridge, hardened steel inner parts

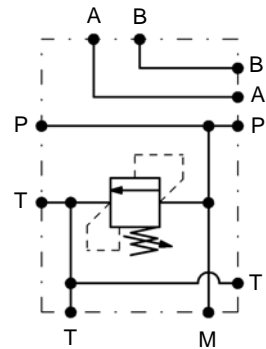
## Ordering Code

**CBCE200DLDF06SV04**

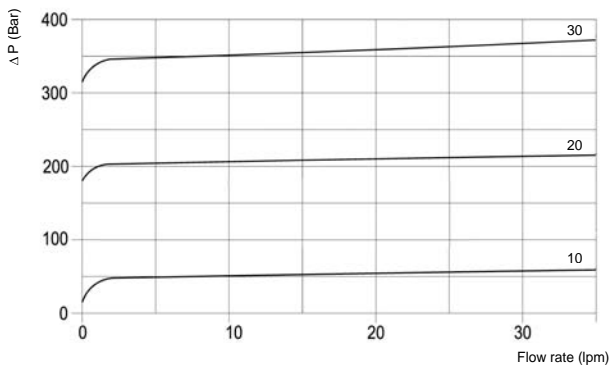
Dimensions



Hydraulic Symbol



Curves



Features

Max Flow	50 lpm
Max Pressure	210 bar

**Materials:** Zinc plated steel cartridge, hardened steel inner parts.  
Aluminium manifold.

Ordering Code

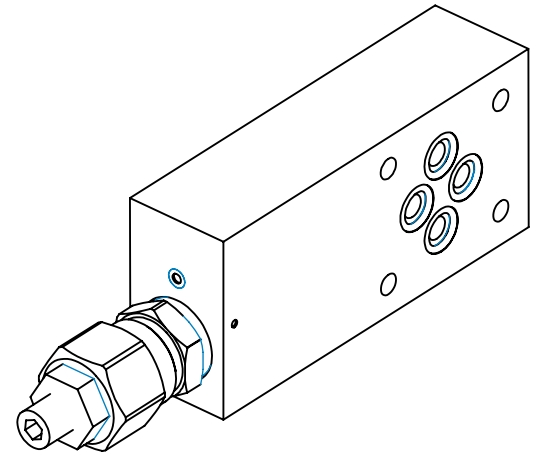
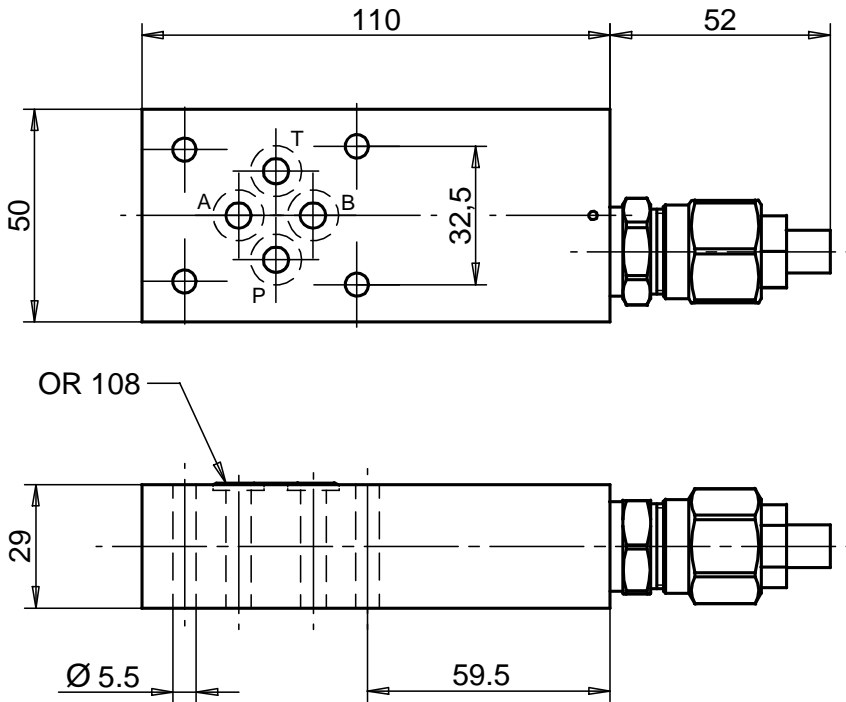
PRNG6 -- -

	Spring (bar)
10	5-50
20	40-210
30	100-350

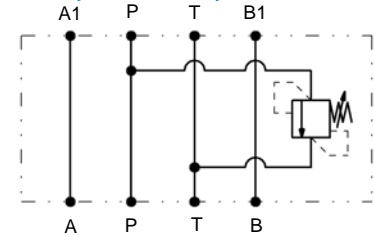
Adjustments

A		Socket Screw
B		Handknob
C		Tamperproof Cap

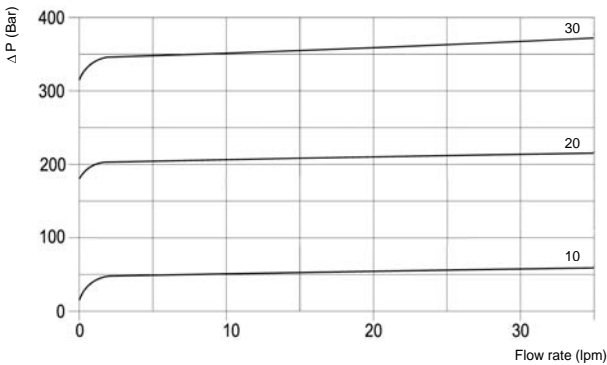
### Dimensions



### Hydraulic Symbol



### Curves



### Features

Max Flow	40 lpm
Max Pressure	250 bar

**Materials:** Zinc plated steel cartridge, hardened steel inner parts.  
Aluminium manifold.

### Ordering Code

**PRPNG6**

--

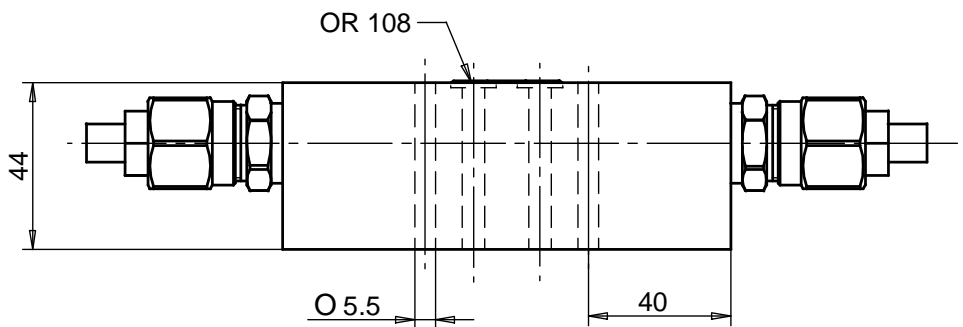
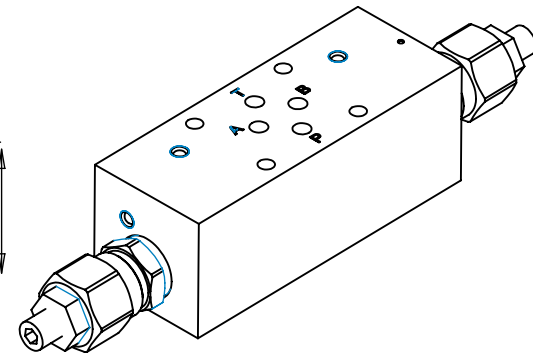
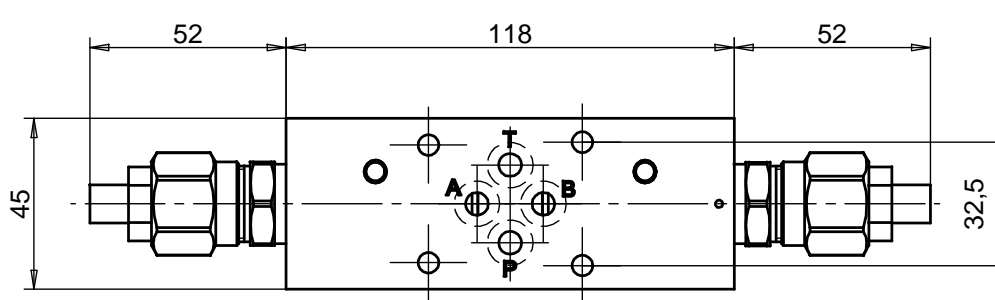
-

	Spring (bar)
<b>10</b>	5-50
<b>20</b>	40-210
<b>30</b>	100-350

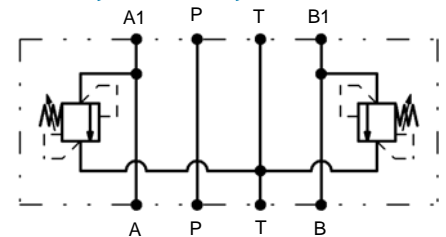
### Adjustments

<b>A</b>		Socket Screw
<b>B</b>		Handknob
<b>C</b>		Tamperproof Cap

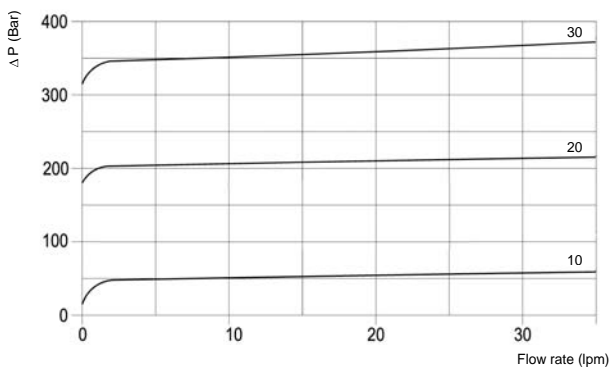
## Dimensions



## Hydraulic Symbol



## Curves



## Features

Max Flow	40 lpm
Max Pressure	250 bar

**Materials:** Zinc plated steel cartridge, hardened steel inner parts.  
Aluminium manifold.

## Ordering Code

**PRABNG6** -- -

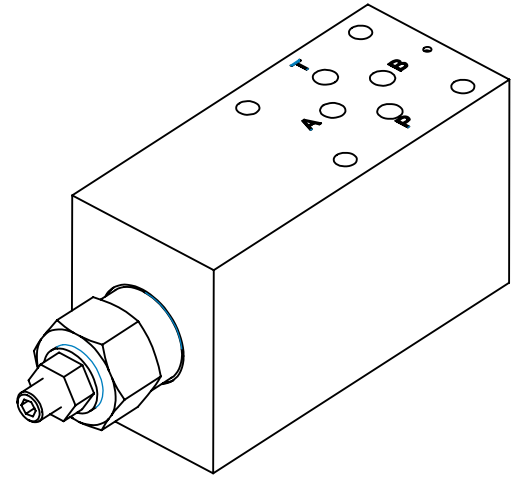
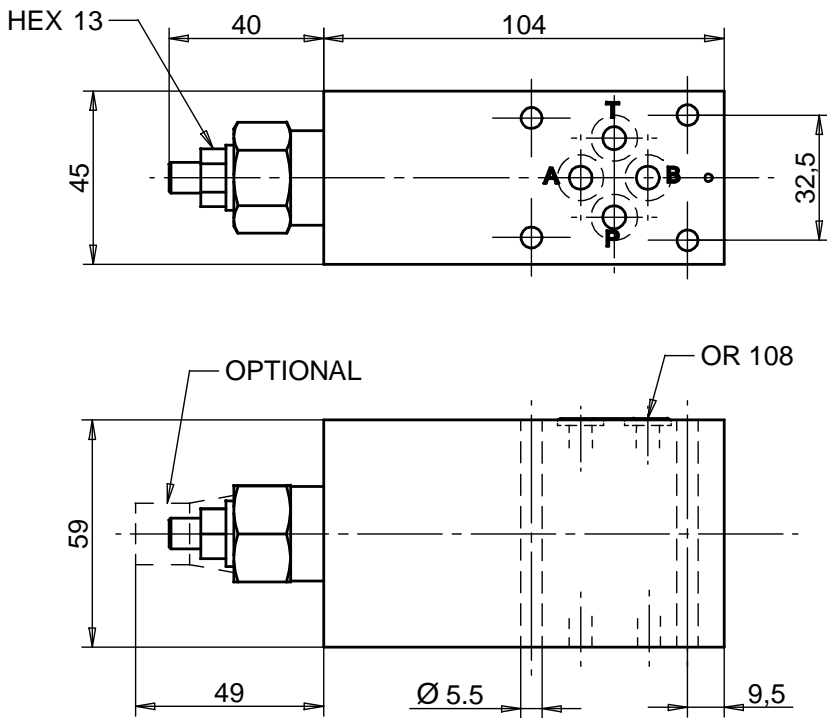
	Spring (bar)
<b>10</b>	5-50
<b>20</b>	40-210
<b>30</b>	100-350

## Adjustments

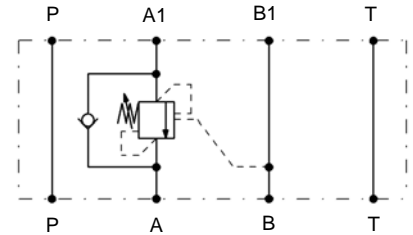
<b>A</b>		Socket Screw
<b>B</b>		Handknob
<b>C</b>		Tamperproof Cap



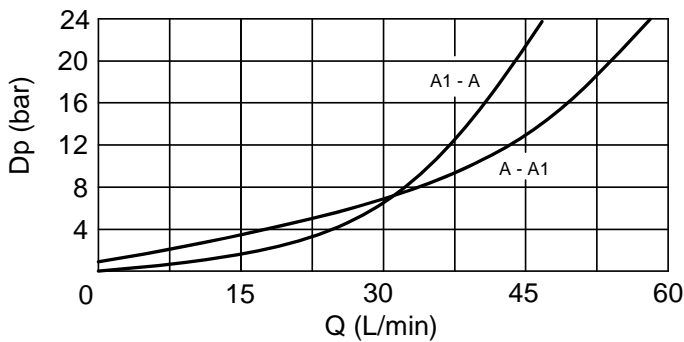
## Dimensions



## Hydraulic Symbol



## Curves



## Features

Max Flow	50 lpm
Max Pressure	350 bar
Pilot Ratio	4,2:1
Std. Pressure range	100 - 350 bar

**Materials:** Zinc plated steel cartridge, hardened steel inner parts. Aluminium manifold.

## Ordering Code

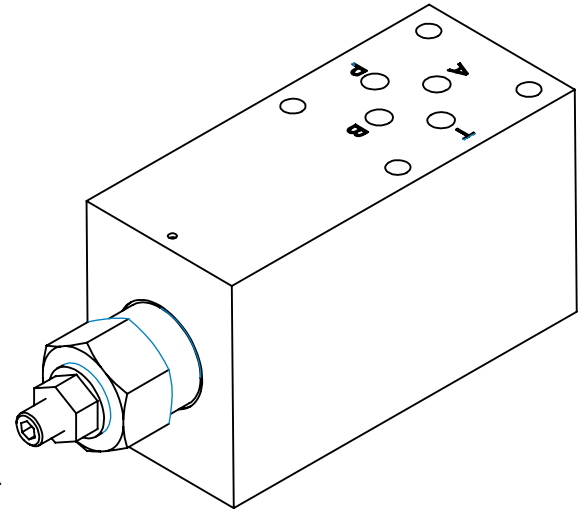
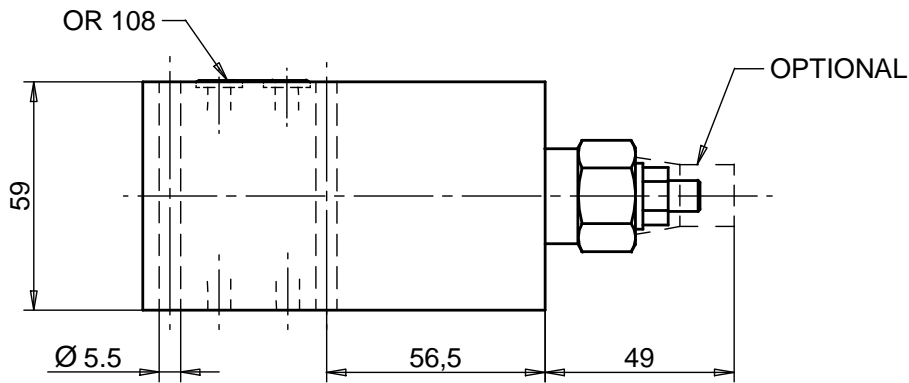
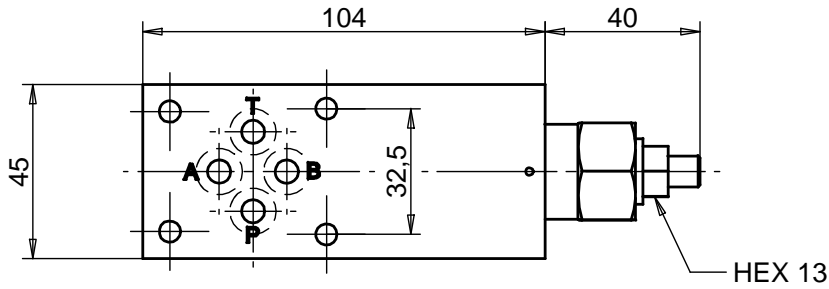
**CBSLANG6**

--

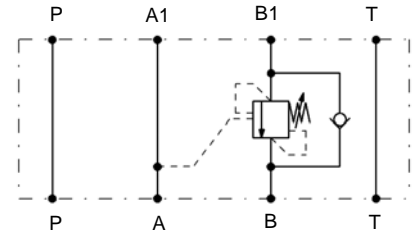
### Spring (bar)

<b>20</b>	60-210
<b>30</b>	100-350

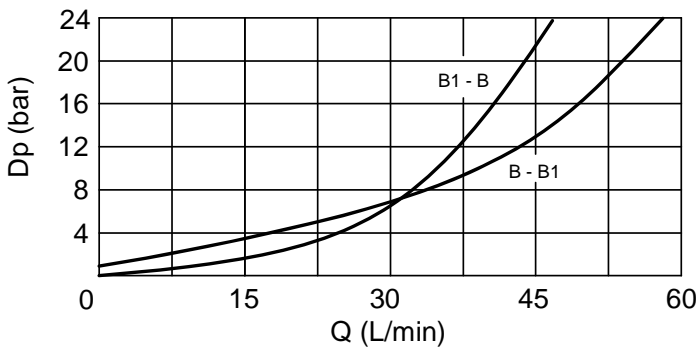
## Dimensions



## Hydraulic Symbol



## Curves



## Features

Max Flow	50 lpm
Max Pressure	350 bar
Pilot Ratio	4,2:1
Std. Pressure range	100 - 350 bar

**Materials:** Zinc plated steel cartridge, hardened steel inner parts. Aluminium manifold.

## Ordering Code

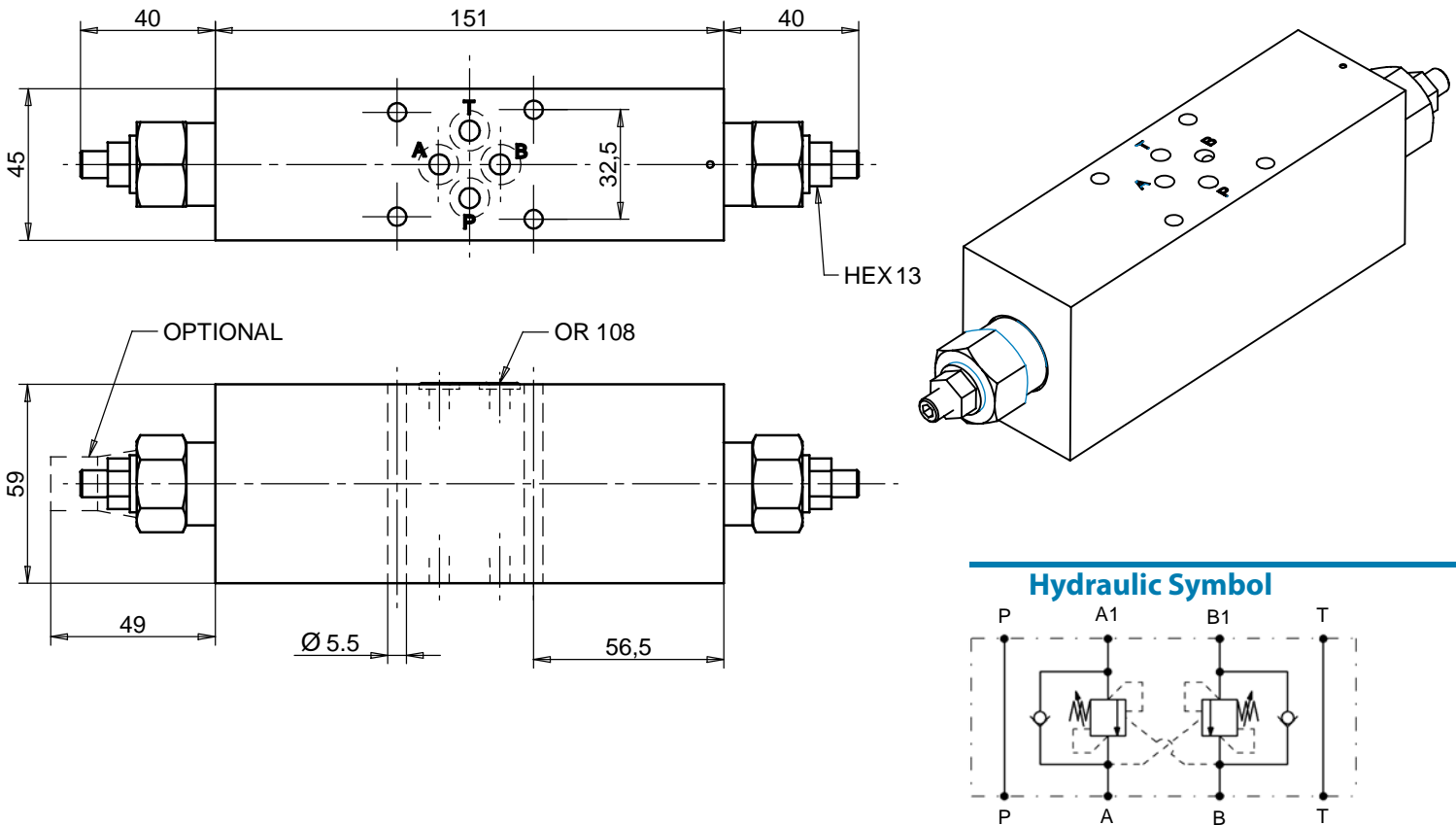
**CBSLBNG6**

--

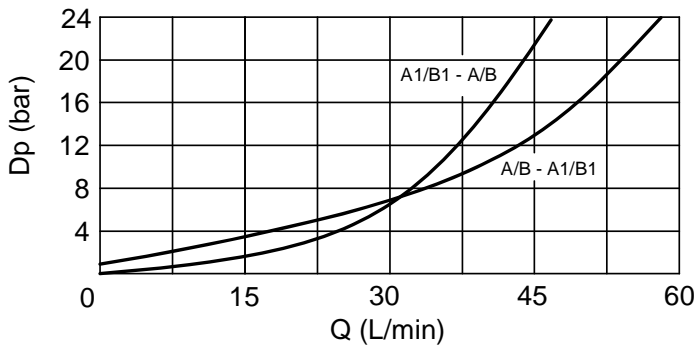
### Spring (bar)

<b>20</b>	60-210
<b>30</b>	100-350

## Dimensions



## Curves



## Features

Max Flow	50 lpm
Max Pressure	350 bar
Pilot Ratio	4,2:1

**Materials:** Zinc plated steel cartridge, hardened steel inner parts.  
Aluminium manifold.

## Ordering Code

**CBDLNG6**

--

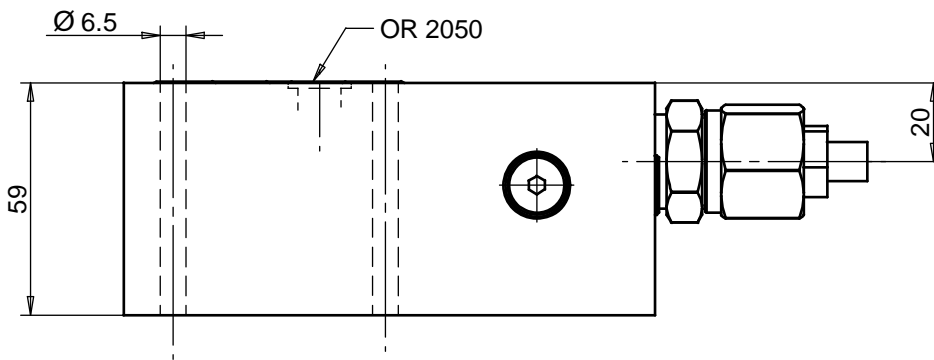
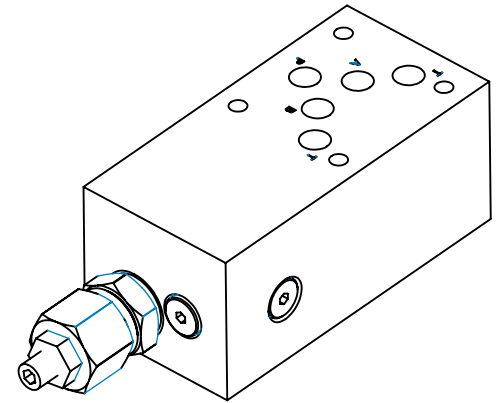
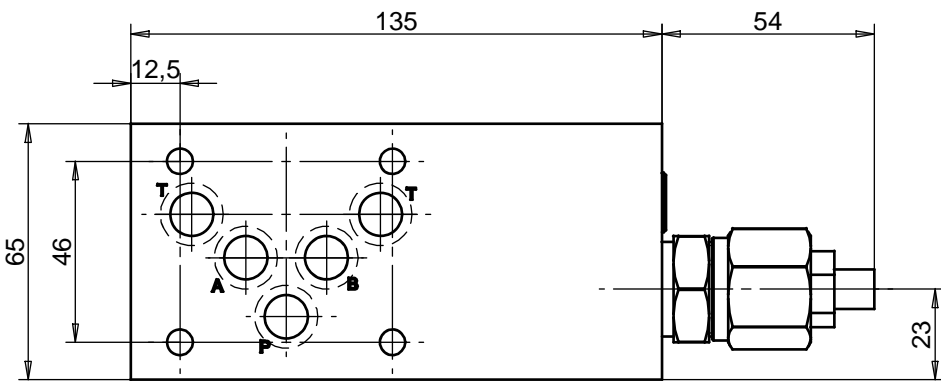
-

	Pressure Range (bar)	Increase (bar/turn)	Spring
			Standard Setting (bar) Q=5 lpm
<b>20</b>	60 - 210	61	180
<b>30</b>	100 - 350	100	250

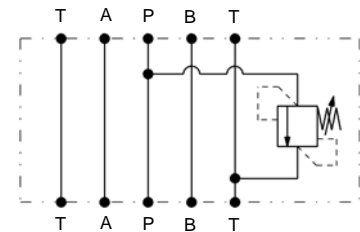
### Pilot Ratio

	4,2 : 1
<b>8</b>	8 : 1

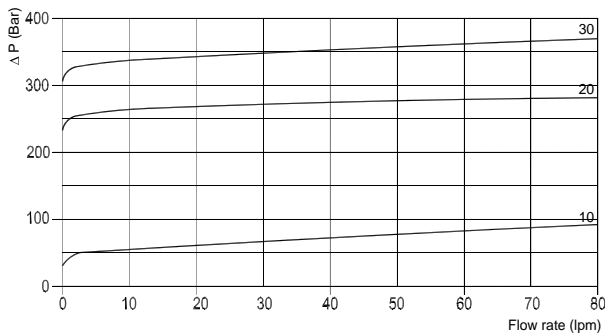
Dimensions



Hydraulic Symbol



Curves



Features

Max Flow	80 lpm
Max Pressure	250 bar

**Materials:** Zinc plated steel cartridge, hardened steel inner parts.  
Aluminium manifold.

Ordering Code

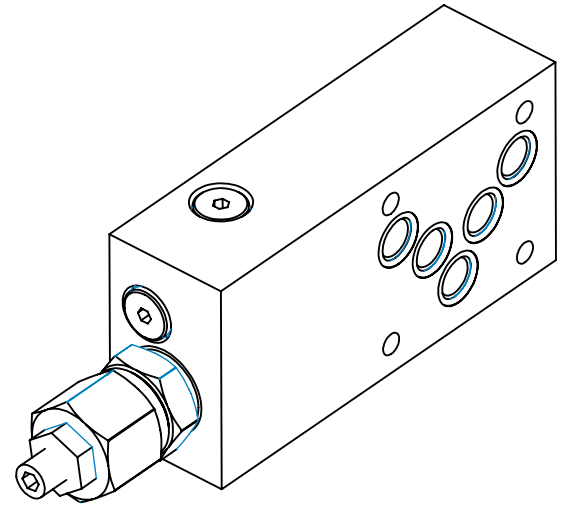
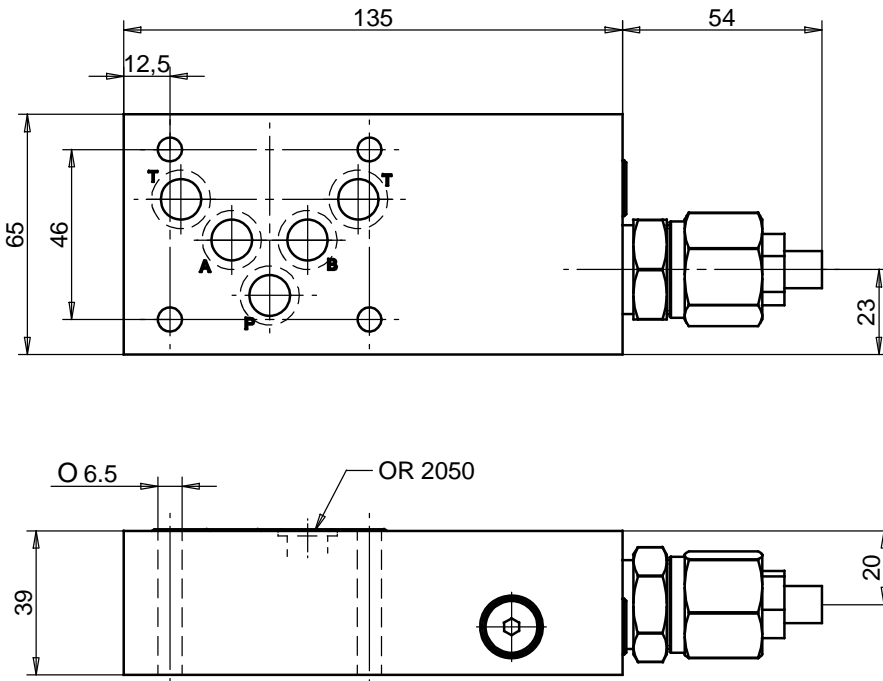
PRPNG10 -- -

	Spring (bar)
10	5-50
20	30-260
30	130-350

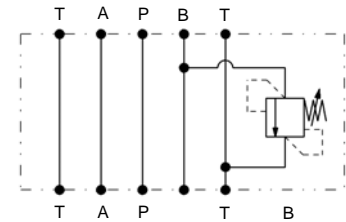
Adjustments

A		Socket Screw
B		Handknob
C		Tamperproof Cap

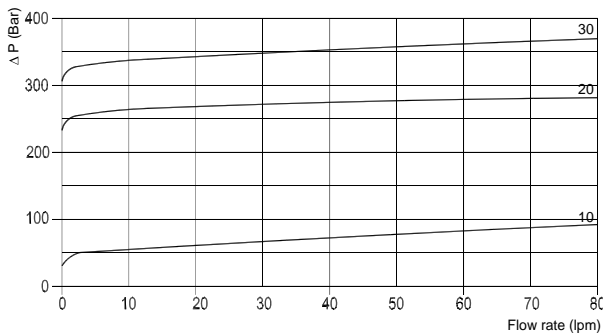
Dimensions



Hydraulic Symbol



Curves



Features

Max Flow	80 lpm
Max Pressure	250 bar

**Materials:** Zinc plated steel cartridge, hardened steel inner parts.  
Aluminium manifold.

Ordering Code

PRPBNG10

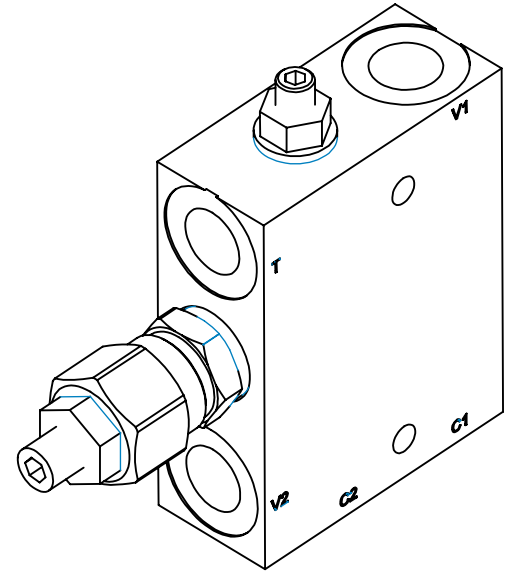
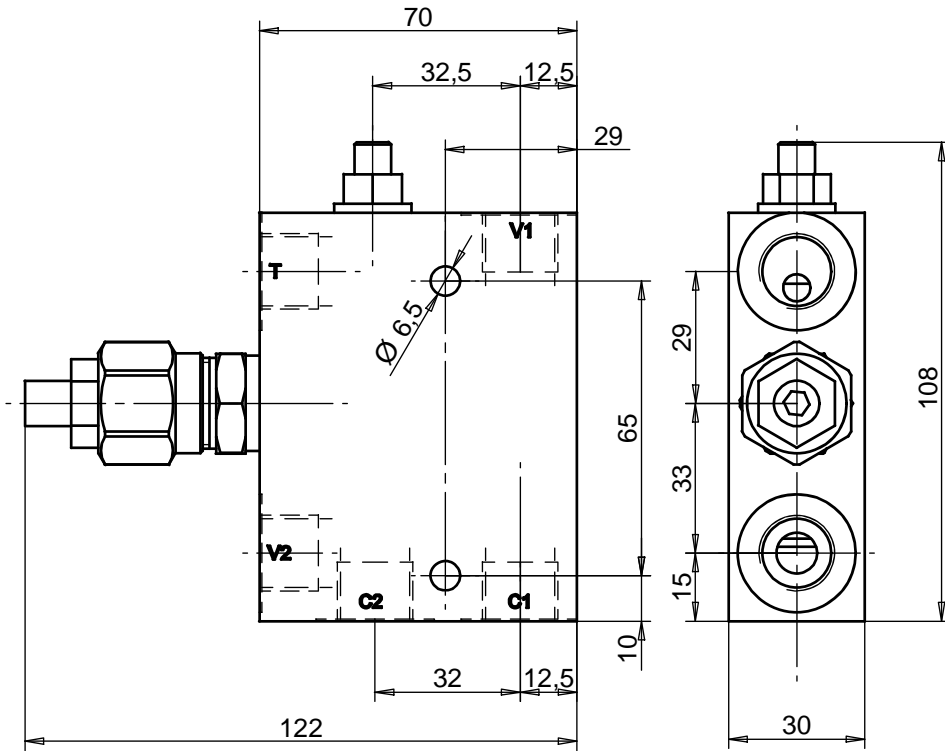
Spring (bar)

10	5-50
20	30-260
30	130-350

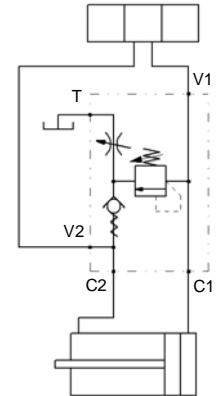
Adjustments

A		Socket Screw
B		Handknob
C		Tamperproof Cap

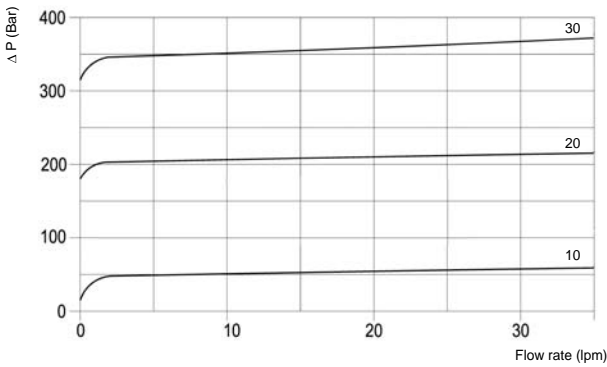
**Dimensions**



**Hydraulic Symbol**



**Curves**



**Features**

<b>Max Flow</b>	30 lpm
<b>Max Pressure</b>	350 bar
<b>Ports</b>	V1-V2: G 3/8 C1-C2: G 3/8 T: G 3/8

**Materials:** Zinc plated steel cartridge, hardened steel inner parts. Aluminium manifold.

**Ordering Code**

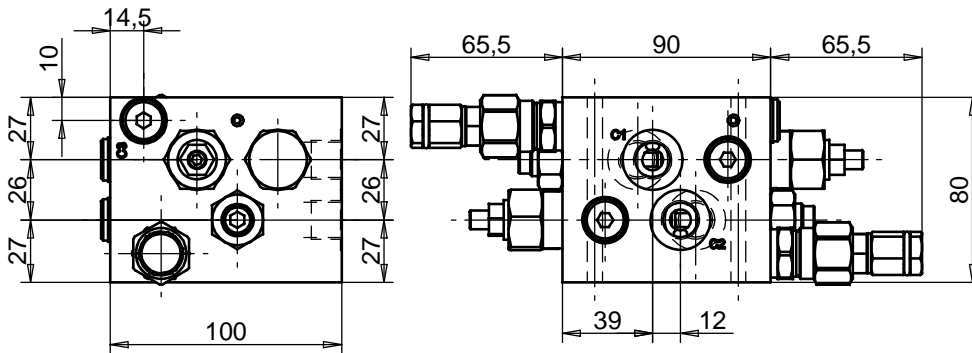
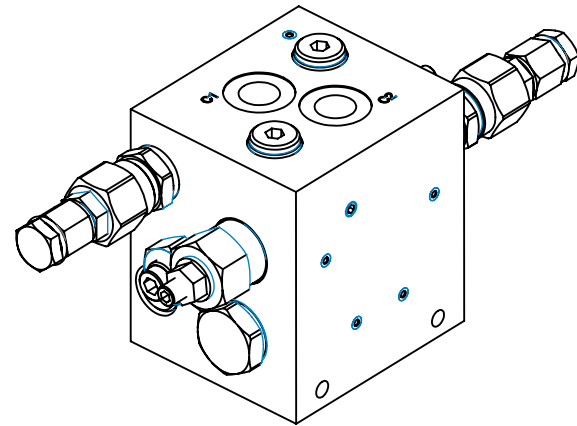
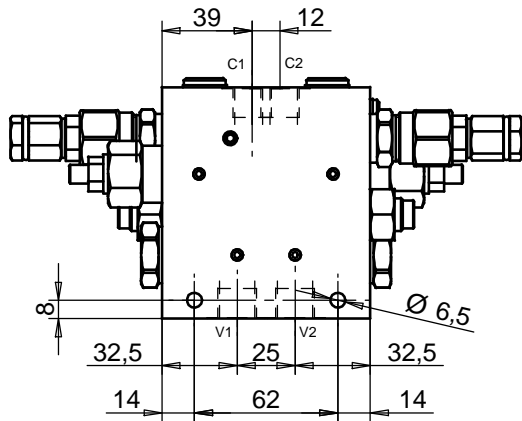
**BIPRST 02** -- -

	Spring (bar)
<b>10</b>	5-50
<b>20</b>	40-210
<b>30</b>	100-350

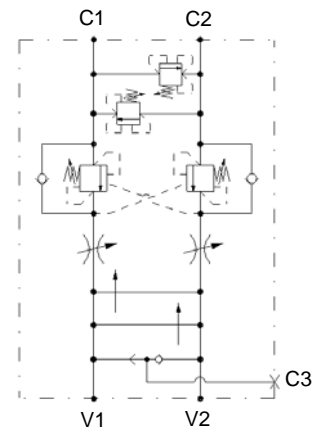
**Adjustments**

<b>A</b>		Socket Screw
<b>B</b>		Handknob
<b>C</b>		Tamperproof Cap

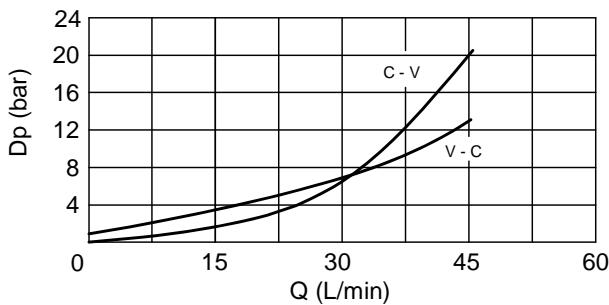
## Dimensions



## Hydraulic Symbol



## Curves



**Materials:** Zinc plated steel cartridge, hardened steel inner parts.  
Aluminium manifold.

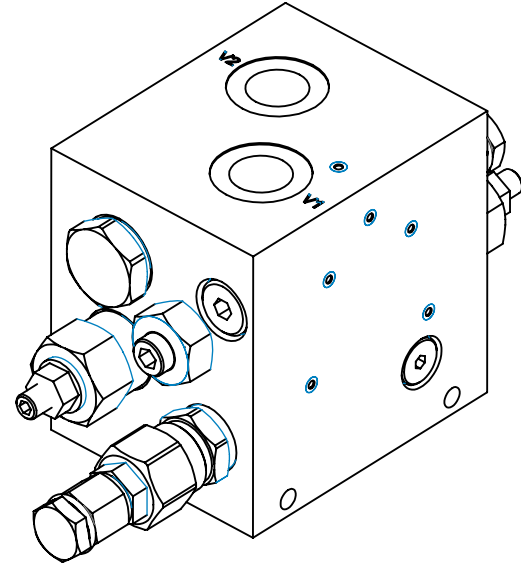
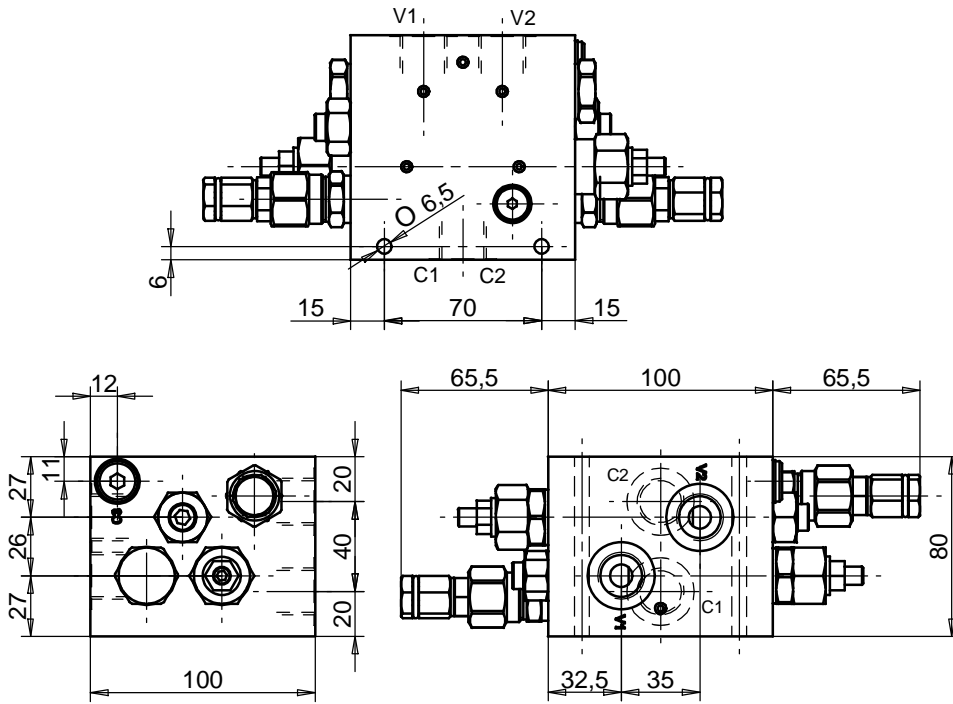
## Features

Max Flow	45 lpm
Max Pressure	270 bar
Pilot Ratio	4,2:1 Standard
Ports	V1-V2: G 3/8 C1-C2: G 3/8 C3: G 1/4
Std. Pressure range	100 - 350 bar

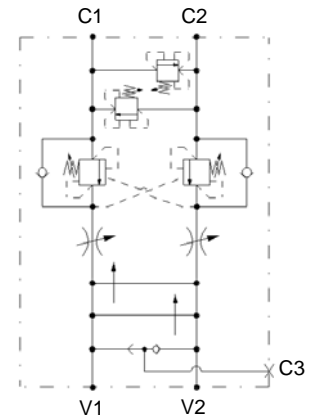
## Ordering Code

**VCRT 02**

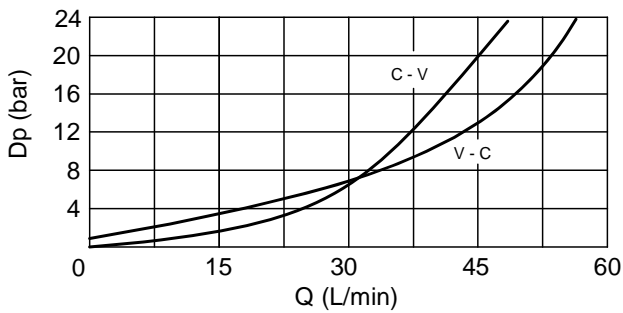
## Dimensions



## Hydraulic Symbol



## Curves



## Features

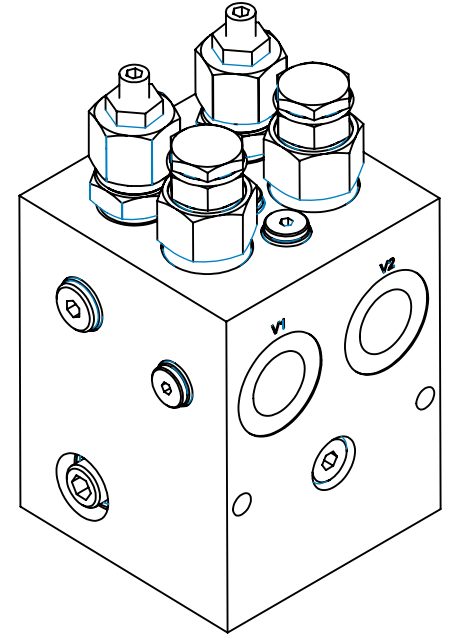
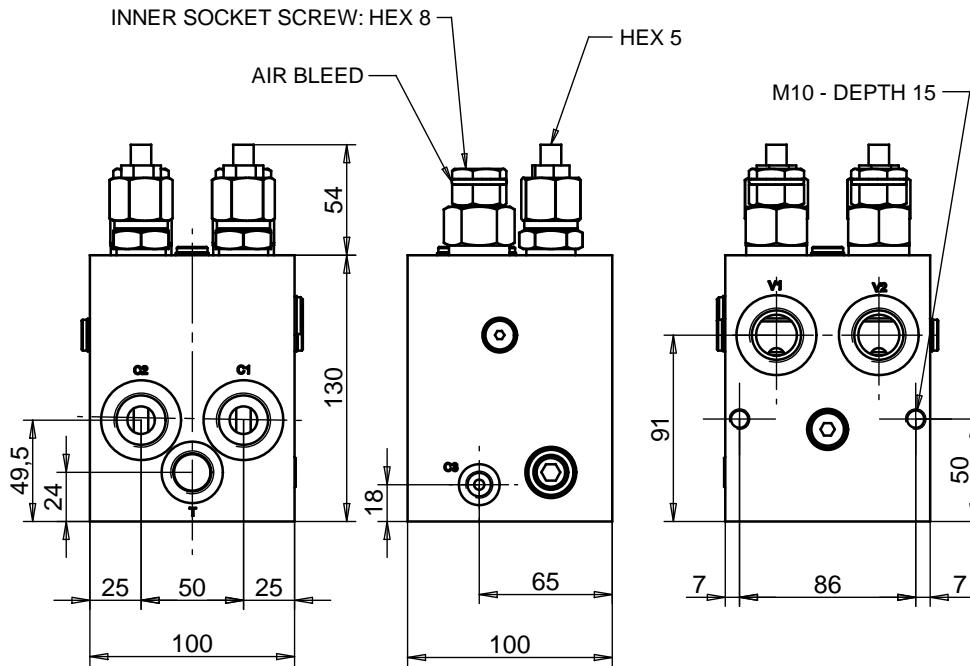
Max Flow	60 lpm
Max Pressure	270 bar
Pilot Ratio	4,2:1
Ports	V1-V2: G 1/2 C1-C2: G 1/2 C3: G 1/4
Std. Pressure range	100 - 350 bar

## Ordering Code

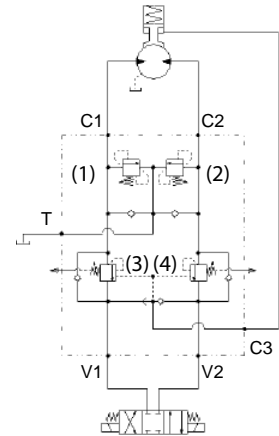
**VCRT 03**



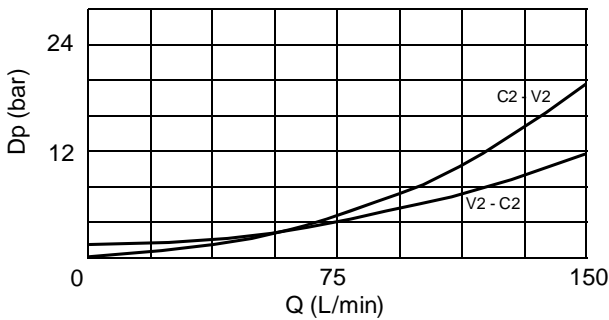
## Dimensions



## Hydraulic Symbol



## Curves



**Materials:** Zinc plated steel cartridge, hardened steel inner parts.  
Aluminium manifold.

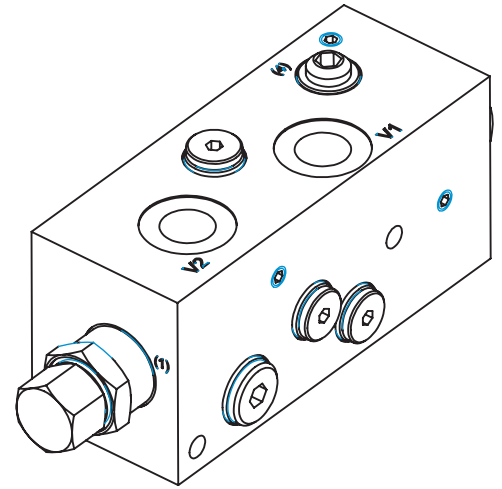
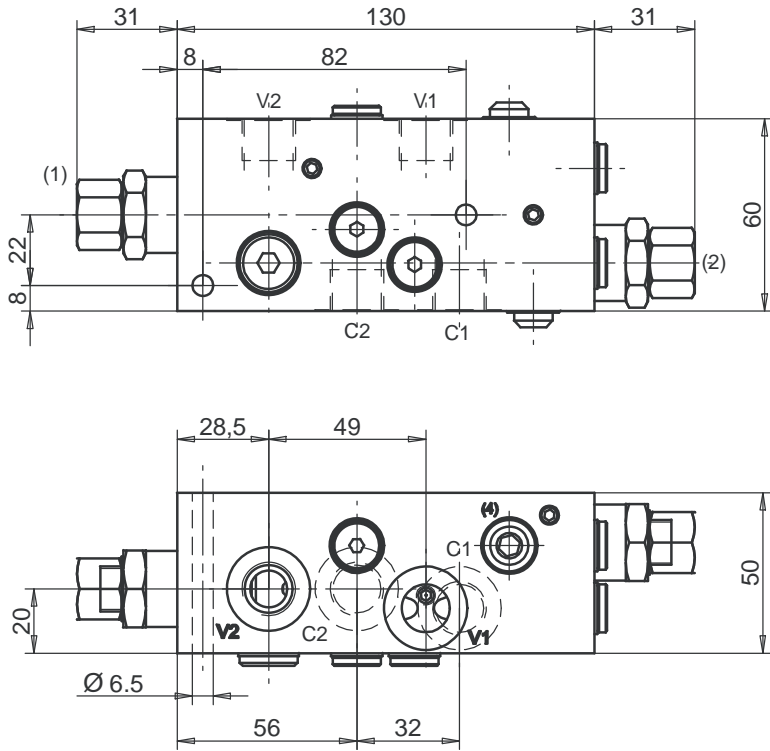
## Features

Max Flow	150 lpm
Max Pressure	250 bar
Pilot Ratio	4:1
Ports	V1-V2-C1-C2: G 3/4 T: G 1/2 C3: G 1/4
Std. Pressure range	(3)-(4) 100 - 350 bar (1)-(2) 140 - 350 bar

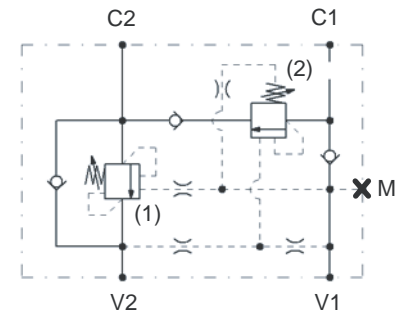
## Ordering Code

**VMOCL150CC 04**

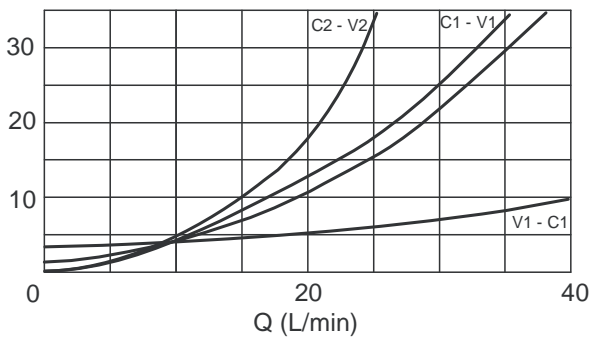
### Dimensions



### Hydraulic Symbol



### Curves



**Materials:** Zinc plated steel cartridge, hardened steel inner parts.  
Aluminium manifold.

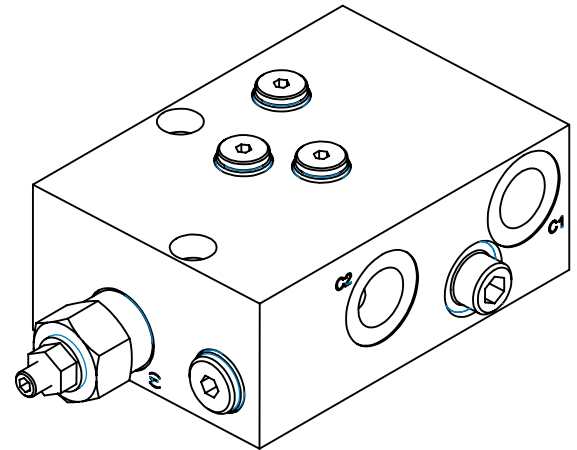
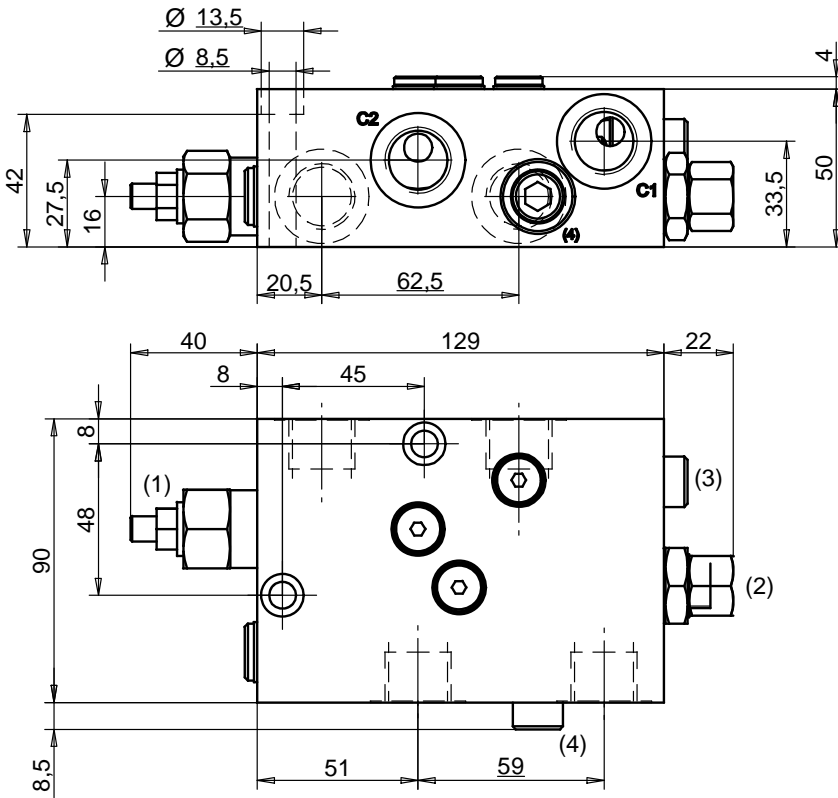
### Features

Max Flow	40 lpm
Max Pressure	350 bar
Ports	V1-V2: G 3/8 C1-C2: G 3/8
Pressure increase/turn	140 bar
Pilot Ratio	4:1
Std. Pressure range	100 - 350 bar

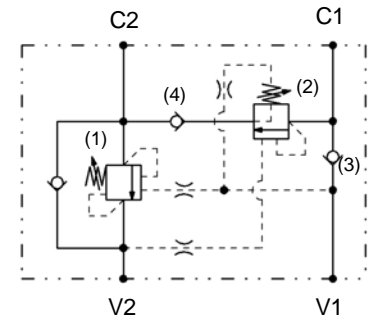
### Ordering Code

**CBDLRG 02**

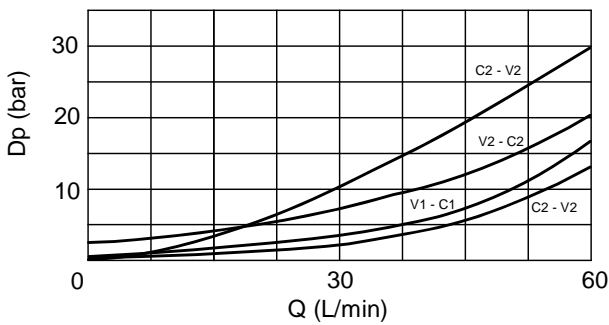
### Dimensions



### Hydraulic Symbol



### Curves



**Materials:** Zinc plated steel cartridge, hardened steel inner parts.  
Aluminium manifold.

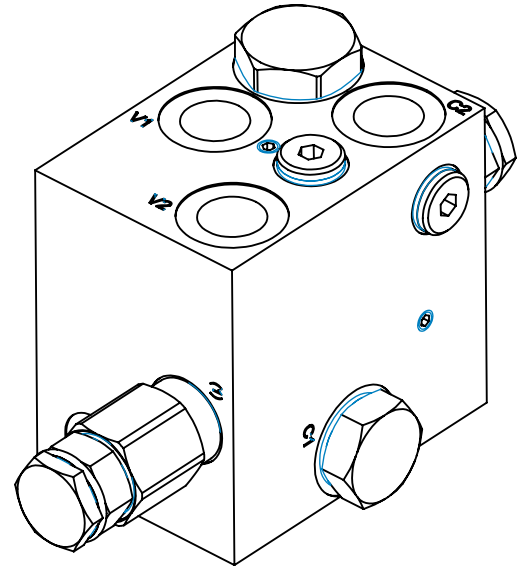
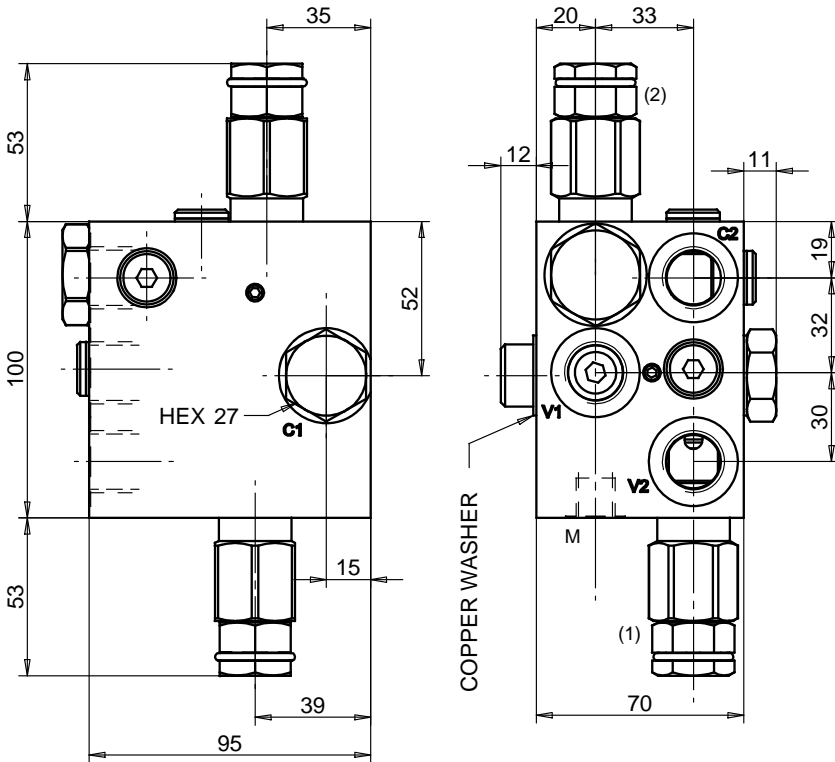
### Features

Max Flow	60 lpm	
Max Pressure	350 bar	
Ports	V1-V2: G 1/2 C1-C2: G 1/2	
	1	2
Pilot Ratio	4,2:1	4:1
Std. Pressure range	100 - 350 bar	100 - 350 bar

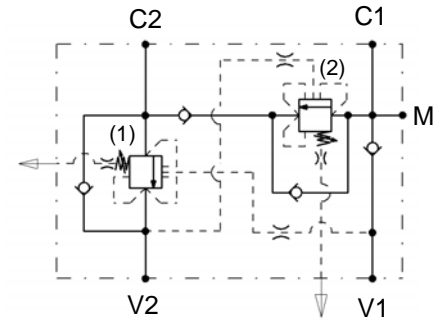
### Ordering Code

**CBDLRG 03**

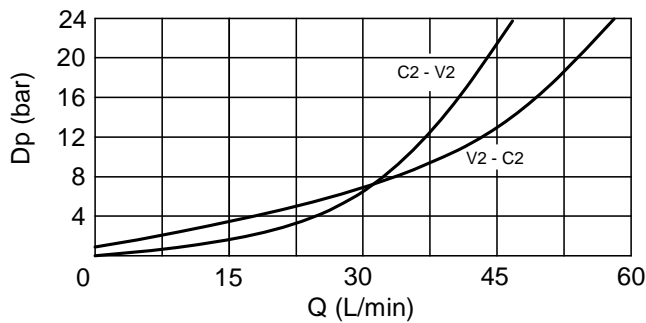
**Dimensions**



**Hydraulic Symbol**



**Curves**



**Materials:** Zinc plated steel cartridge, hardened steel inner parts.  
Aluminium manifold.

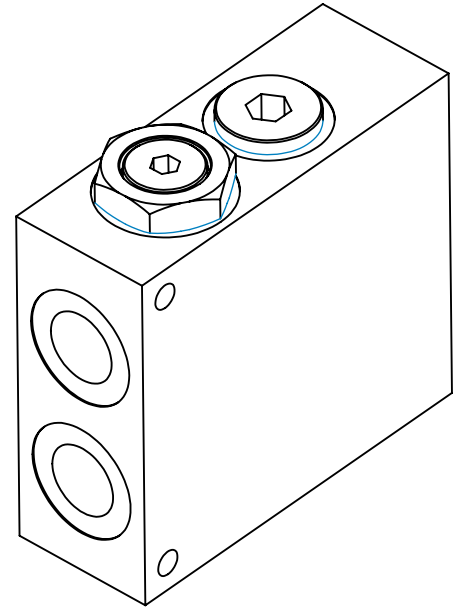
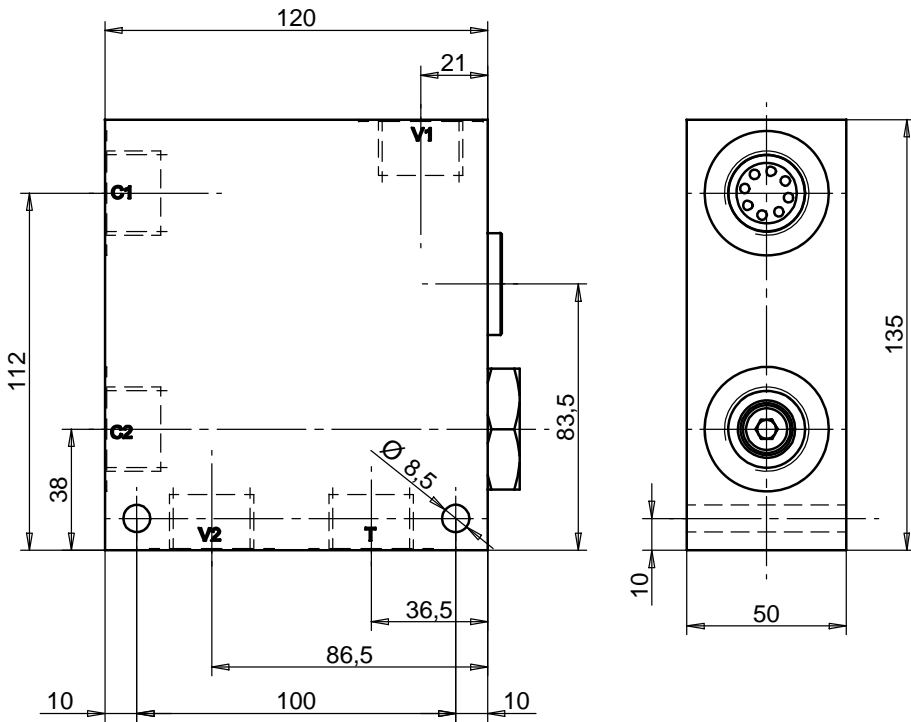
**Features**

<b>Max Flow</b>	40 lpm
<b>Max Pressure</b>	350 bar
<b>Ports</b>	V1-V2-C1-C2: G 1/2 M: G 1/4
<b>Pilot Ratio</b>	4,2:1
<b>Std. Pressure range</b>	100 - 350 bar

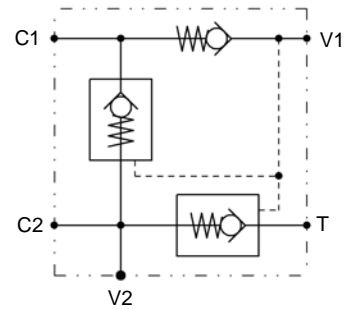
**Ordering Code**

**CBSLRGBFCC 03**

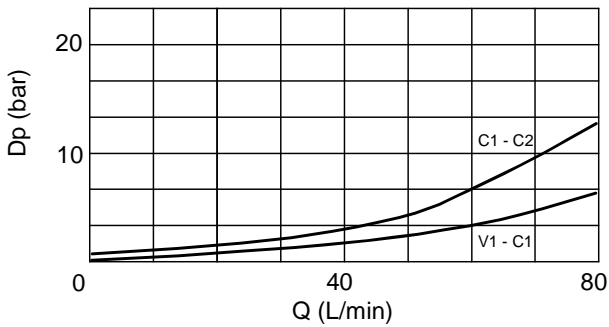
Dimensions



Hydraulic Symbol



Curves



Features

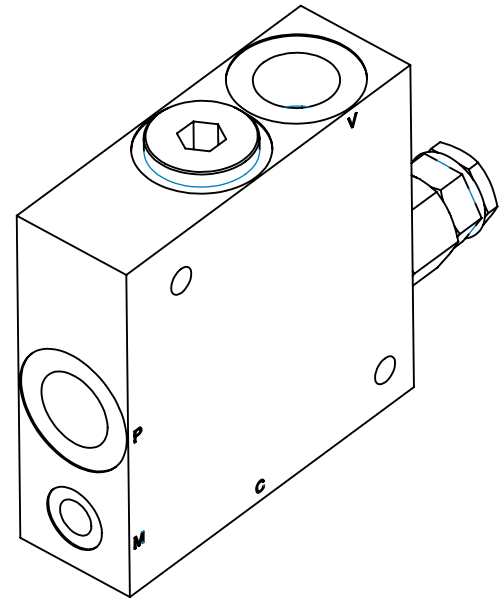
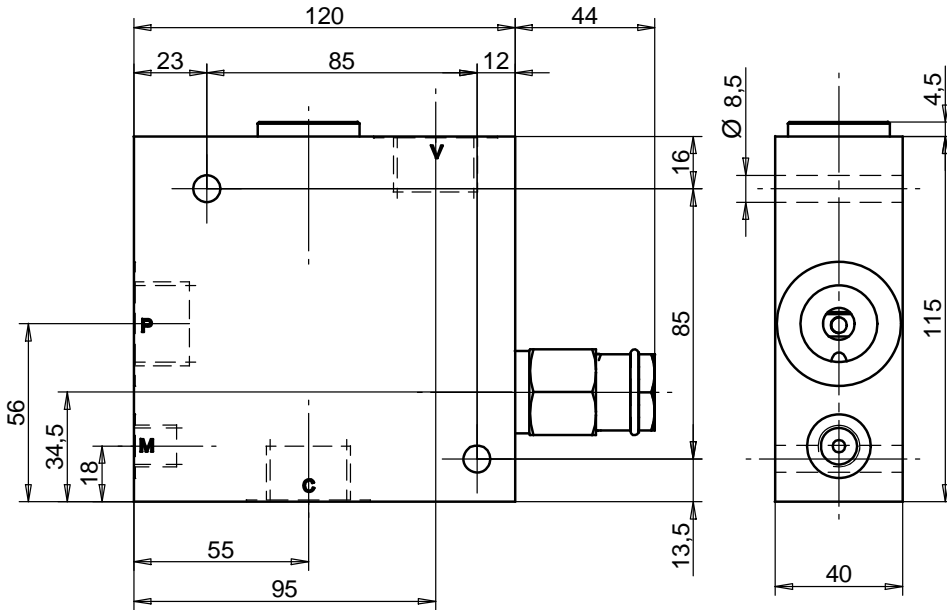
Max Flow	80 lpm
Max Pressure	350 bar
Ports	V1-V2-C1-C2-T: G 3/4

**Materials:** Zinc plated steel manifold, hardened steel inner parts.

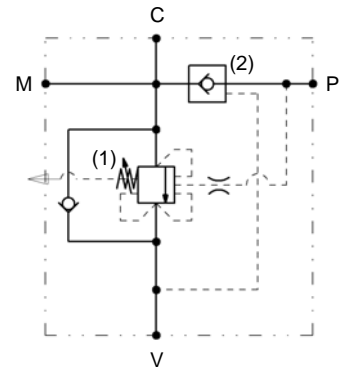
Ordering Code

RGV3R 04

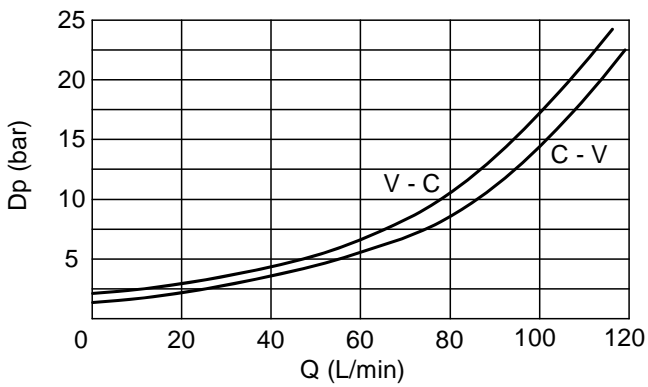
## Dimensions



## Hydraulic Symbol



## Curves



## Features

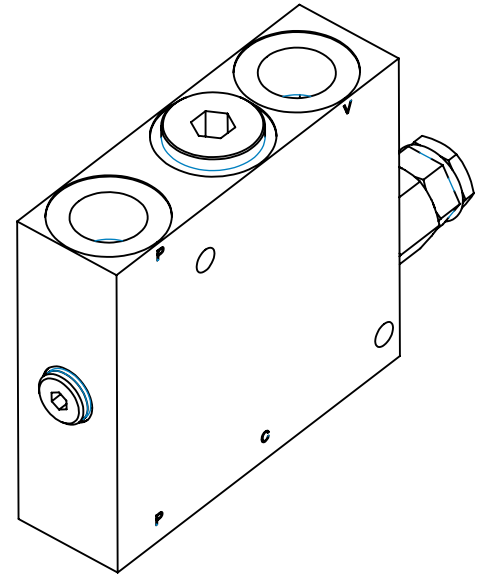
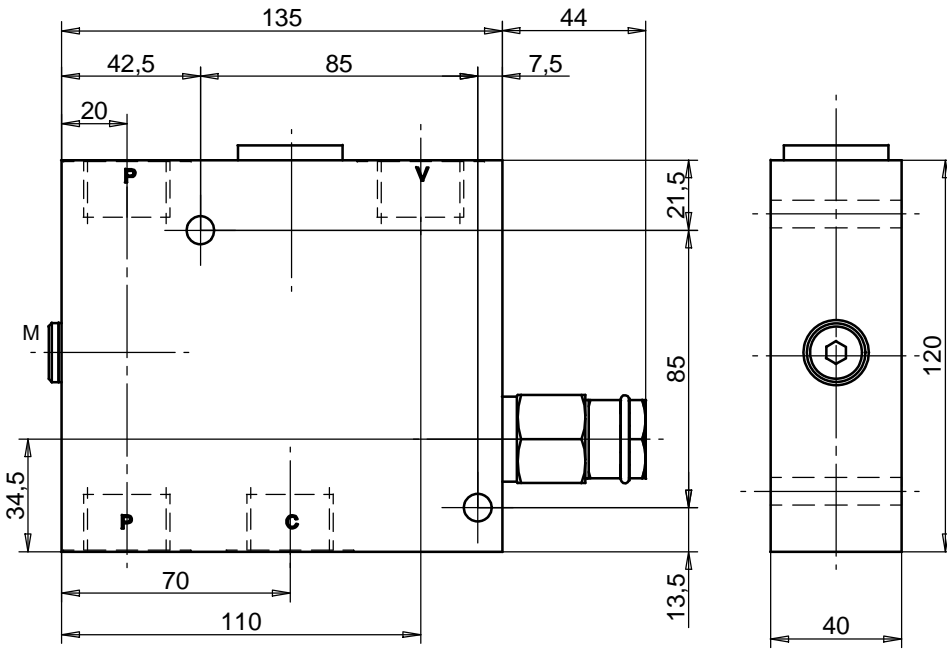
Max Flow	120 lpm	
Max Pressure	350 bar	
Ports	V-C-P: G 3/4 M: G 1/4	
Pilot Ratio	(1) 4,2:1	(2) 4:1
Std. Pressure range	100 - 350 bar	

**Materials:** Zinc plated steel manifold, hardened steel inner parts.

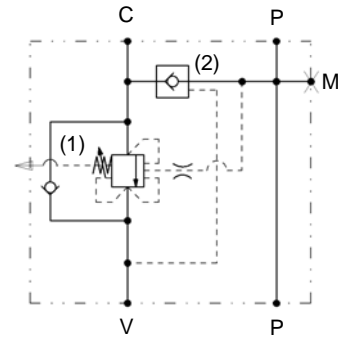
## Ordering Code

**CB90SLRGCC 04**

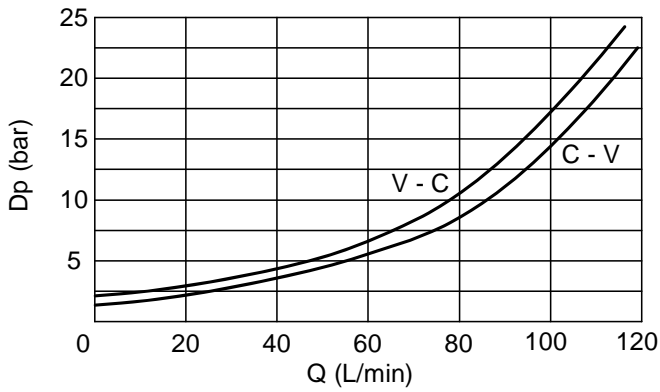
**Dimensions**



**Hydraulic Symbol**



**Curves**



**Features**

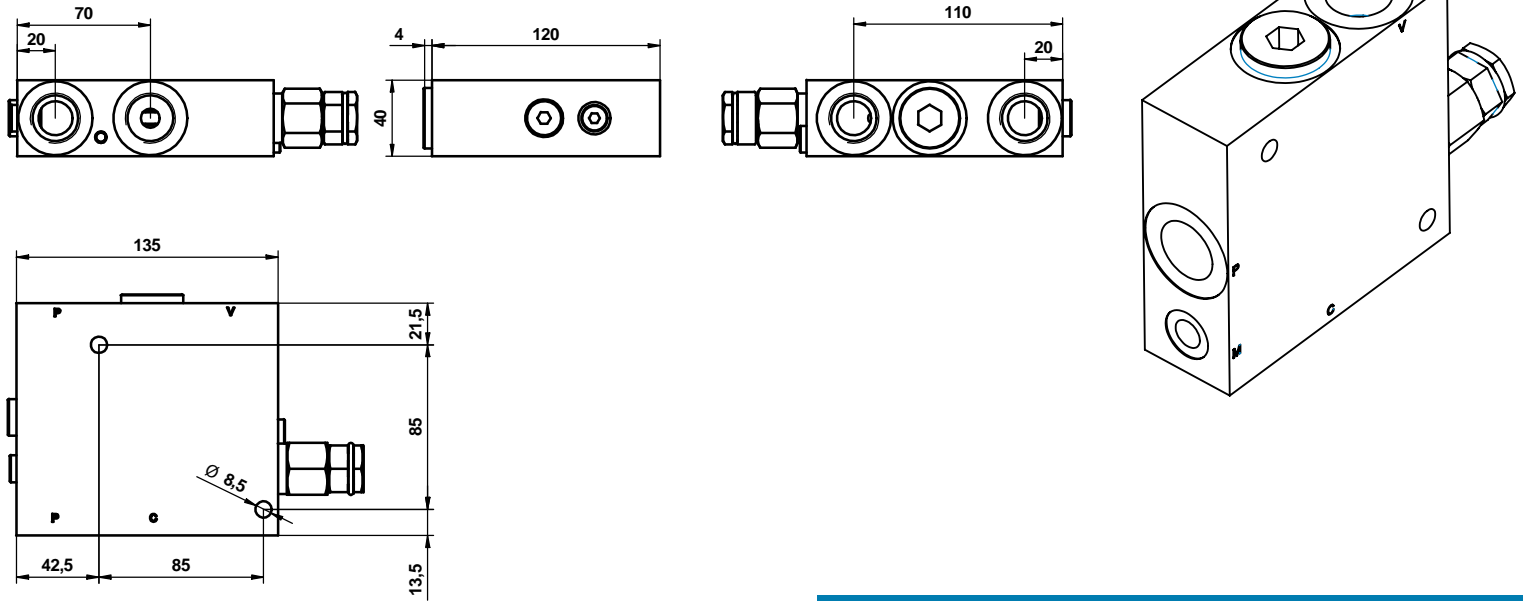
<b>Max Flow</b>	120 lpm	
<b>Max Pressure</b>	350 bar	
<b>Ports</b>	V-P-C: G 3/4 MP-MC: G 1/4	
<b>Pilot Ratio</b>	(1) 4,2:1	(2) 4:1
<b>Std. Pressure range</b>	100 - 350 bar	

**Materials:** Zinc plated steel manifold, hardened steel inner parts.

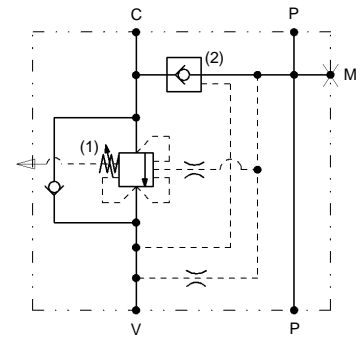
**Ordering Code**

**CB90SLRGTC 04**

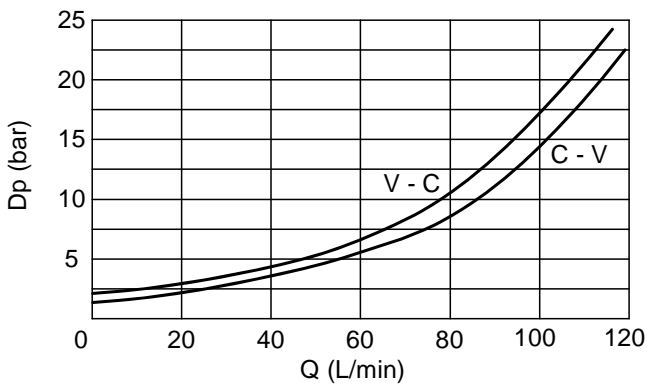
**Dimensions**



**Hydraulic Symbol**



**Curves**



**Materials:** Zinc plated steel manifold, hardened steel inner parts.

**Features**

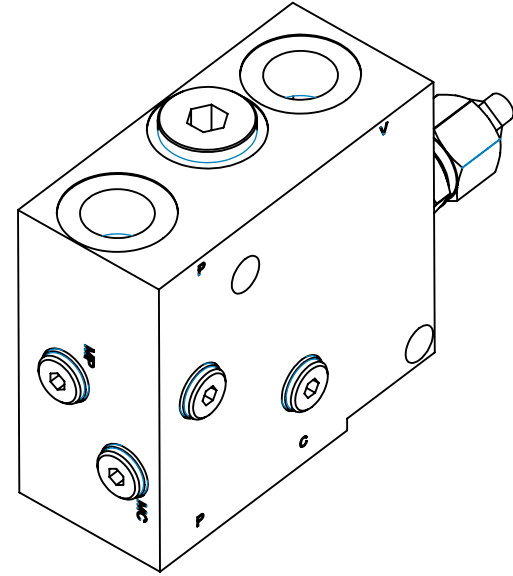
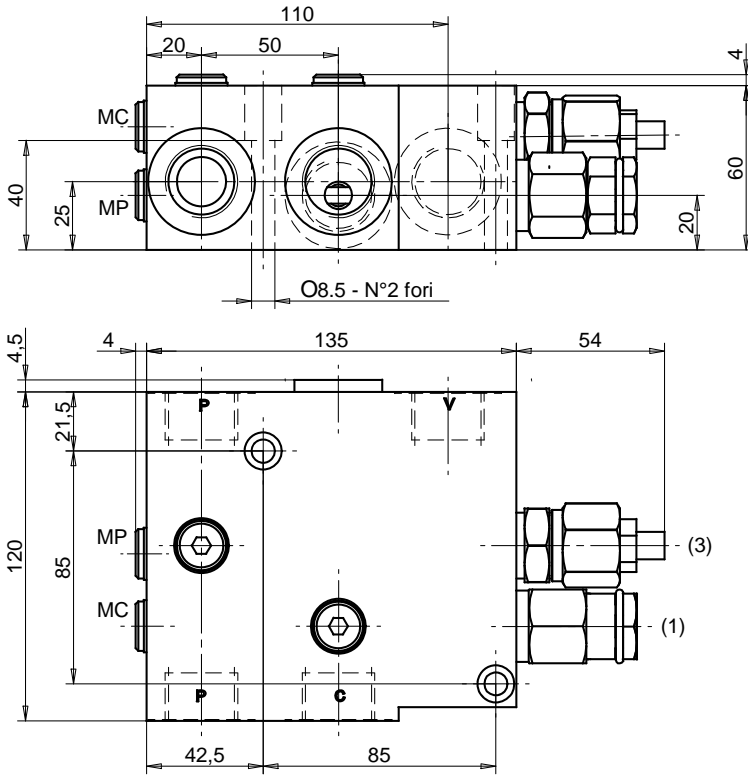
<b>Max Flow</b>	120 lpm	
<b>Max Pressure</b>	350 bar	
<b>Ports</b>	V-C-P: G 3/4 M: G 1/4	
<b>Pilot Ratio</b>	(1)	(2)
	2,1:1	4:1
<b>Std. Pressure range</b>	100 - 350 bar	

**Ordering Code**

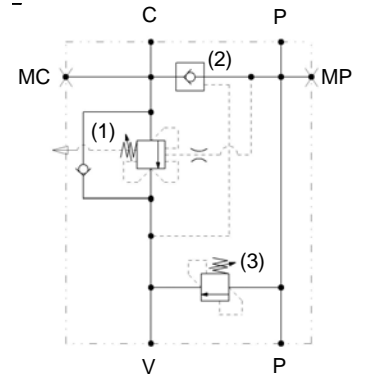
**CB90SLRGTCPPF04**



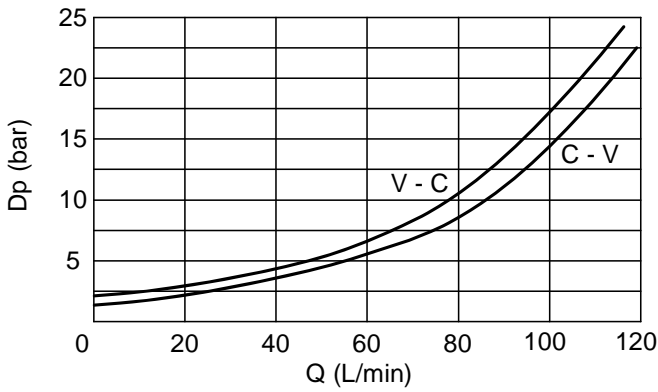
## Dimensions



## Hydraulic Symbol



## Curves



**Materials:** Zinc plated steel body

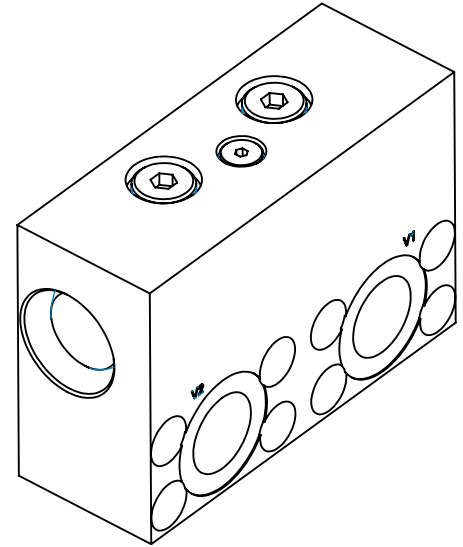
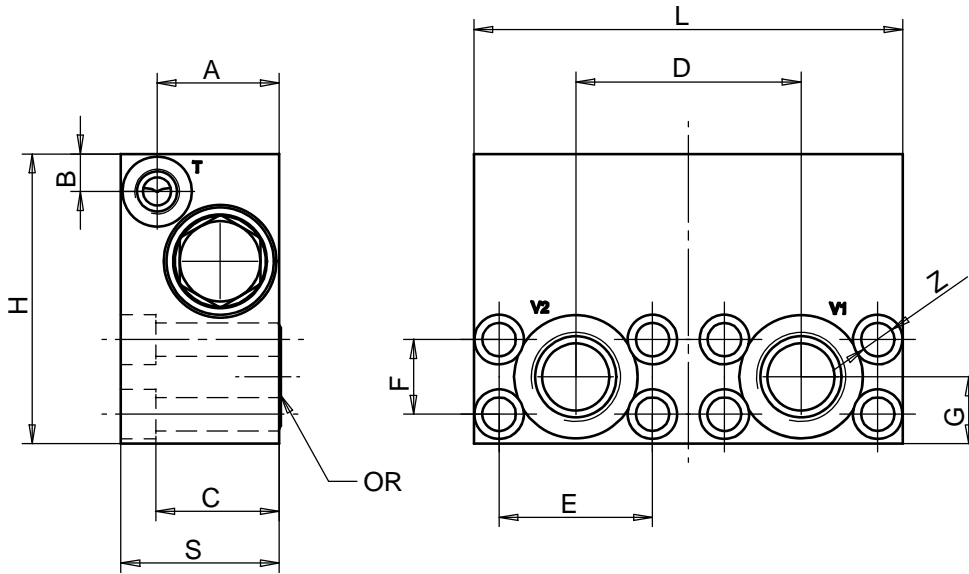
## Features

Max Flow	120 lpm		
Max Pressure	350 bar		
Ports	V-P-C: G 3/4 MP-MC: G 1/4		
Pilot Ratio	(1)	(2)	(3)
Std. Pressure range	4,2:1	4:1	-
	100 - 350 bar		130 - 350 bar

## Ordering Code

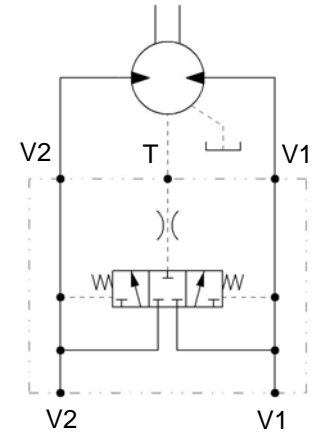
**CB90SLRGTPRCC 04**

Dimensions



Size	V1-V2	T	A	B	C	D	E	F	G	H	L	S	Z
05	G 1	G 3/8	45,5	14	46	84	57,2	27,8	24,9	108	160	59	12,5

Hydraulic Symbol



Features

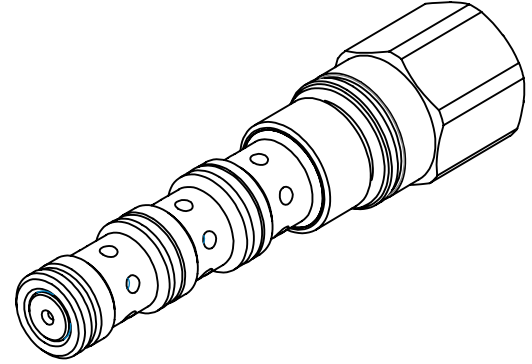
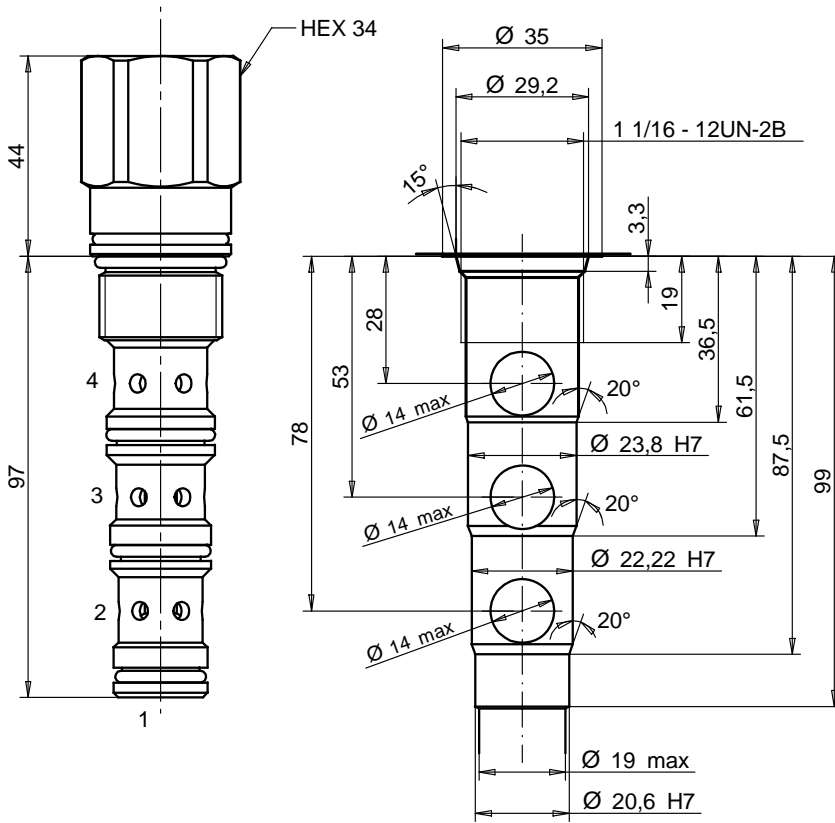
Size	05
Flushing Flow	10 -12 lpm
Flushing Pressure	20 - 30 bar
Max work. pressure	370 bar
OR	4131

Materials: Zinc plated steel body

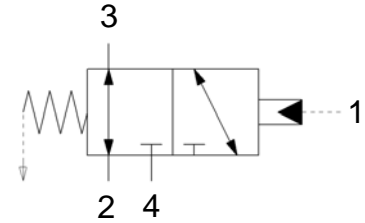
Ordering Code

VPURX 05

Dimensions



Hydraulic Symbol



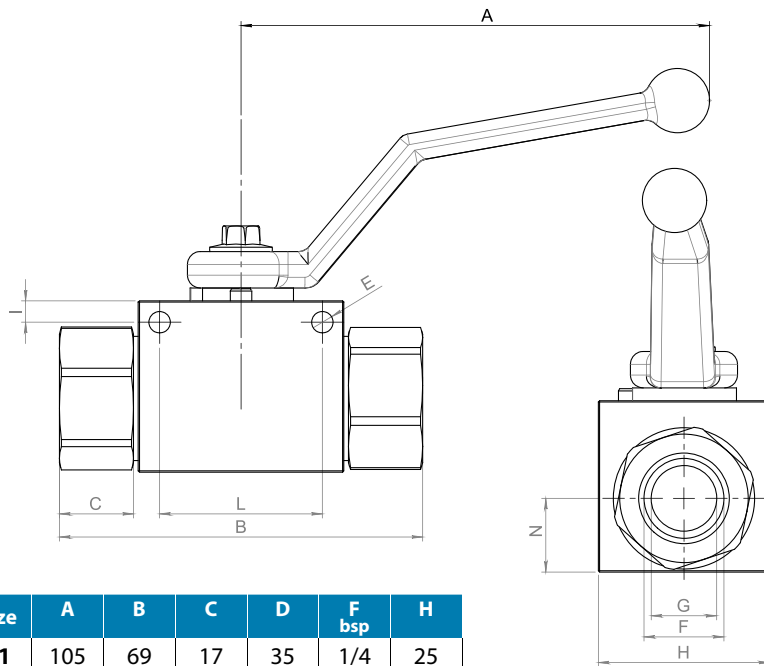
Features

Max Flow	120 lpm
Max Pressure	350 bar
Pilot pressure	11 bar
Installation torque	90 - 110 Nm

Ordering Code

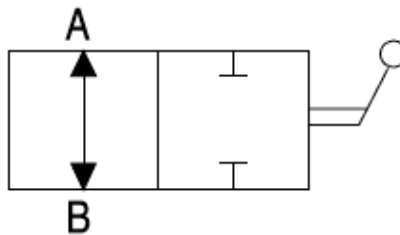
VD32CS 120

### Dimensions



Size	A	B	C	D	F bsp	H
<b>01</b>	105	69	17	35	1/4	25
<b>02</b>	105	73	15	40	3/8	30
<b>03</b>	105	86	19	40	1/2	40
<b>04</b>	160	97	17	55	3/4	55
<b>05</b>	160	114	24	60	1"	60
<b>06</b>	160	125	29	60	1" 1/4	60
<b>07</b>	160	125	29	60	1" 1/2	60

### Hydraulic Symbol



### Ordering Code

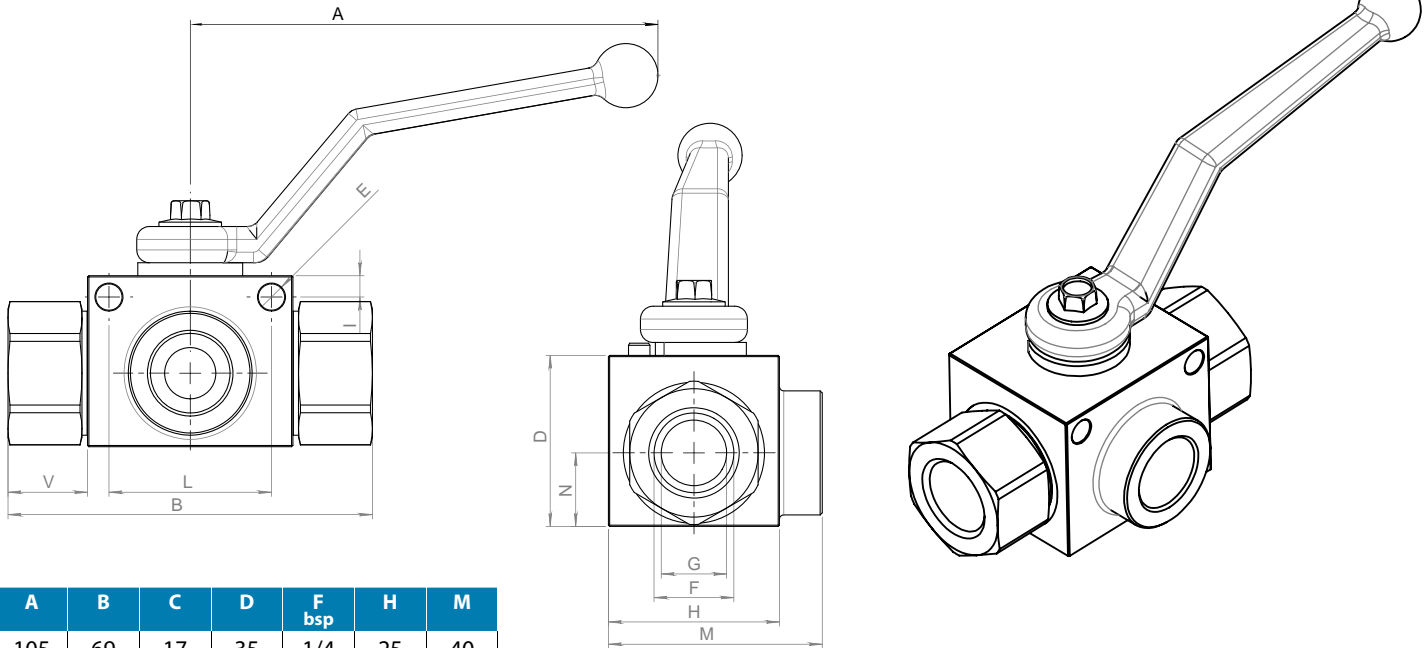
**BV2W**

--

#### Port Size BSP

<b>01</b>	1/4
<b>02</b>	3/8
<b>03</b>	1/2
<b>04</b>	3/4
<b>05</b>	1"
<b>06</b>	1" 1/4
<b>07</b>	1" 1/2

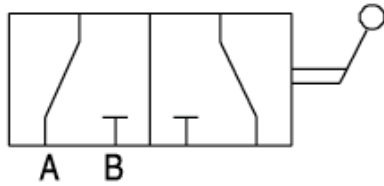
### Dimensions



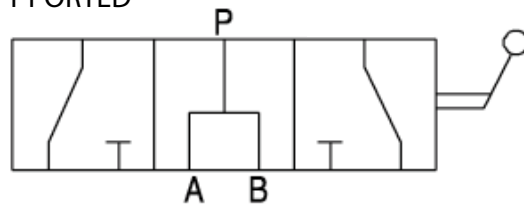
Size	A	B	C	D	F bsp	H	M
<b>01</b>	105	69	17	35	1/4	25	40
<b>02</b>	105	73	15	40	3/8	30	44
<b>03</b>	105	85	19	40	1/2	40	54
<b>04</b>	160	97	17	55	3/4	55	71
<b>05</b>	160	114	24	60	1"	60	84
<b>06</b>	160	125	29	60	1" 1/4	60	88
<b>07</b>	160	125	29	60	1" 1/2	60	88

### Hydraulic Symbol

L PORTED



T PORTED



### Ordering Code

**BV3W**

--

-

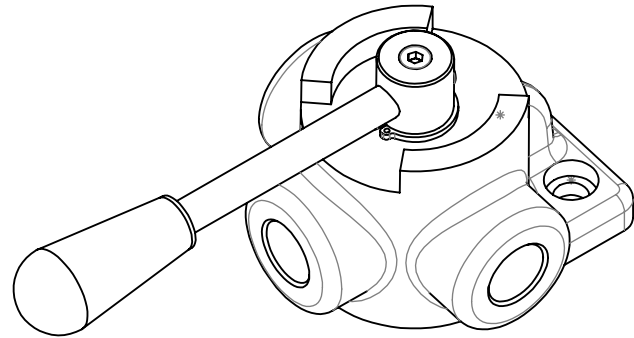
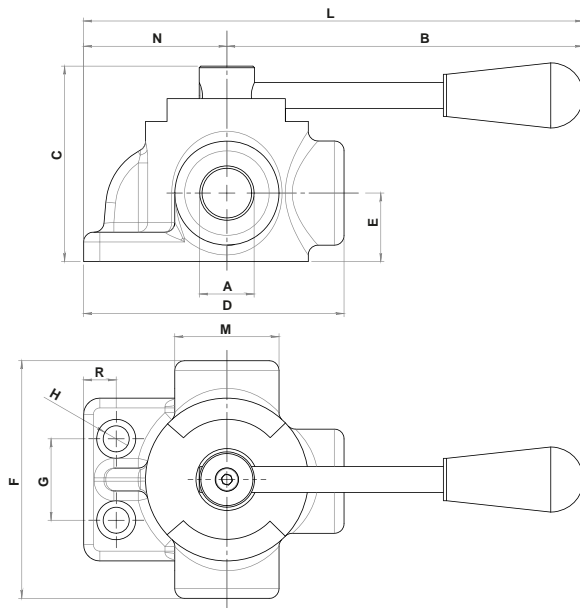
#### Port Size BSP

<b>01</b>	1/4
<b>02</b>	3/8
<b>03</b>	1/2
<b>04</b>	3/4
<b>05</b>	1"
<b>06</b>	1" 1/4
<b>07</b>	1" 1/2

#### Hydraulic symbol

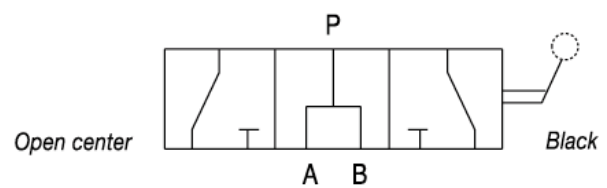
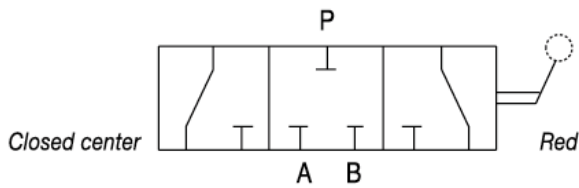
<b>L</b>	L Ported
<b>T</b>	T Ported

### Dimensions



Size	A BSP	B	C	D	E	F	G	H	L	M	N	Weight kg
<b>01</b>	1/4	128	62	77	21	73	24	8,5	169	35	41	0,95
<b>02</b>	3/8	128	62	77	21	73	24	8,5	169	35	41	0,89
<b>03</b>	1/2	128	70	96	25	85	32	10,5	180	40	52	1,45
<b>04</b>	3/4	125	80	100	28	90	32	10,5	180	45	55	1,82
<b>05</b>	1	140	90	115	32,5	96	32	11	207	56	67	2,50
<b>07</b>	1-1/2	140	115	145	44	130	43	11	220	80	80	6,20

### Hydraulic Symbol



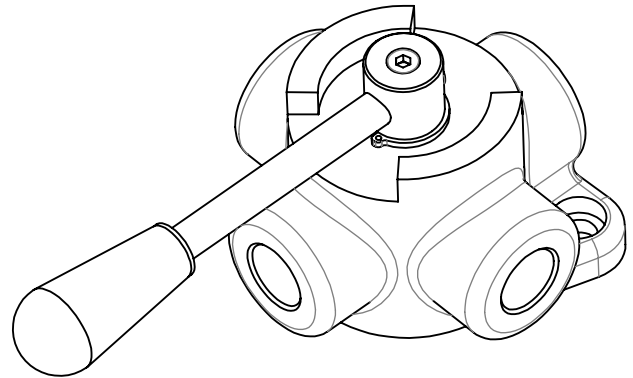
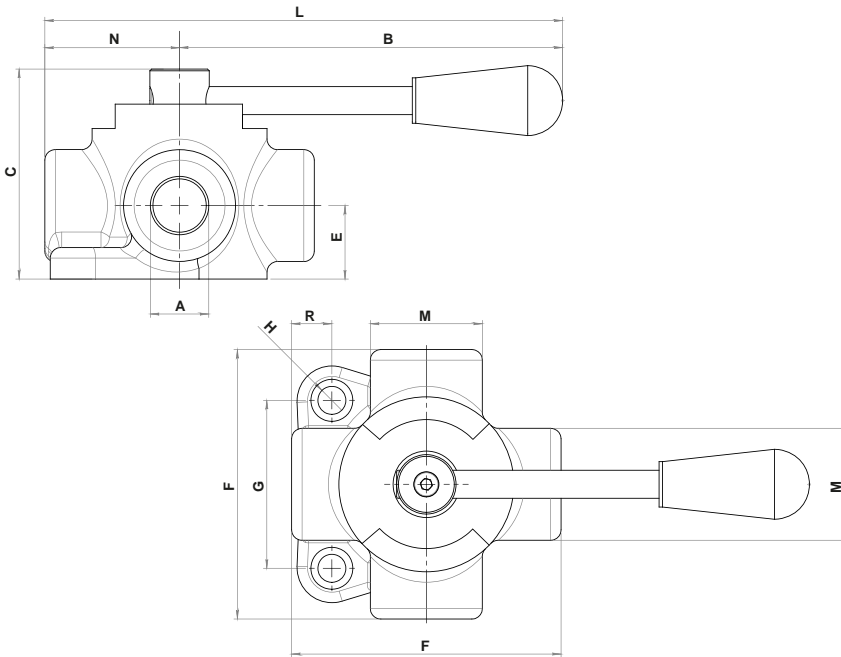
### Ordering Code

**FD3W**    --    -

Port Size BSP	
<b>01</b>	1/4
<b>02</b>	3/8
<b>03</b>	1/2
<b>04</b>	3/4
<b>05</b>	1"
<b>07</b>	1" 1/2

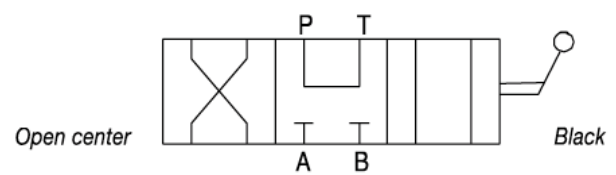
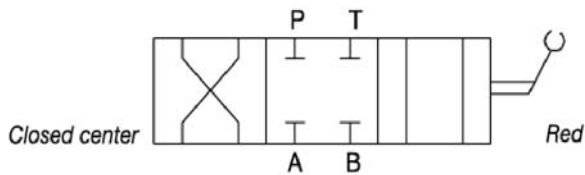
Hydraulic symbol	
<b>O</b>	Open Center
<b>C</b>	Closed Center

### Dimensions



Size	A BSP	B	C	E	F	G	H	L	M	N	R	Weight kg
<b>01</b>	1/4	126	70	24	77	53,5	8,5	165	35	39	11	1,33
<b>02</b>	3/8	126	70	24	77	53,5	8,5	165	35	39	11	1,27
<b>03</b>	1/2	123	80	28	90	68	8,5	168	42	45	10	1,87
<b>04</b>	3/4	145	90	32	95	74	8,5	195	49	50	12	2,50

### Hydraulic Symbol



### Ordering Code

**FD4W**

--

-

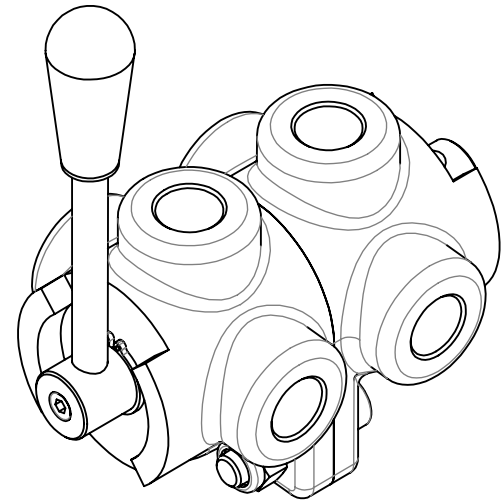
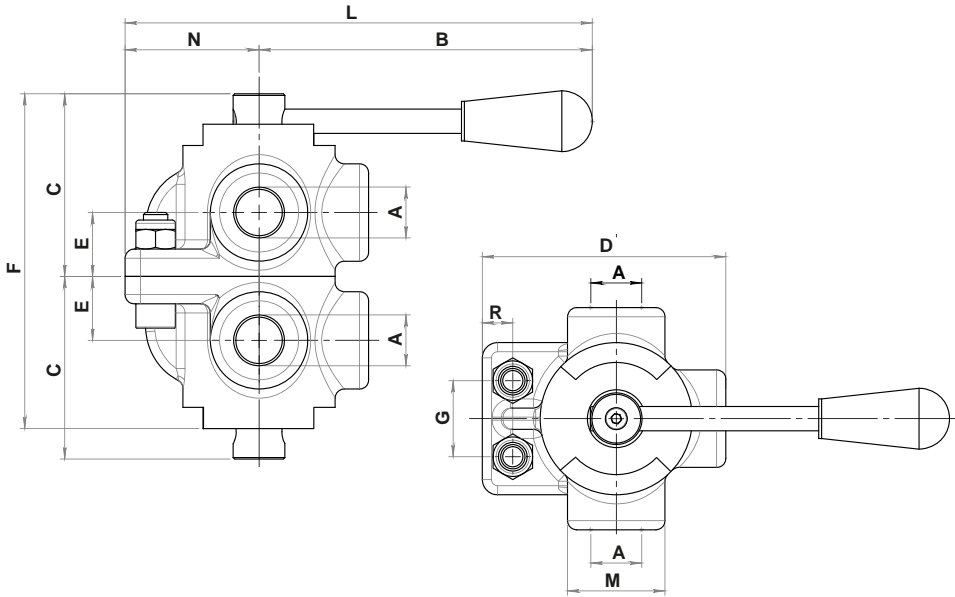
#### Port Size BSP

<b>01</b>	1/4
<b>02</b>	3/8
<b>03</b>	1/2
<b>04</b>	3/4

#### Hydraulic symbol

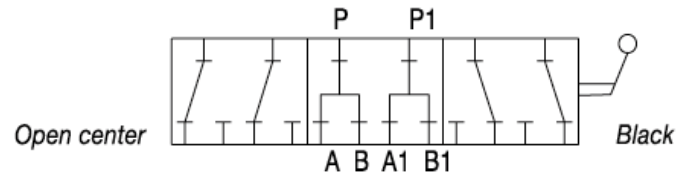
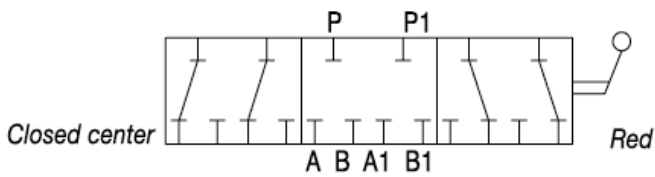
<b>O</b>	Open Center
<b>C</b>	Closed Center

### Dimensions



Size	A BSP	B	C	D	E	F	G	L	M	N	Weight kg
<b>01</b>	1/4	128	62	77	21	146	24	169	35	41	1,90
<b>02</b>	3/8	128	62	77	21	146	24	169	35	41	1,78
<b>03</b>	1/2	128	70	96	25	170	32	180	40	52	2,90
<b>04</b>	3/4	125	80	100	28	180	32	180	45	55	3,64
<b>05</b>	1	140	90	115	32,5	192	32	207	56	67	5,00

### Hydraulic Symbol



### Ordering Code

**FD6W**

-- -

#### Port Size BSP

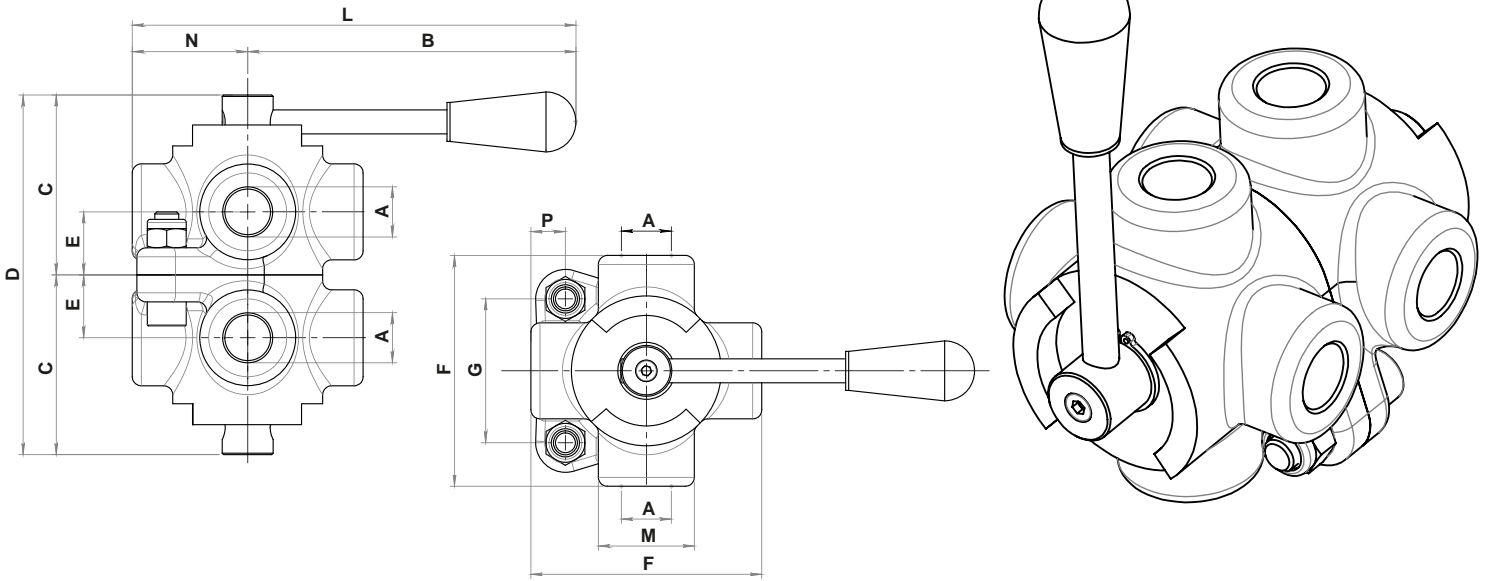
<b>01</b>	1/4
<b>02</b>	3/8
<b>03</b>	1/2
<b>04</b>	3/4
<b>05</b>	1"

#### Hydraulic symbol

<b>O</b>	Open Center
<b>C</b>	Closed Center

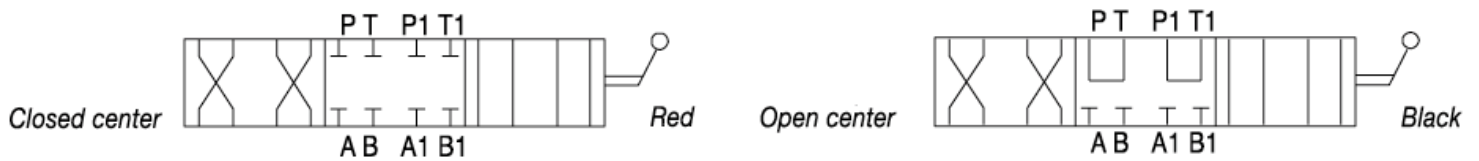


### Dimensions



Size	A BSP	B	C	D	E	F	G	L	M	N	R
<b>01</b>	1/4	126	70	140	24	77	53,5	165	35	39	11
<b>02</b>	3/8	126	70	140	24	77	53,5	165	35	39	11
<b>03</b>	1/2	123	80	160	28	90	68	168	42	45	10
<b>04</b>	3/4	145	90	180	32	95	74	195	49	50	12

### Hydraulic Symbol



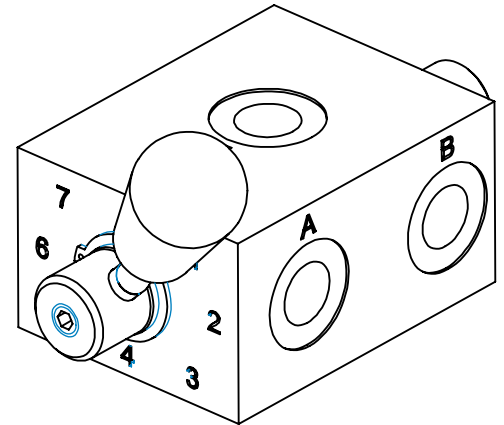
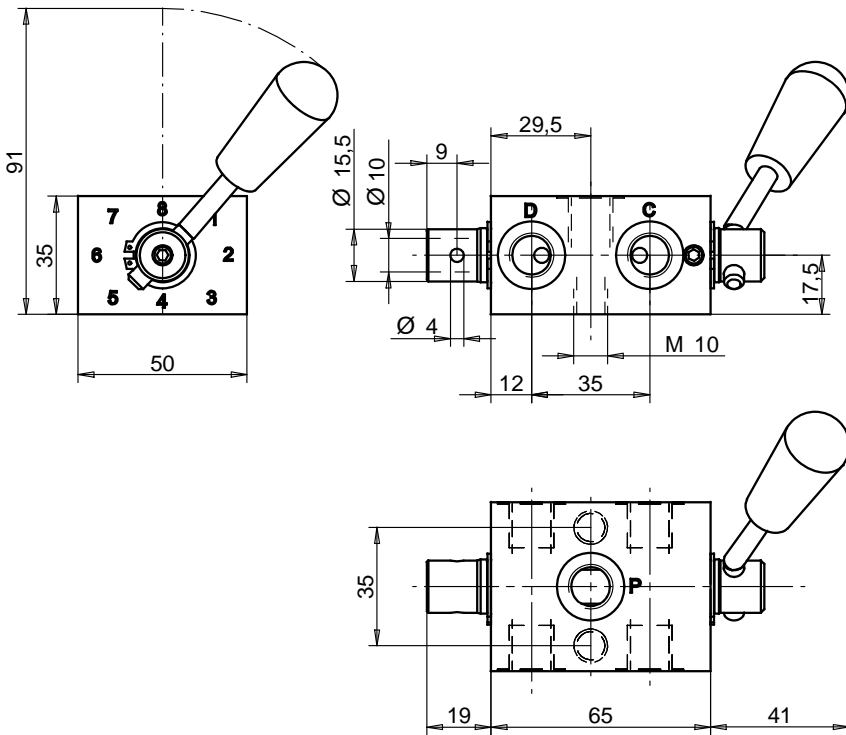
### Ordering Code

**FD8W**    --    -

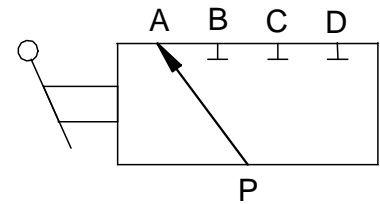
Port Size BSP	
<b>01</b>	1/4
<b>02</b>	3/8
<b>03</b>	1/2
<b>04</b>	3/4

Hydraulic symbol	
<b>O</b>	Open Center
<b>C</b>	Closed Center

Dimensions



Hydraulic Symbol



Features

Max Flow	40 lpm
Max Pressure	350 bar
Ports	P-A-B-C-D: G 1/4

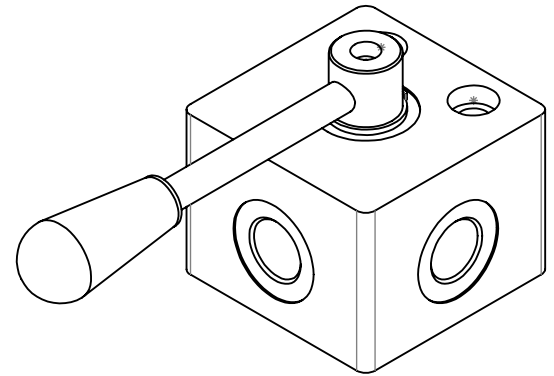
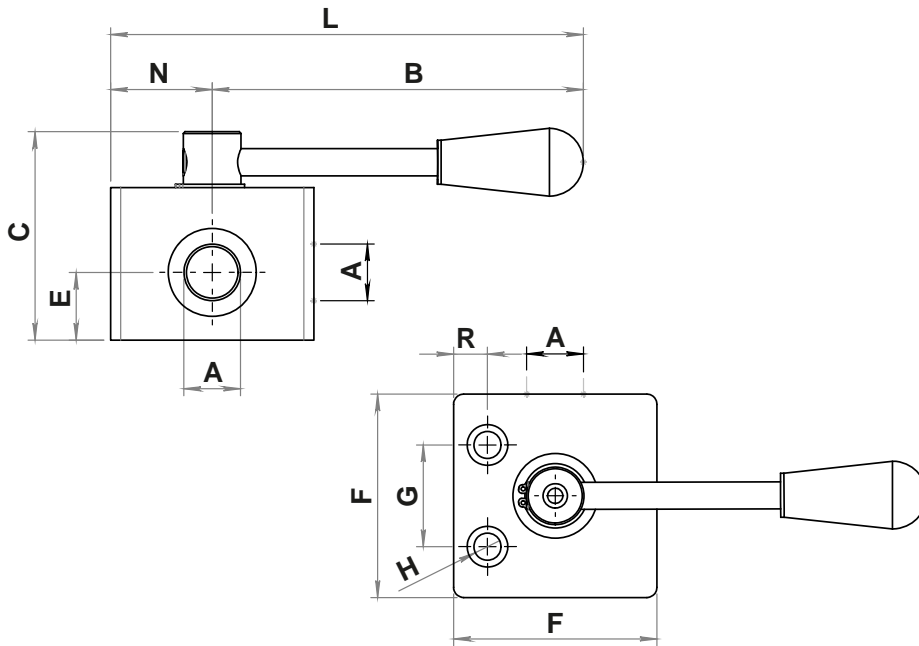
1	P ↔ Open → A	5	P ↔ Open → C
2	Closed	6	Closed
3	P ↔ Open → B	7	P ↔ Open → D
4	Closed	8	Closed

**Materials:** Zinc plated steel manifold, hardened steel inner parts.

Ordering Code

DEV58 01

### Dimensions



Size	A BSP	B	C	E	F	G	H	L	N	R	Weight kg
01	1/4	127	68	20	60	30	8,5	155	30	10	1,1
02	3/8	127	68	20	60	30	8,5	155	30	10	1,1
03	1/2	127	68	20	60	30	8,5	155	30	10	1,06
04	3/4	127	68	20	80	32	8,5	165	40	14	1,7
05	1	127	68	20	100	37	8,5	187	50	14	3,5

### Hydraulic Symbol



### Features

Size	01	02	03	04	05
Max Pressure	400 bar	400 bar	400 bar	400 bar	400 bar
Flow	40 lpm	60 lpm	90 lpm	120 lpm	190 lpm
Ports	G 1/4	G 3/8	G 1/2	G 3/4	G 1

### Ordering Code

**DEV32**

--

-

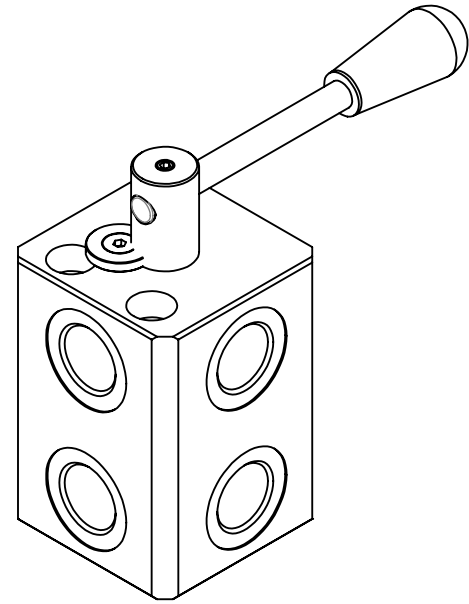
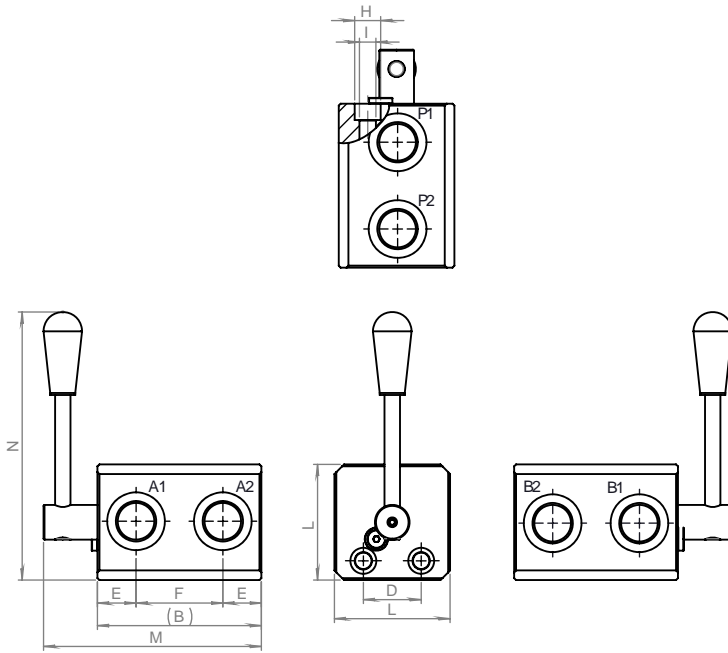
#### Port Size BSP

01	1/4
02	3/8
03	1/2
04	3/4
05	1

#### Hydraulic symbol

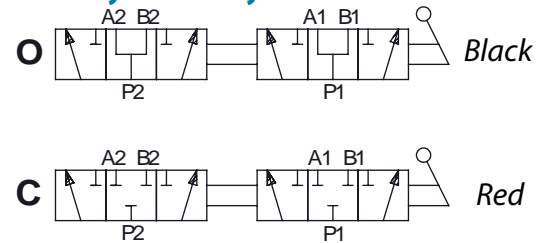
O	Open Center
C	Closed Center

### Dimensions



Size	BSP	B	D	E	F	H	I	L	M	N	Weight (kg)
02	3/8	85	30	20	45	13,5	8,5	60	113	125	2,13
03	1/2	85	30	20	45	13,5	8,5	60	113	125	2,10
04	3/4	85	30	20	45	13,5	8,5	80	113	125	3,67

### Hydraulic Symbol



### Features

Size	02	03	04
Max Pressure	350 bar	350 bar	350 bar
Flow	60 lpm	90 lpm	120 lpm

### Ordering Code

**DEV62**    --    -

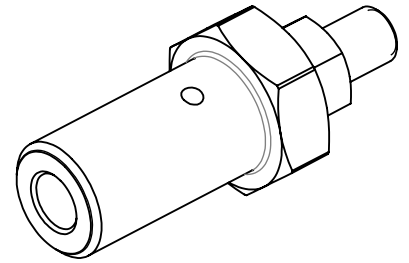
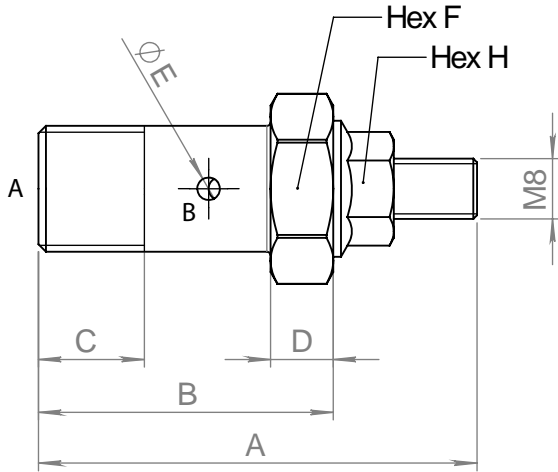
#### Port Size BSP

<b>02</b>	3/8
<b>03</b>	1/2
<b>04</b>	3/4

#### Hydraulic symbol

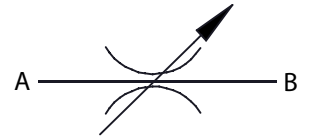
<b>O</b>	Open Center
<b>C</b>	Closed Center

Dimensions



Size	A	B	C	D	E	F	H	Weight kg
01	53	36	14	7,25	2,5	19	13	0,048
02	58	39	14	8,30	3	22	13	0,076
03	64	46	16	8,30	4	27	13	0,120

Hydraulic Symbol



Curves

Features

**Materials:** Zinc plated steel cartridge

Ordering Code

THR

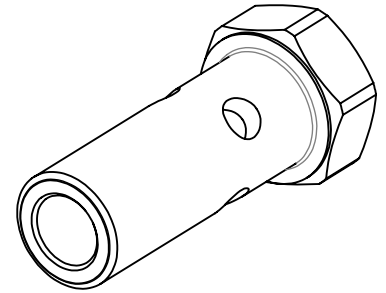
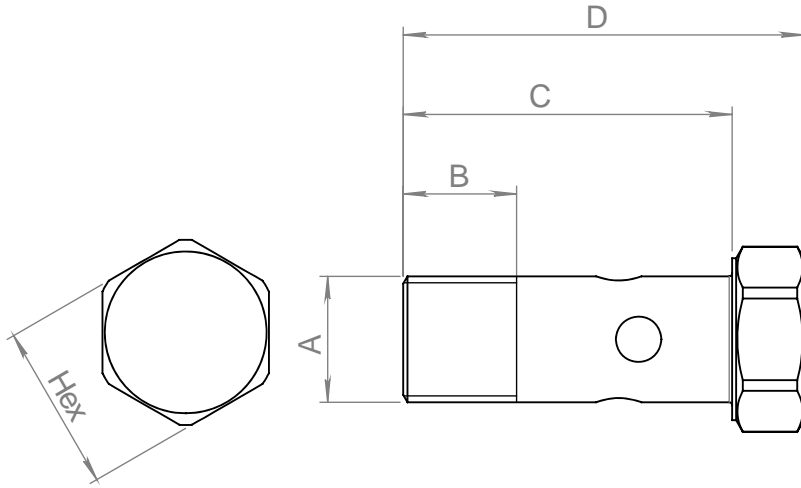
--

Screw Size BSP

01	1/4
02	3/8
03	1/2

Ordering Code Example: THR02 = 3/8 Screw Size

**Dimensions**



**Hydraulic Symbol**

Size	A	B	C	D	Hex	Weight kg
<b>14</b>	1/4	13	26	33	19	0,030
<b>38</b>	3/8	15	31	39	22	0,056
<b>12</b>	1/2	18	38	46	27	0,087

**Curves**

**Features**

**Materials:** Zinc plated steel.

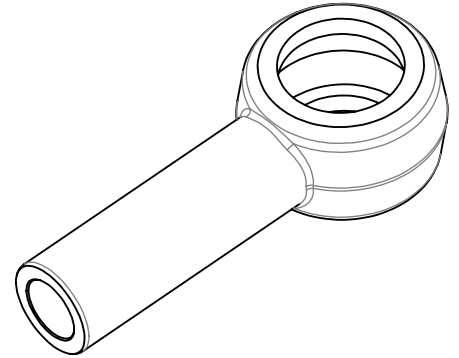
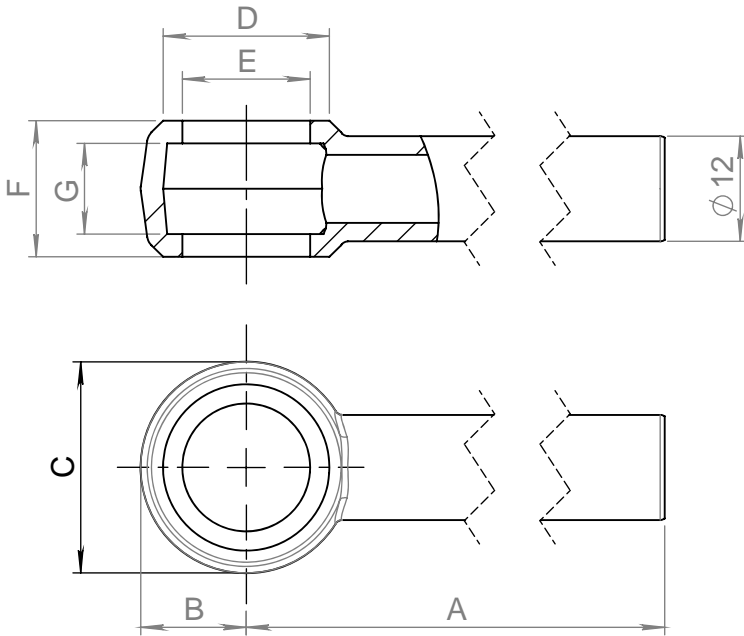
**Ordering Code**

**BOLT** --

Screw Size BSP	
<b>14</b>	1/4
<b>38</b>	3/8
<b>12</b>	1/2

**Ordering Code Example:** THR02 = 3/8 Screw Size

### Dimensions



### Hydraulic Symbol

Size	A	B	C	D	E	F	G
14	*	10	24	17	13	15	9
38	*	12	28	22	16,9	18	7

\* For dimension **A**, see the **Ordering Code** section below.

**Materials:** Zinc plated steel.

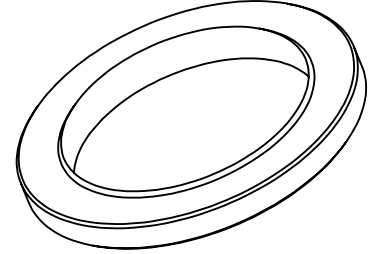
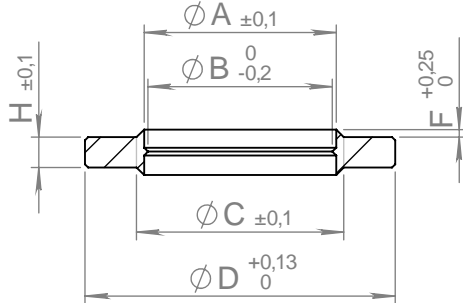
### Ordering Code

**TUBE** -- **12** --

	Screw Size BSP
<b>14</b>	1/4
<b>38</b>	3/8

Center to center Length (mm)	14	38
	A	A
<b>38</b>	38	-
<b>40</b>	-	40
<b>45</b>	45	-
<b>60</b>	60	60
<b>100</b>	100	100
<b>150</b>	150	150
<b>200</b>	200	200
<b>250</b>	250	250
<b>300</b>	300	300
<b>350</b>	350	350
<b>400</b>	400	400
<b>450</b>	450	450
<b>500</b>	500	500

**Ordering Code Example:** TUBE3812350 = Tube Size 3/8", Ø 12 mm, "A" length (center to center) 350 mm.

**Dimensions**


Size	THREAD BSP	A	B	C	D	F	H	MINIMUM BURST PRESSURE (bar)
01	1/4	13,74	11,45	15,21	20,57	0,3	2,1	1550
02	3/8	17,28	14,96	18,75	23,80	0,3	2,1	1260
03	1/2	21,54	18,64	23,01	28,58	0,4	2,5	1150
04	3/4	27,05	24,13	28,53	34,93	0,4	2,5	1060
05	1	33,89	30,30	36,88	42,80	0,5	3,4	790
06	1-1/4	42,93	38,96	45,93	52,38	0,5	3,4	690
07	1-1/2	48,44	44,86	51,39	58,60	0,5	3,4	690

**Curves**
**Features**
**Materials:** Zinc plated steel ring, BUNA-N seals

**Ordering Code**

<b>BS</b>	--
-----------	----

	Size BSP
<b>01</b>	1/4
<b>02</b>	3/8
<b>03</b>	1/2
<b>04</b>	3/4
<b>05</b>	1
<b>06</b>	1 1/4
<b>07</b>	1 1/2







**OMPI S.R.L. VIA SALVO D'ACQUISTO, 10 - 42020 ALBINEA (RE) ITALY**

**TEL +39 0522 347247 - FAX +39 0522 347259**

**ofc@ofc-hydraulics.com - www.ofc-hydraulics.com**